

# Device/PLC Connection Manuals

---



## About the Device/PLC Connection Manuals

Prior to reading these manuals and setting up your device, be sure to read the "Important: Prior to reading the Device/PLC Connection manual" information. Also, be sure to download the "Preface for Trademark Rights, List of Units Supported, How to Read Manuals and Documentation Conventions" PDF file. Furthermore, be sure to keep all manual-related data in a safe, easy-to-find location.



(Continued from previous page)

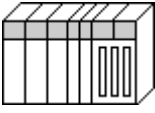
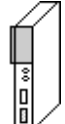


\* FA500 and equipment (Digital Indicating Controller, <UT37/38/2000> and Recorder, <μR-Series>...etc) supporting the same protocol are hereafter referred to as *PA Equipment*.

- Be sure to use only one GP in the system.
- In the Link above, maximum 32 PA Equipment can be connected to one GP.
- When Sequence Control is not required, a PLC is not needed.
- Using the method above, Unit No. s 1~16 can be setup; a Unit No. of 17 or higher cannot be used.



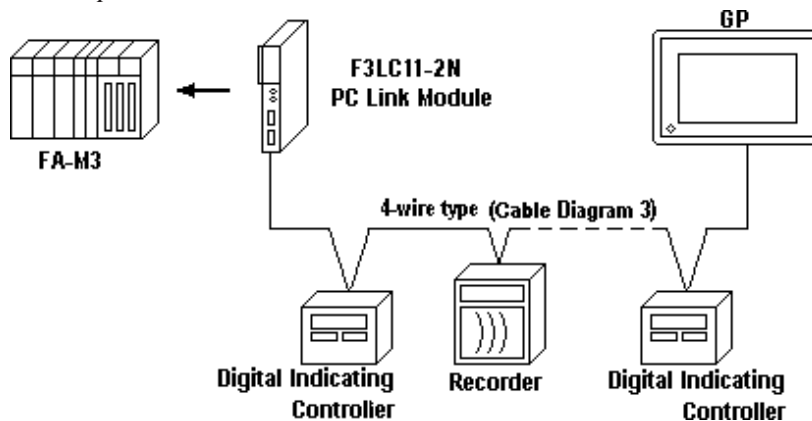
Wherever RS-422 appears in the table, RS-485 can be used on the PLC.

■ **FACTORY ACE Series/FA-M3 (using Link I/F)**

CPU	Link I/F	Cable Diagram	Cables	GP
	 PC Link Module			
F3SP10-0N	F3LC01-1N	RS-232C (Cable Diagram 4)		GP Series
F3SP20-0N, F3SP21-0N, F3SP25-2N, F3SP28-3N, F3SP30-0N, F3SP35-5N, F3SP38-6N, F3SP53-4H, F3SP58-6H, F3FP36-3N, F3SP28-3S, F3SP38-6S, F3SP53-4S, F3SP58-6S, F3SP59-7S	F3LC11-1N	RS-232C (Cable Diagram 4)		
	F3LC11-1F			
	F3LC12-1F			
	F3LC11-2N	RS-422 (4-wire type) (Cable Diagram 2)		
		RS-422 (2-wire type) (Cable Diagram 5)		
	F3LC11-2N	RS-422, 4-wire type 1:n communication <sup>*1</sup> (Cable Diagram 3)		
		RS-422, 2-wire type 1:n communication (Cable Diagram 6)		

**\* 1:n Communication**

The system structure of 1:n communication for Yokogawa PLCs (FA-M3), or equipment supporting its protocol (n#), and a GP unit (1) used as an upper link protocol is described here.



(See next page)

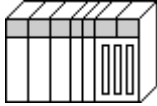


\* FA-M3 and equipment (Digital Indicating Controller, <UT37/38/2000> and Recorder, <mR-Series>...etc) supporting the same protocol is referred to as *PA Equipment*, below.

- *Be sure to use only one GP in the system.*
- *In the Link above, maximum 32 PA Equipment can be connected to one GP.*
- *When Sequence Control is unnecessary, the system structure can be created without the PLC.*
- *Using the method above, Unit No.s 1~16 can be setup, however a Unit No. of 17 or more cannot be used.*



Wherever RS-422 appears in the table, RS-485 can be used on the PLC.

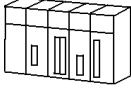



### ■ FACTORY ACE Series/FA-M3 (CPU Direct Connection)

CPU	Cables	GP
		
F3SP21-0N, F3SP25-2N, F3SP28-3N, F3SP35-5N, F3SP38-6N, F3SP53-4H, F3SP58-6H, F3SP28-3S, F3SP38-6S, F3SP53-4S, F3SP58-6S, F3SP59-7S	Yokogawa's cable for programming tool KM11- 2N*A	GP Series

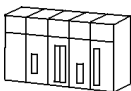
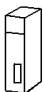

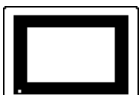


Two GP units cannot be connected at the same time using the PC Link I/F.

**■ STARDOM Standalone Controller FCN/FCJ Series (When using Yokogawa Electric FCN/FCJ ModbusRTU 1:n Protocol)**

CPU	Link I/F	Cable Diagram	Target Unit
			
FCN	COM Port on CPU	RS-232C (Cable Diagram 7)	GP/GLC/ST Series, Factory Gateway
	RS232C Port 1 or 2 on NFLR111 RS232C Communication Module	RS-232C (Cable Diagram 8)	
	Communication Terminal Block on NFLR121 RS422/RS485 Communication Module	RS-422 (4-wire) (Cable Diagram 9)	
		RS-422 (4-wire) 1:n Communication (Cable Diagram 10)	
		RS-422 (2-wire) (Cable Diagram 11)	
RS-422 (2-wire) 1:n Communication (Cable Diagram 12)			
FCJ	COM Port 1 or 2 on CPU	RS-232C (Cable Diagram 7)	GP/GLC/ST Series, Factory Gateway

**■ STARDOM Standalone Controller FCN/FCJ Series (When using Yokogawa Electric FACTORY ACE 1:1, FACTORY ACE 1:n Protocol)**

CPU	Link I/F	Cable Diagram	Target Unit
			
FCN	COM Port on CPU	RS-232C (Cable Diagram 4)	GP/GLC/ST Series, Factory Gateway
FCJ	COM Port 1 or 2 on CPU		

## 2 Cable Diagrams

The cable diagrams illustrated below and the cable diagrams recommended by Yokogawa Electric may differ, however, using these cables for your PLC operations will not cause any problems.

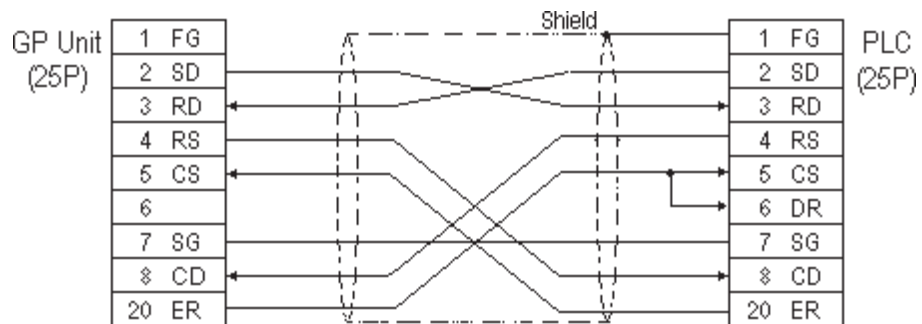


Ground your PLC's FG terminal according to your country's applicable standard. For details, refer to the corresponding PLC manual.



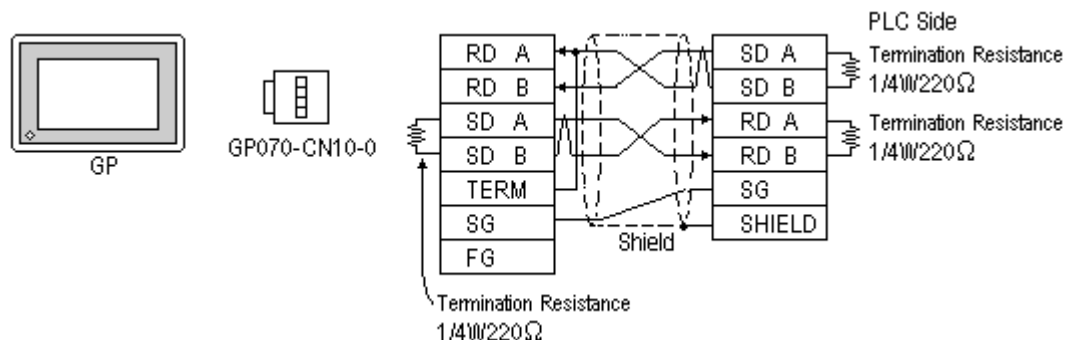
- **Connect the FG line of the Shield cable to either the GP or PLC, depending on your environment. When using a connector hood and grounding the FG line, be sure to use an electrical conductor. The following connection diagrams show examples for connecting a shielded cable to the PLC.**
- **For the RS-232C connection, use a cable length less than 15m.**
- **If a communications cable is used, it must be connected to the SG (signal ground).**
- **For the RS-422 connection, refer to Yokogawa's PLC manual for the cable length.**

**Cable Diagram 1 (RS-232C)**

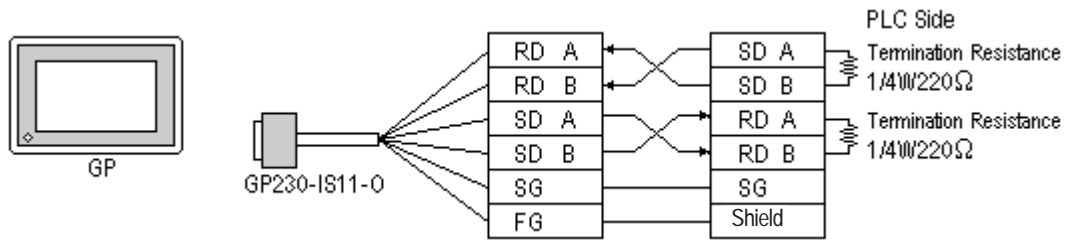


**Cable Diagram 2 (RS-422)**

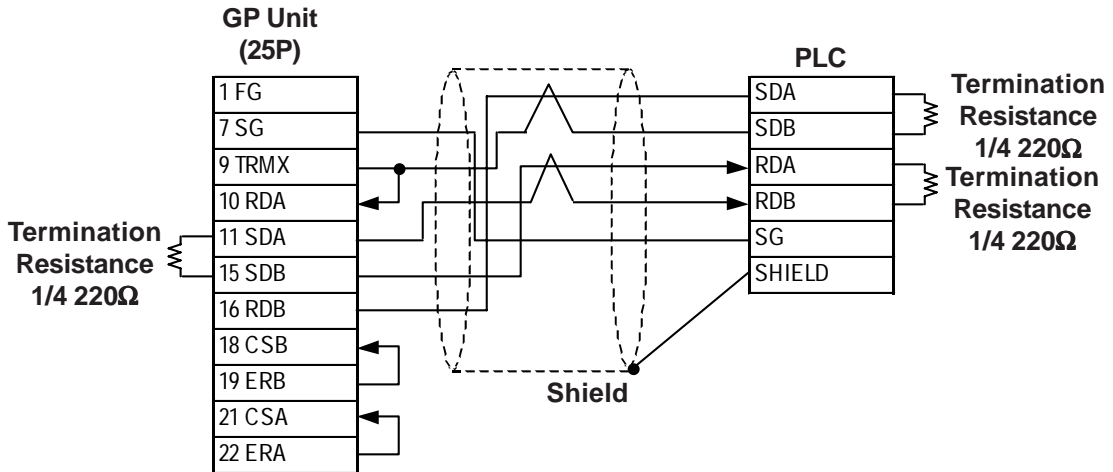
- When using Digital's RS-422 connector terminal adapter GP070-CN10-0



- When using Digital's RS-422 Cable, GP230-IS11-0



- When making your own cable connections



- **Note:** When making your own connections, we recommend using Hitachi Densen's CO-SPEV-SB(A)3P\*0.5SQ cable.
- When connecting the #9 and #10 pins in the GP Serial I/F, a termination resistance of 100Ω is added between RDA and RDB.
- When connecting an RS422 cable, length can be up to 600 meters.

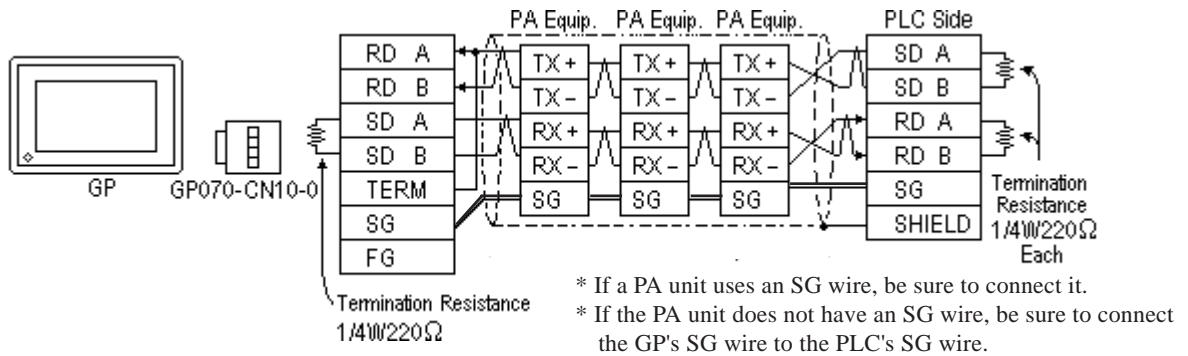
### Cable Diagram 3 (RS-422)

The diagrams below are examples of wire connections on both ends of the GP and PLC. Setup the termination resistors on both ends of the equipment, as illustrated.

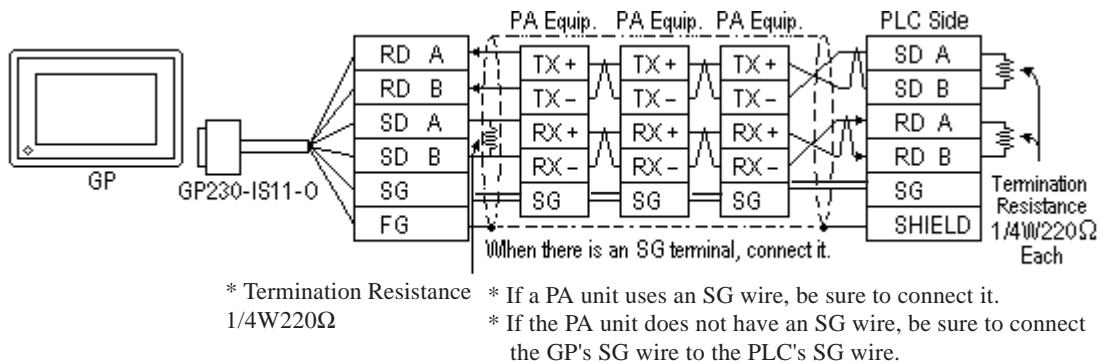


- **Be careful as the reading of the A signal and B signal is opposite on the GP and the LC02-0N (PLC).**
- **Make the PC Link I/F Station Number from 2 to 32.**
- **Setup the PA unit connected to the GP using different Unit Numbers. An error will develop if multiple PA units are setup using the same Unit Number. When an error occurs, the error message "Data Reception Error occurs (02:FD:\*)" (\*\* indicates the unit No.) will appear.**
- **Setup the GP (1) and PA units (n#) with the same Communication Settings.**

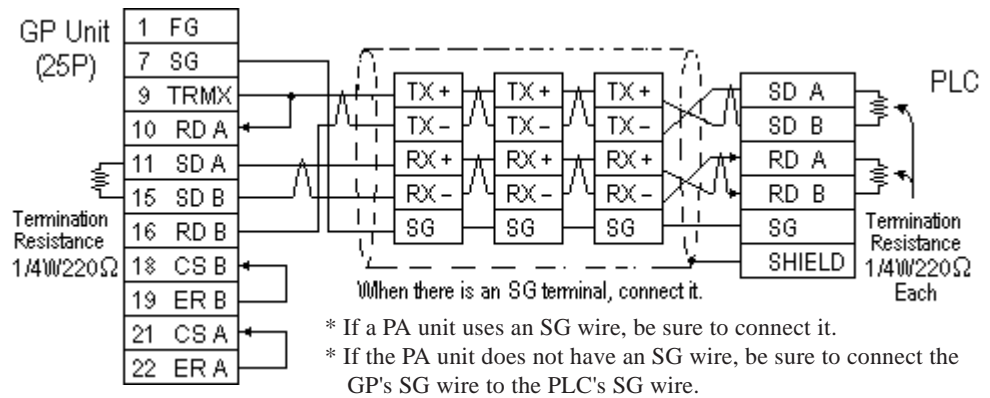
- When using Digital's RS-422 connector terminal adapter GP070-CN10-0



- When using Digital's RS-422 Cable, GP230-IS11-0

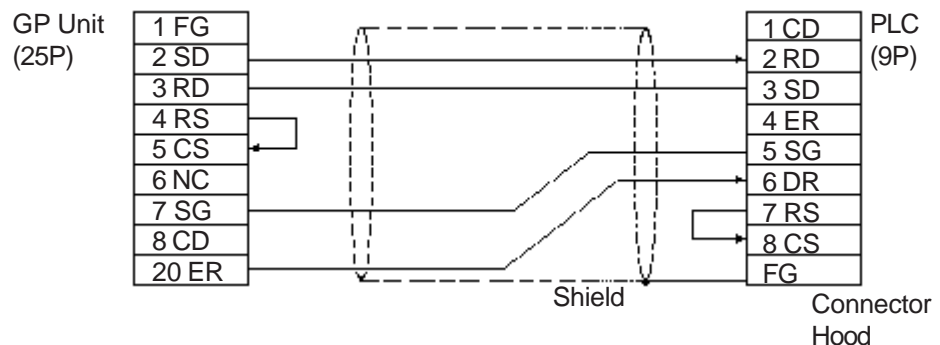


- When making your own cable connections



**When connecting the #9 and #10 pins in the GP Serial I/F, a termination resistance of  $100\Omega$  is added between RDA and RDB.**

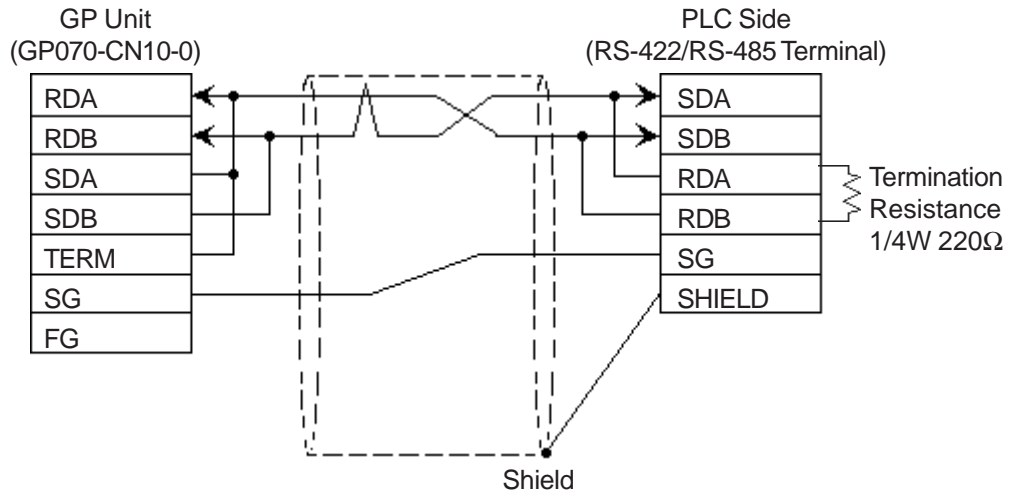
#### Cable Diagram 4 (RS-232C)



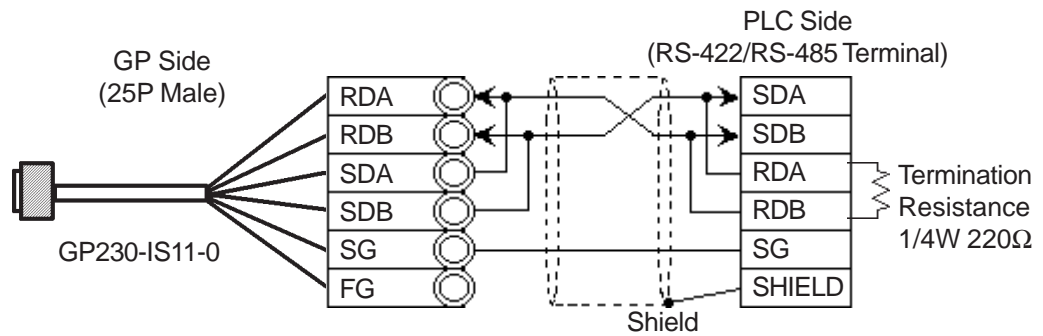


**Cable Diagram 5 (RS-422)**

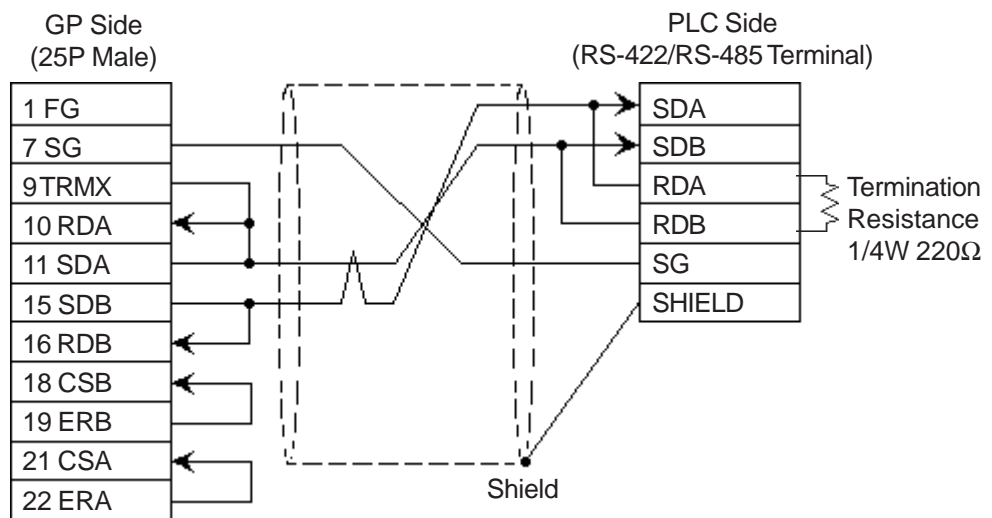
- When using Digital's RS-422 connector terminal adapter GP070-CN10-0



- When using Digital's RS-422 cable, GP230-IS11-0

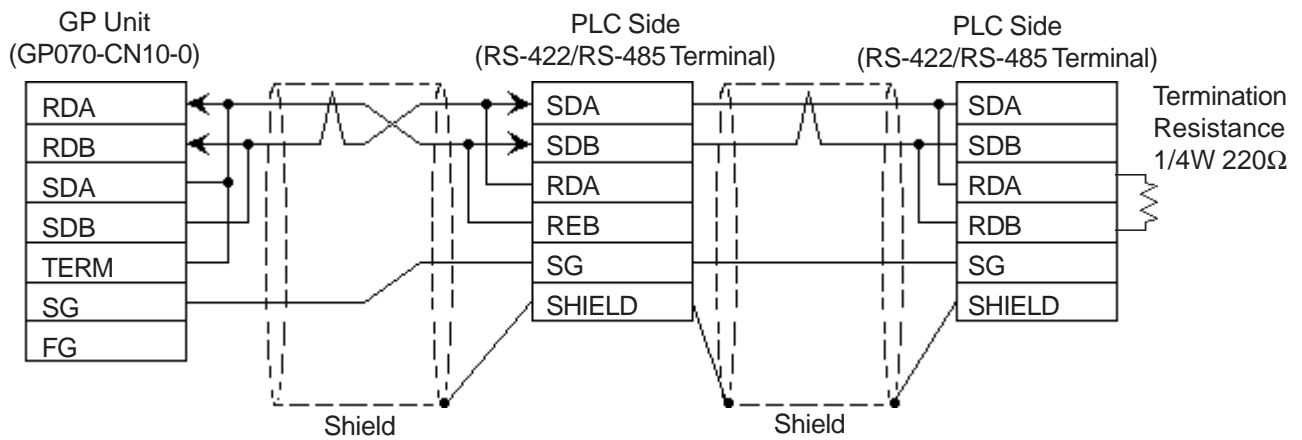


- When making your own cable connections

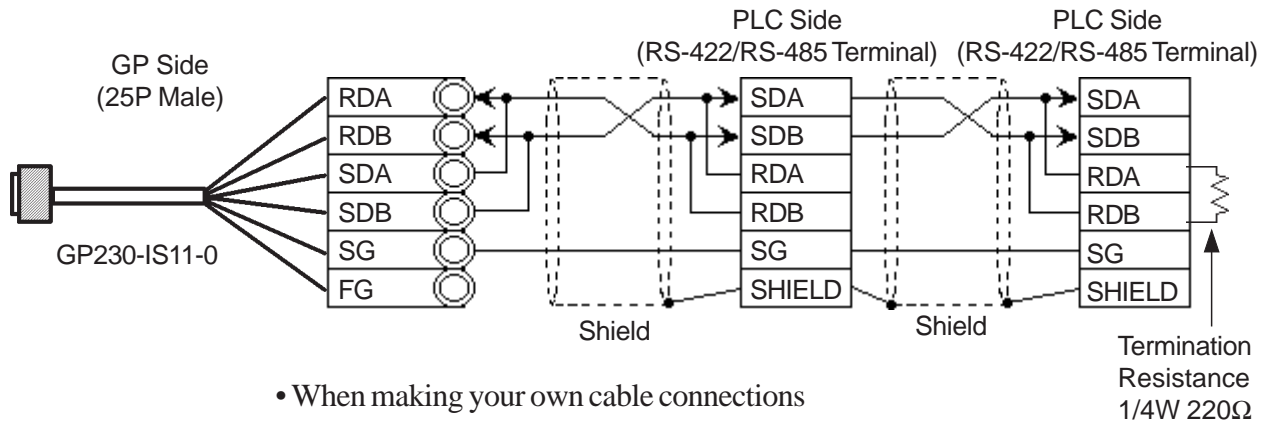


### Cable Diagram 6 (RS-422)

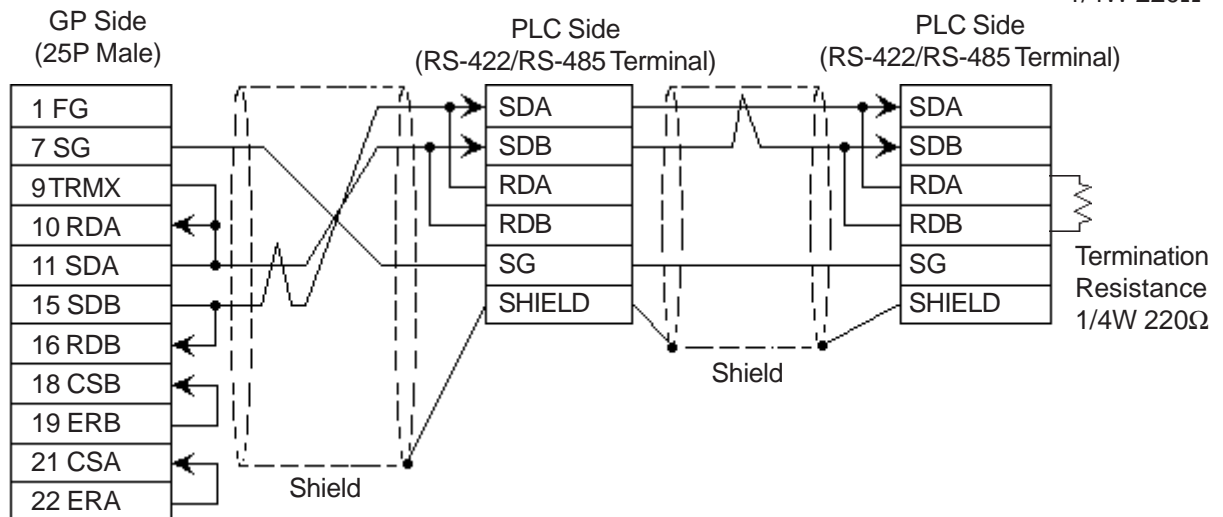
- When using Digital's RS-422 connector terminal adapter GP070-CN10-0



- When using Digital's RS-422 cable, GP230-IS11-0



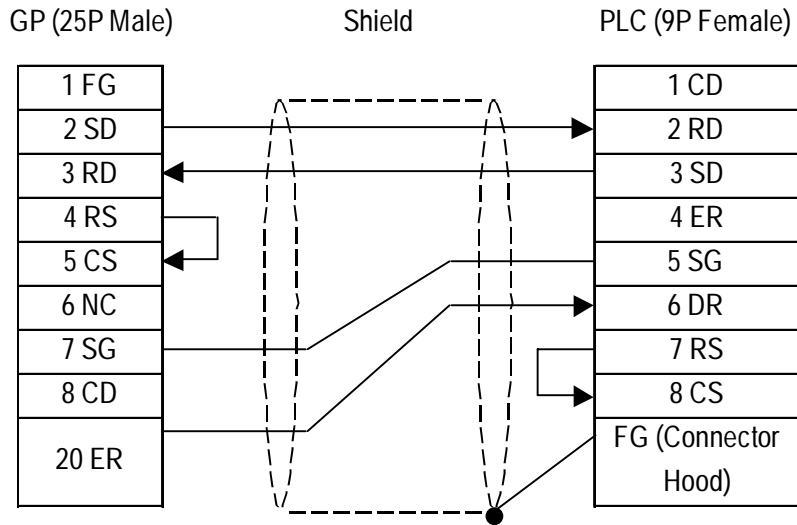
- When making your own cable connections



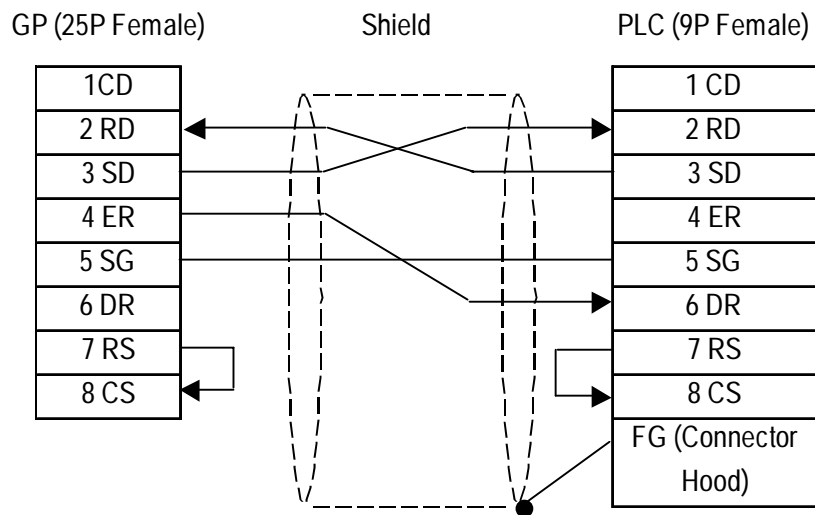
- If the connection is terminated while 2-wire type communication is being carried out, use the 2-wire termination resistance switch on the PC link module (F3LC11-2N).
- The names of the poles A and B are reversed between the GP and the PLC.

**Cable Diagram 7 (RS-232C)**

- When connecting to a GP.

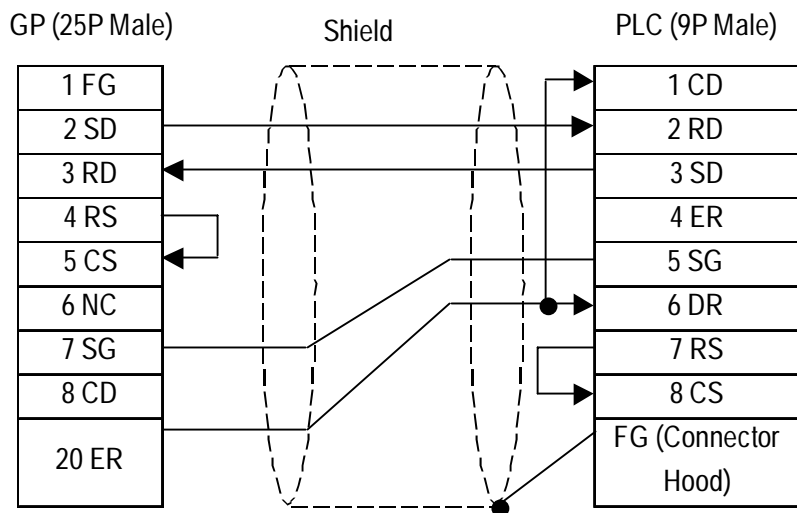


- When using ST401 unit.

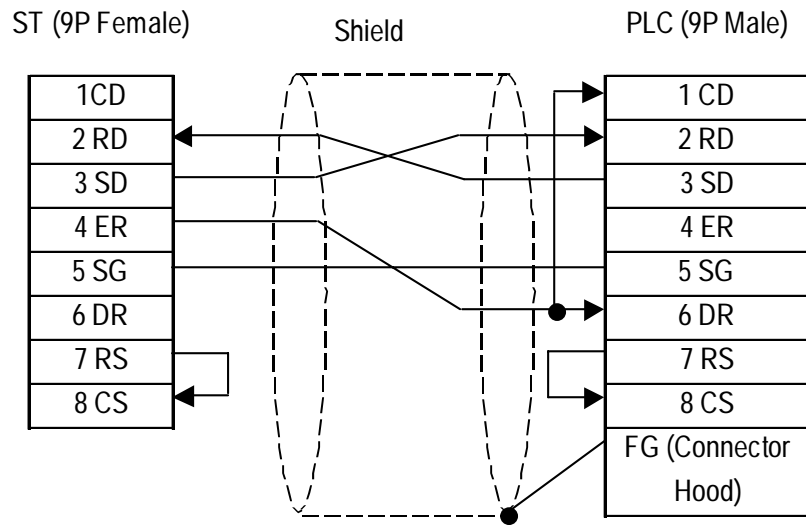


**Cable Diagram 8 (RS-232C)**

- When connecting to a GP.

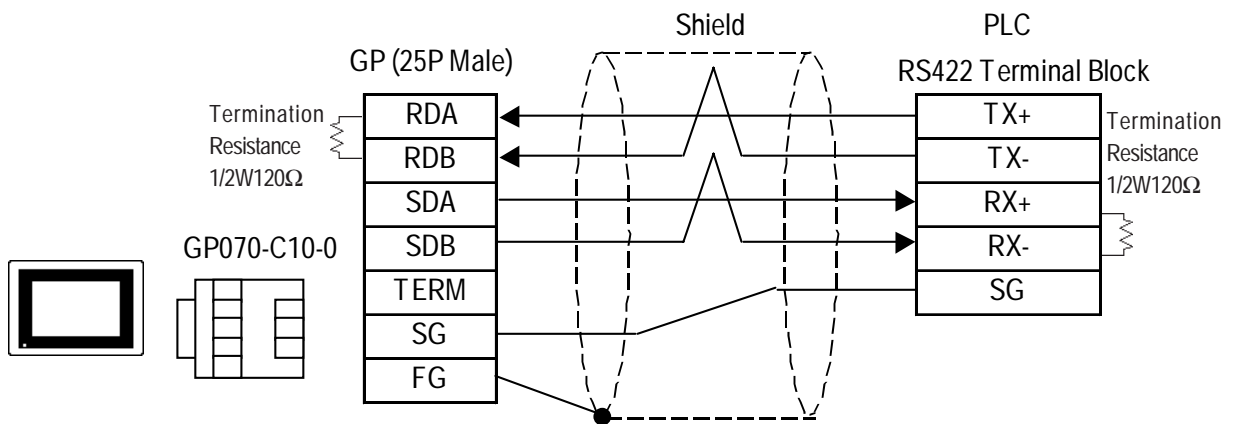


- When using ST401 unit.

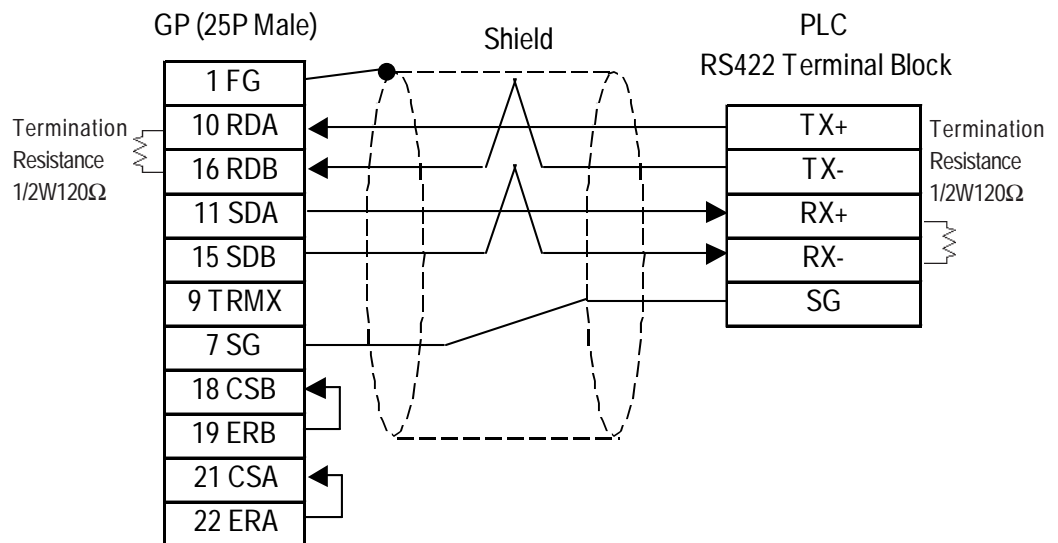


**Cable Diagram 9 (RS-422)**

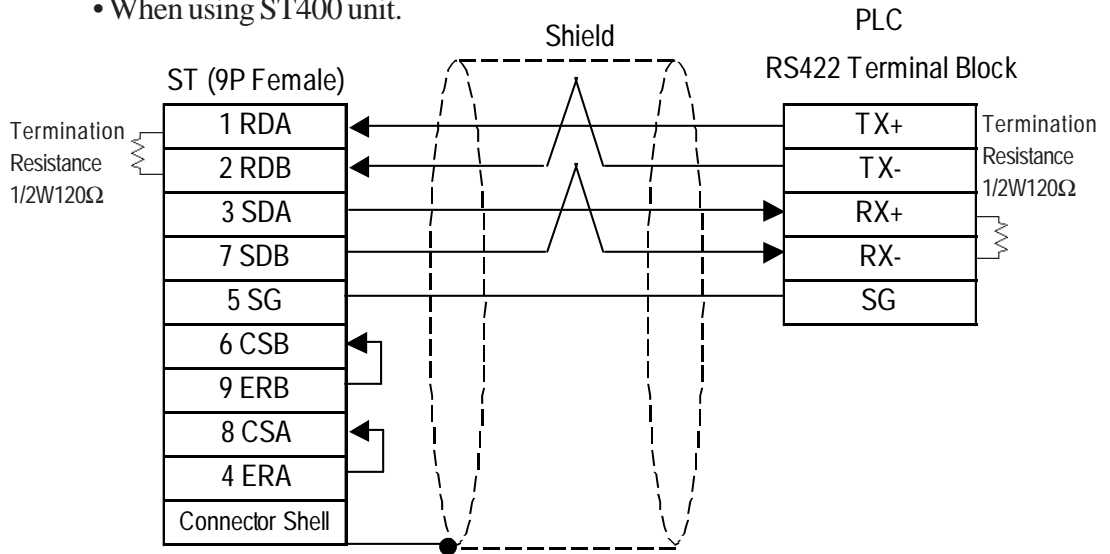
- When using Digital's RS-422 connector terminal adapter GP070-CN10-0



- When making your own cable connections

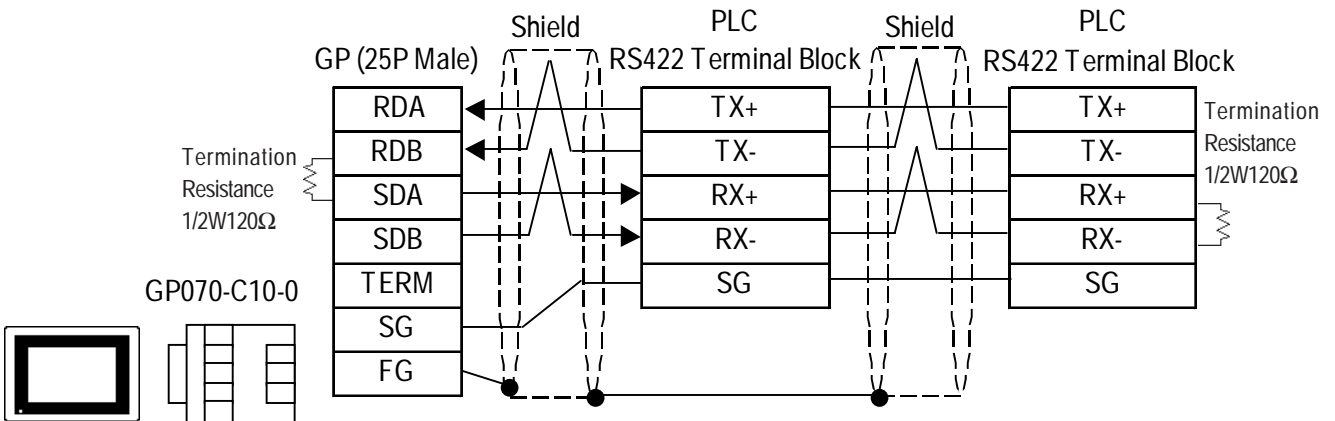


- When using ST400 unit.

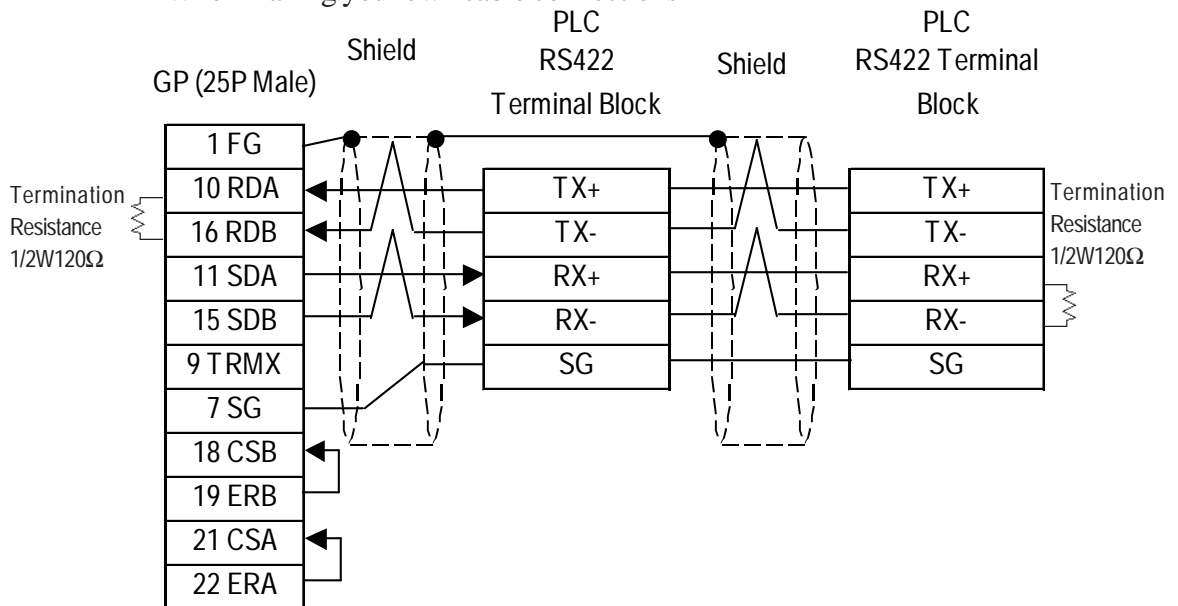


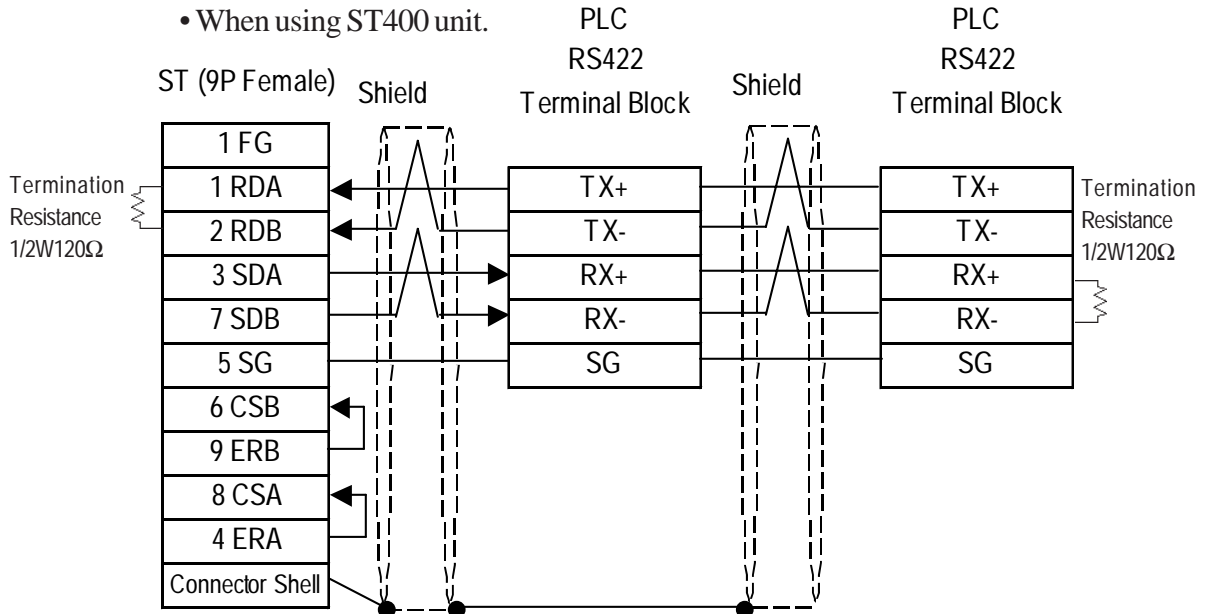
### Cable Diagram 10 (RS-422)

- When using Digital's RS-422 connector terminal adapter GP070-CN10-0



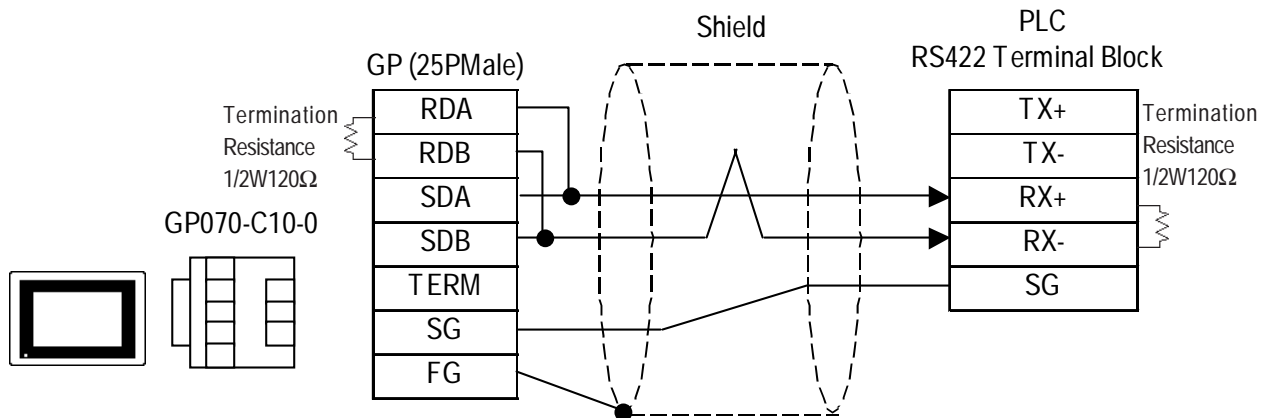
- When making your own cable connections



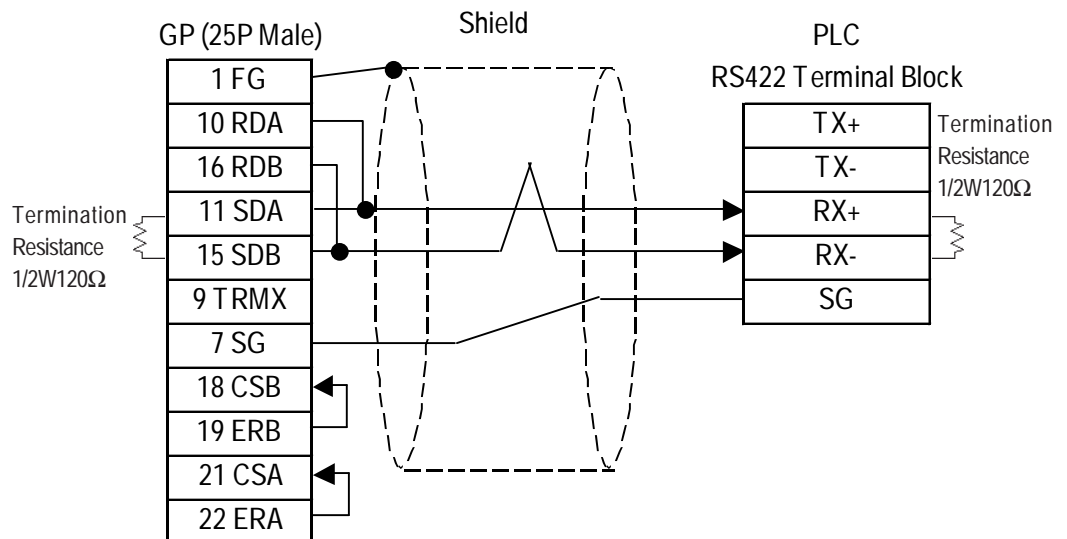


**Cable Diagram 11 (RS-422)**

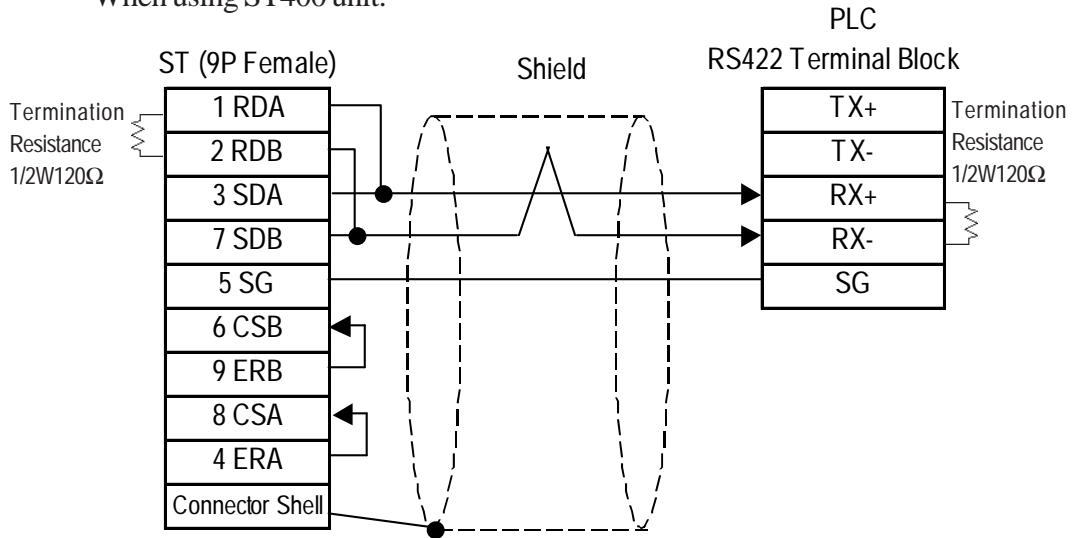
- When using Digital's RS-422 connector terminal adapter GP070-CN10-0



- When making your own cable connections

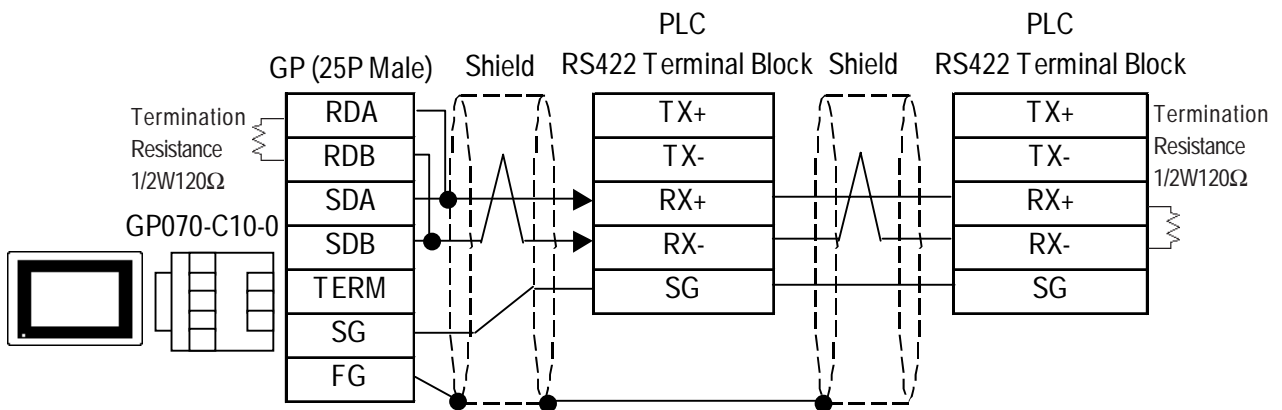


- When using ST400 unit.

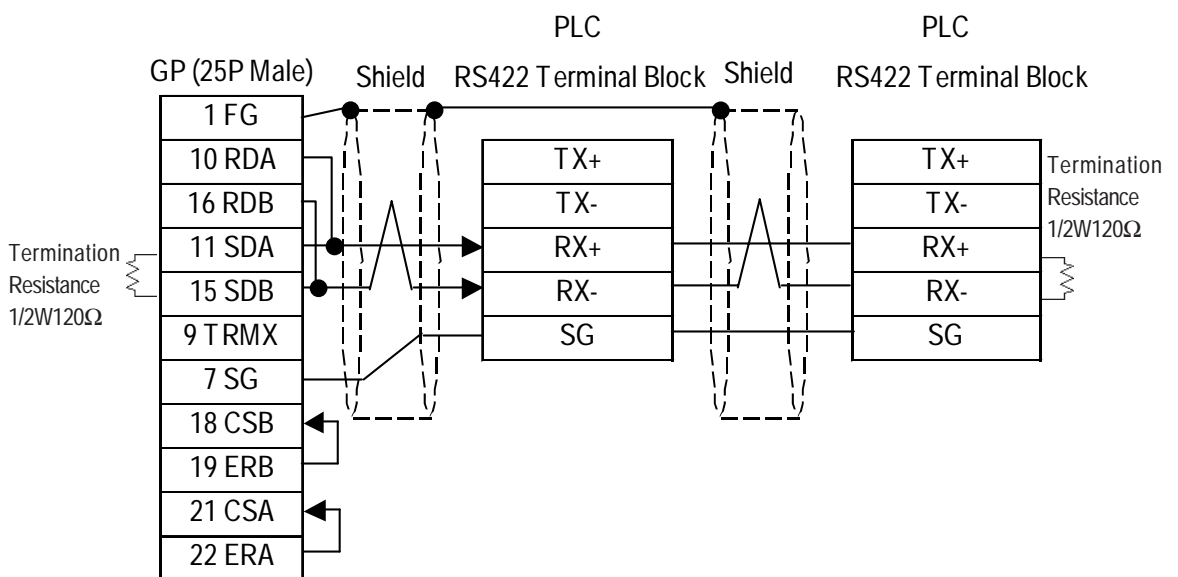


**Cable Diagram 12 (RS-422)**

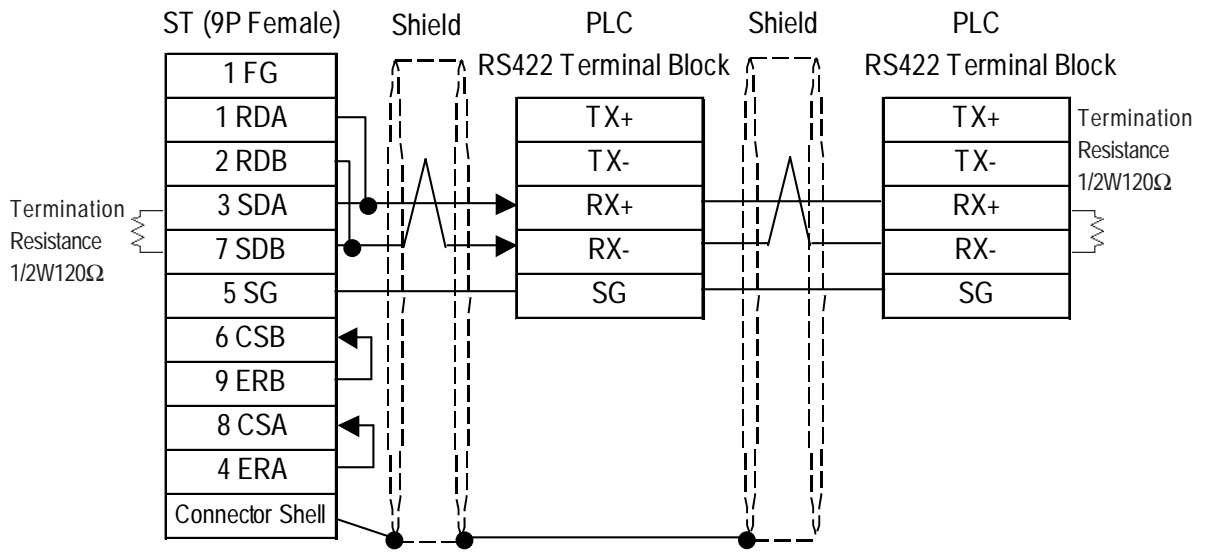
- When using Digital's RS-422 connector terminal adapter GP070-CN10-0



- When making your own cable connections



- When using ST400 unit.





### 3 Supported Devices

The following describes the range of devices supported by the GP.

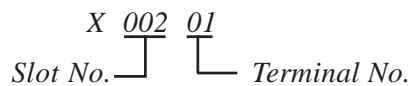
■ **FA500** (1:1 communication)      Setup System Area here.

Device	Bit Address	Word Address	Particulars
Input Relay	X00201 ~ X61164	X00201 ~ X61149	$\frac{\div 16 + 1}{}$ *1*2
Output Relay	Y00201 ~ Y61164	Y00201 ~ Y61149	$\frac{\div 16 + 1}{}$ *1*2
Internal Relay	I0001 ~ I2048	I0001 ~ I2033	$\frac{\div 16 + 1}{}$ *2
Joint Relay	E0001 ~ E2048	E0001 ~ E2033	$\frac{\div 16 + 1}{}$
Special Relay	M001 ~ M512	M001 ~ M497	$\frac{\div 16 + 1}{}$ *2*3
Link Relay	L0001 ~ L1024	L0001 ~ L1009	$\frac{\div 16 + 1}{}$ *2*3
Timer (contact)	T001 ~ T256	---	*2
Counter (contact)	C001 ~ C256	---	*2
Timer (current value)	---	TP001 ~ TP256	*2
Timer (setup value)	---	TS001 ~ TS256	*2
Counter (current value)	---	CP001 ~ CP256	*2
Counter (setup value)	---	CS001 ~ CS256	*2
Data Register	---	D0001 ~ D2048	$\frac{\text{Bit } 5}{}$ *2
Common Register	---	B0001 ~ B2048	$\frac{\text{Bit } 5}{}$ *2
Special Register	---	Z001 ~ Z128	$\frac{\text{Bit } 5}{}$ *2*3
Link Register	---	W0001 ~ W1024	$\frac{\text{Bit } 5}{}$ *2*3

L/H

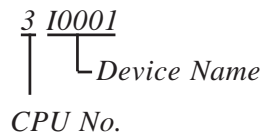
\* 1 The value of the terminal number (bit), 01~49, of the last two digits for the Input Relay and Output Relay can only be a multiple of 16 + 1.

E.g. For X00201



\* 2 Write the CPU Number (1~4) in front of the device name.

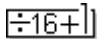
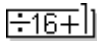
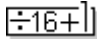
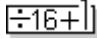
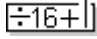
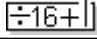
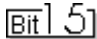
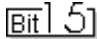
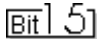

E.g. For Internal Relay I0001, CPU #3:



\* 3 Cannot perform data write.

## ■ FA500 (1:n communication)

 Setup System Area here.

Device	Bit Address	Word Address	Particulars
Input Relay	X00201 ~ X61164	X00201 ~ X61149	 *1 <sup>2</sup>
Output Relay	Y00201 ~ Y61164	Y00201 ~ Y61149	 *1 <sup>2</sup>
Internal Relay	I0001 ~ I2048	I0001 ~ I2033	 *2
Joint Relay	E0001 ~ E2048	E0001 ~ E2033	 *2
Special Relay	M001 ~ M512	M001 ~ M497	 *2 <sup>3</sup>
Link Relay	L0001 ~ L1024	L0001 ~ L1009	 *2 <sup>3</sup>
Timer (contact)	T001 ~ T256	---	*2
Counter (contact)	C001 ~ C256	---	*2
Timer (current value)	---	TP001 ~ TP256	*2
Timer (setup value)	---	TS001 ~ TS256	*2
Counter (current value)	---	CP001 ~ CP256	*2
Counter (setup value)	---	CS001 ~ CS256	*2
Data Register	---	<b>D0001 ~ D2047</b>	 *2
Common Register	---	B0001 ~ B2047	 *2
Special Register	---	Z001 ~ Z128	 *2 <sup>3</sup>
Link Register	---	W0001 ~ W1024	 *2 <sup>3</sup>

L/H

\* 1 When setting Word Address, set the value of the terminal number, 01~49, of the last two digits for the Input Relay and Output Relay to a multiple of 16+1.

E.g. For X00201

X 002 01  
 Slot No.    Terminal No.

\* 2 Write the CPU Number (1~4) in front of the device name.

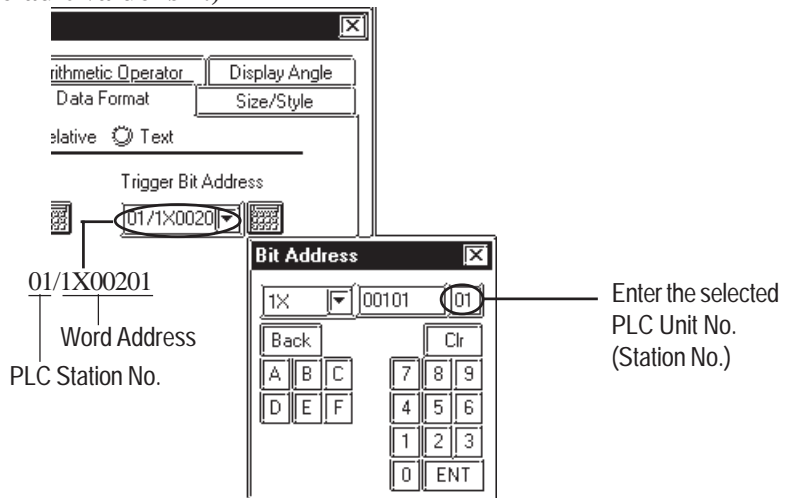
E.g. For Internal Relay I0001, CPU #3:

3 I0001  
 CPU No.    Device Name

\* 3 Cannot perform data write.



**When setting tags up in GP-PRO/PBIII for Windows, the PLC Station number can be specified during address Input. If a station number is not indicated, it automatically uses the previously entered station number. (The initial default value is 1.)**



■ **FA-M3 (1:1 Communication)**

     Setup System Area here.

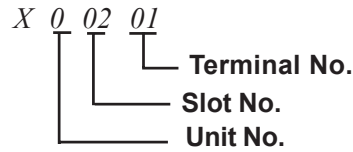
Device	Bit Address	Word Address	Particulars
Input Relay	X00201 ~ X71664	X00201 ~ X71649	<span style="border: 1px solid black; padding: 2px;">÷16+1</span> *1*2
Output Relay	Y00201 ~ Y71664	Y00201 ~ Y71649	<span style="border: 1px solid black; padding: 2px;">÷16+1</span> *1
Internal Relay	I00001 ~ I65535	I00001 ~ I65521	<span style="border: 1px solid black; padding: 2px;">÷16+1</span>
Joint Relay	E0001 ~ E4096	E0001 ~ E4081	<span style="border: 1px solid black; padding: 2px;">÷16+1</span>
Special Relay	M0001 ~ M9984	M0001 ~ M9969	<span style="border: 1px solid black; padding: 2px;">÷16+1</span>
Link Relay	L00001 ~ L78192	L00001 ~ L78177	<span style="border: 1px solid black; padding: 2px;">÷16+1</span> *6
Timer (contact)	T0001 ~ T3072	---	*2
Counter (contact)	C0001 ~ C3072	---	*2
Timer (current value)	---	TP0001 ~ TP3072	
Timer (setup value)	---	TS0001 ~ TS3072	*2
Counter (current value)	---	CP0001 ~ CP3072	
Counter (setup value)	---	CS0001 ~ CS3072	*2
Data Register	---	<span style="border: 1px solid black; padding: 2px;">D00001 ~ D65535</span>	<span style="border: 1px solid black; padding: 2px;">Bit 5</span>
File Register	---	B00001 ~ B065536	<span style="border: 1px solid black; padding: 2px;">Bit 5</span> *3*4
		B065537 ~ B131072	
		B131073 ~ B196608	
		B196609 ~ B262144	
Joint Register	---	R0001 ~ R4096	<span style="border: 1px solid black; padding: 2px;">Bit 5</span>
Special Register	---	Z001 ~ Z1024	<span style="border: 1px solid black; padding: 2px;">Bit 5</span>
Link Register	---	W00001 ~ W74096	<span style="border: 1px solid black; padding: 2px;">Bit 5</span> *5*6

L/H

(See next page)

\*1 The value of the terminal number (bit), 01~49, of the last two digits for the Input Relay and Output Relay can only be a multiple of 16 +1.

E.g. For X00201



\*2 Cannot perform data write.

\*3 File registers are each 65,535 words on your GP application.

You cannot extend over more than a single data "block" when performing the following features.

Be sure to set these features' settings so they are within a single data block.

1) "a-tag " settings

2) Performing Block read/write from Pro-Server

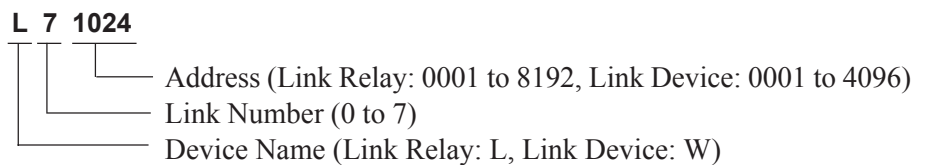
3) Designating the "Convert from" and "Convert to" address for the "Address Conversion" features

\*4 When using a PC Link module, only Link Register up to B99999 can be used.

\*5 Up to 4,096 link registers can be used.

\*6 Enter Link Relay (L) and Link Register (W) data as follows:

(Ex.) When entering Link Relay "L71024" data.

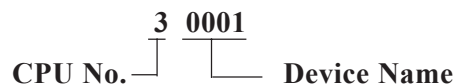


The address data's left-most digit is the Link Number, and the next four digits are the address.



- Write the CPU Number (1~4) in front of the device name.

E.g. For Internal Relay I0001, CPU #3:



- The types of devices that can be used will vary depending on the type of PLC.

For detailed information refer to Yokogawa's Sequencer CPU manual.

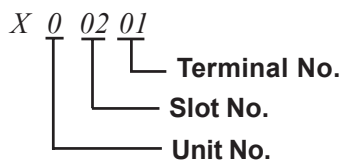
■ **FA-M3** (1:n Communication)

Setup System Area here.

Device	Bit Address	Word Address	Remarks
Input Relay	X00201 ~ X71364	X00201 ~ X71349	<span style="border: 1px solid black; padding: 2px;">÷16+1</span> *1*2
Output Relay	Y00201 ~ Y71364	Y00201 ~ Y71349	<span style="border: 1px solid black; padding: 2px;">÷16+1</span> *1
Internal Relay	I0001 ~ I32768	I0001 ~ I32753	<span style="border: 1px solid black; padding: 2px;">÷16+1</span>
Joint Relay	E0001 ~ E4096	E0001 ~ E4081	<span style="border: 1px solid black; padding: 2px;">÷16+1</span>
Special Relay	M0001 ~ M9984	M0001 ~ M9969	<span style="border: 1px solid black; padding: 2px;">÷16+1</span>
Link Relay	L00001 ~ L72048	L00001 ~ L72033	<span style="border: 1px solid black; padding: 2px;">÷16+1</span> *4
Timer (contact)	T0001 ~ T2047	---	*2
Counter (contact)	C0001 ~ C2047	---	*2
Timer (current value)	---	TP0001 ~ TP2047	L/H
Timer (setup value)	---	TS0001 ~ TS2047	*2
Counter (current value)	---	CP0001 ~ CP2047	
Counter (setup value)	---	CS0001 ~ CS2047	*2
Data Register	---	<span style="border: 1px solid black; padding: 2px;">D0001 ~ D2047</span>	<span style="border: 1px solid black; padding: 2px;">Bit 5</span>
File Register	---	B0001 ~ B2047	<span style="border: 1px solid black; padding: 2px;">Bit 5</span>
Joint Register	---	R0001 ~ R2047	<span style="border: 1px solid black; padding: 2px;">Bit 5</span>
Special Register	---	Z001 ~ Z1024	<span style="border: 1px solid black; padding: 2px;">Bit 5</span>
Link Register	---	W0001 ~ W11024	<span style="border: 1px solid black; padding: 2px;">Bit 5</span> *3*4

\*1 The value of the terminal number (bit), 01~49, of the last two digits for the Input Relay and Output Relay can only be a multiple of 16 +1.

E.g. For X00201



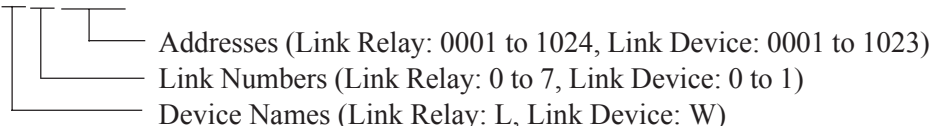
\*2 Cannot perform data write.

\*3 A total of up to 4,096 link registers can be used.

\*4 Enter Link Relay (L) and Link Register (W) data as follows:

(Ex.) When entering Link Relay "L11024" data.

**L 1 1024**

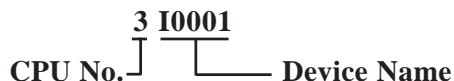


The address data's left-most digit is the Link Number, and the next four digits are the address.



- Write the CPU Number (1~4) in front of the device name.

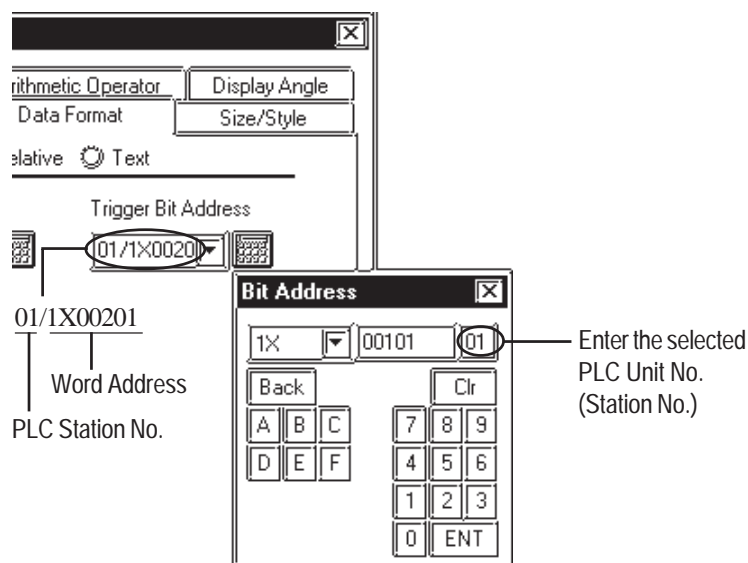
E.g. For Internal Relay I0001, CPU #3:



The range of devices that can be used will vary depending on the type of PLC. For detailed information refer to the Yokogawa's Sequencer CPU manual.



- When setting up Tags in GP-PRO/PBIII for Windows, the PLC Station number can be specified at address Input. If a station number is not specified, the previously entered station number is used. (The default value is 1.)



**When converting addresses of Joint Relays used in GP-\*10/ GP-\*30/ GP-\*50 Series unit project screens, all addresses will be converted to CPU No. 1 addresses. After all screens are converted, be sure to check all Joint Relay CPU numbers.**

■ **STARDOM Standalone Controller (When using Yokogawa Electric FACTORY ACE 1:1, FACTORY ACE 1:1 Protocol)**

Register Image	Bit Address	Word Address	Particulars
Internal Relay	I0001 ~ I32767	I0001 ~ 32753	$\div 16 + 1$
Data Register	---	D00001 ~ D32767	Bit 5
File Register	---	B000001 ~ B032767	Bit 5



- Set each device using a CPU number of 1.

■ **STARDOM Standalone Controller (When using Yokogawa Electric FCN/FCJ ModbusRTU 1:n Protocol)**

  Setup System Area here.

Device	Bit Address	Word Address	Note	
Coil	1:00001 to 31:09984	1:00001 to 31:09969	<span style="border: 1px solid black; padding: 2px;">+16+1</span>	L/H
Input Relay	1:10001 to 31:19984	1:10001 to 31:19969	<span style="border: 1px solid black; padding: 2px;">+16+1</span> *1	
Retain Register	1:4000100 to 16:4999915	1:40001 to 16:49999		
	—————	17:40001 to 31:49999	<span style="border: 1px solid black; padding: 2px;">Bit15</span> *2	
Input Register	—————	1:30001 to 31:39999	<span style="border: 1px solid black; padding: 2px;">Bit15</span> *1	

\*1 Read only. Write is not possible. If write is attempted, a Host Communication error (02:FB) will occur.

\*2 Node address 17 to 31's Bit Address designation becomes Bit15 operation.



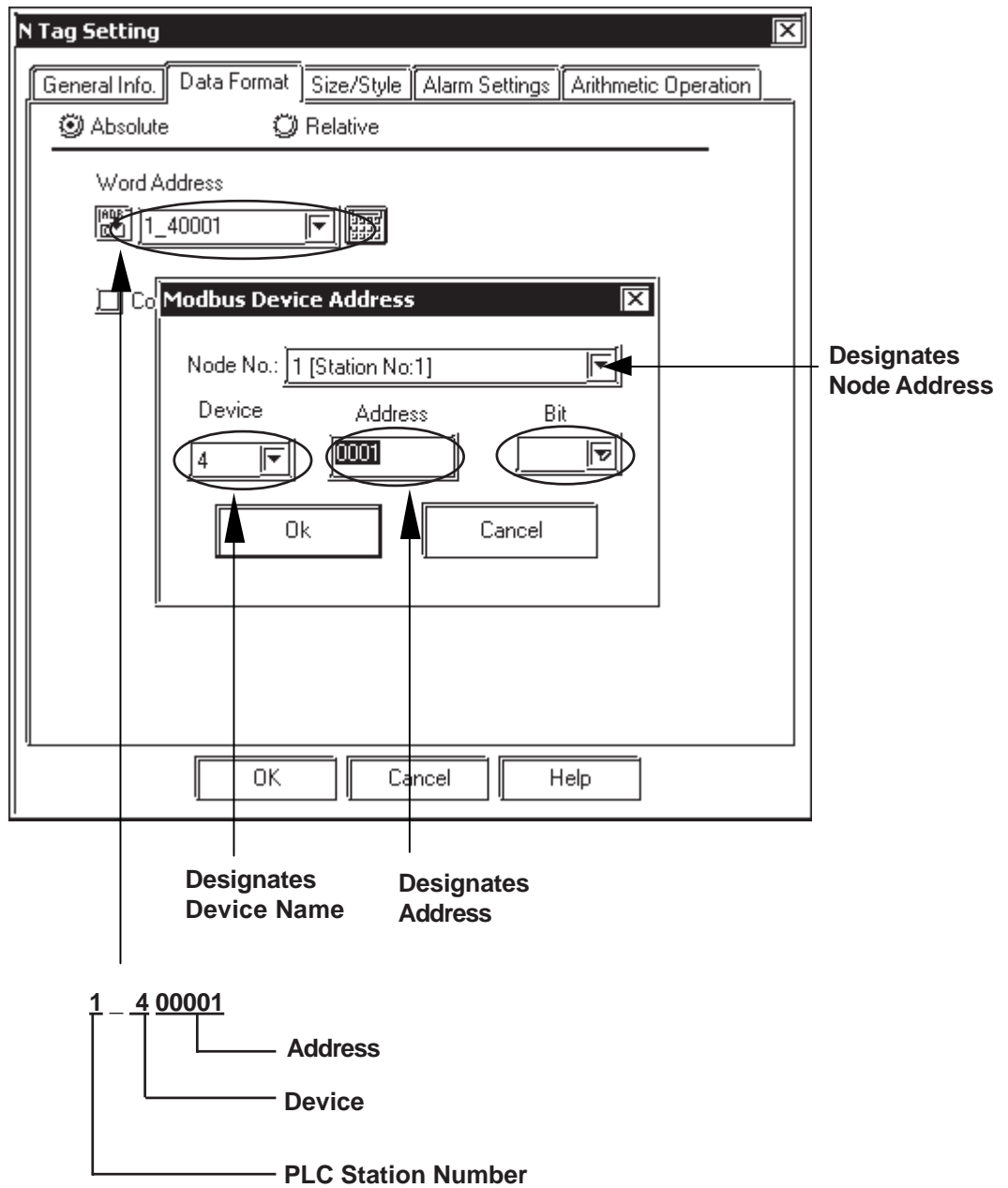
- Note:**
- Address ranges depend on the type of PLC used. For details please refer to your PLC unit's manual.

**When using Pro-Server:**



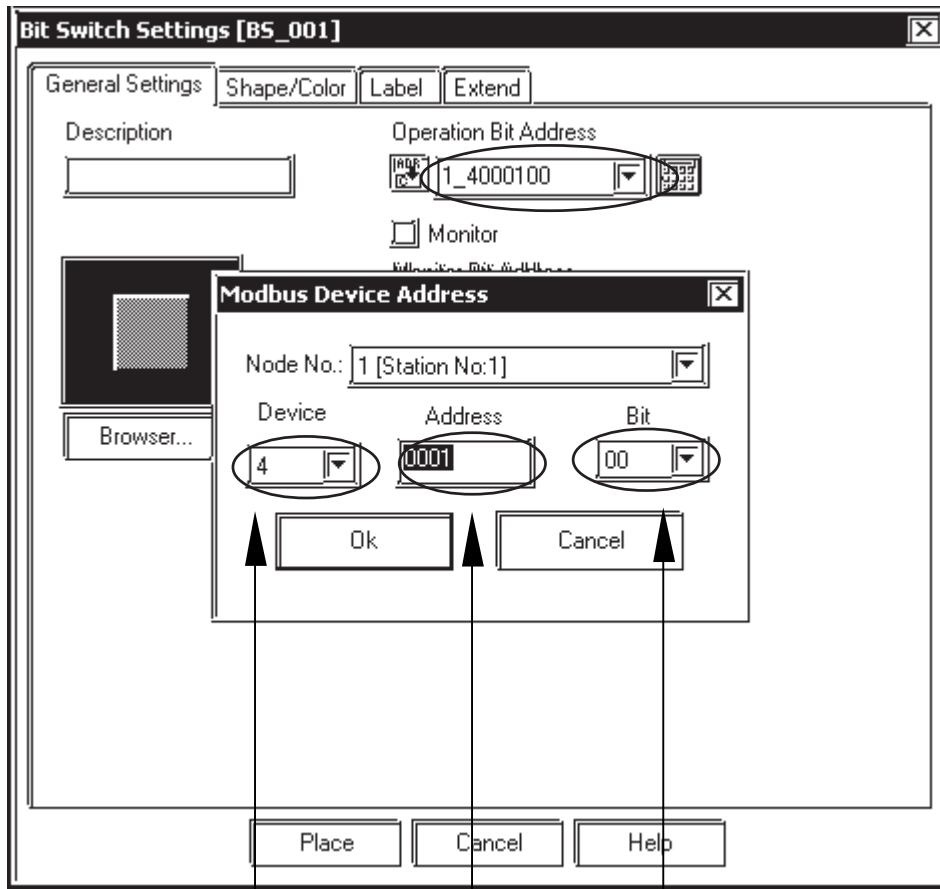
**When accessing via Pro-Server, be sure to define in advance Device Addresses to be accessed, and after creating project screens, Pro-Server must be used to import the symbols. For details, refer to your Pro-Server Operation Manual.**

■ When using Word Addresses





### ■ When using Bit Addresses



Designates the Device Address

Designates the Address

Designates the Bit Position

## 4 Environment Setup

The following lists Digital's recommended PLC and GP communication settings.

### ■ FACTORY ACE Series (using Link I/F RS-232C connection)

GP Setup		PC Link Module Setup	
Baud Rate	19200 bps	Baud Rate <sup>*1</sup>	19200 bps
Data Length	8 bits	Data Length	8 bits
Stop Bit	1 bit	Stop Bit	1 bit
Parity Bit	None	Parity Bit	None
Data Flow Control	ER Control	---	
Communication Format	RS-232C	---	
---		Check Sum	No
---		Specify End Character	Yes
---		Protect Function	No
---		Data Format Setup Switch	8 OFF
Unit No.	1	Station Number <sup>*2</sup>	1

*\*1 The PC Link I/F F3LC11-1F can be communicated by 115.2kbps.*

*\*2 The PC Link I/F F3LC01-1N does not have this setting.*

### ■ FACTORY ACE Series (using Link I/F RS-422 connection)

GP Setup		PC Link Module/PA Equipment Setup	
Baud Rate (1:1 comm)	19200 bps	Baud Rate (1:1 comm)	19200 bps
Baud Rate (1:n comm)	9600 bps	Baud Rate (1:n comm)	9600 bps
Data Length	8 bits	Data Length	8 bits
Stop Bit	1 bit	Stop Bit	1 bit
Parity Bit	None	Parity Bit	None
Data Flow Control	ER Control	---	
Communication Format (Select 4-wire type)	4-wire type	---	
Communication Format (Select 2-wire type)	2-wire type	---	
---		Checksum	No
---		Specify End Character	Yes
---		Protect Function	No
---		Data Format Setup Switch	8 OFF
Unit No. (1:1 comm)	FA-500: 2 FA-M3: 1	Station No. (1:1 comm)	FA-500: 2 FA-M3: 1
Unit No. (1:n comm)	Match with PC Link Module station No.	Station No. (1:n comm)	Set up so that all PA Equip., PC Link module No.s are different

■ **FACTORY ACE Series (FA-M3 CPU Direct Connection)**

GP Setup		CPU Communication Port Setup	
Baud Rate	19200 bps	Baud Rate	19200 bps <sup>*1</sup>
Data Length	8 bits	---	
Stop Bit	1 bit	---	
Parity Bit	Even	Parity Bit	Even
Data Flow Control	ER Control	---	
Communication Format	RS-232C	---	
---		PC Link Function	Use
---		Check Sum	No
---		Specify End Character	Yes
---		Protect Function	No
Unit No.	1	---	

\*1 For F3SP28-3N, F3SP38-6N, F3SP53-4H, F3SP58-6H, F3SP28-3S, F3SP38-6S, F3SP53-4S, F3SP58-6S and F3SP59-7S, a baud rate of 115200 bps is also available.

■ **STARDOM Standalone Controller (When using Yokogawa Electric FACTORY ACE 1:1, FACTORY ACE 1:n Protocol)**

GP Setup		CPU Communication Port Setup	
Baud Rate	19200 bps <sup>*3</sup>	Baud Rate	19200 bps <sup>*1*3</sup>
Data Length	8 bits	Data Length	8 bits <sup>*1</sup>
Stop Bit	1 bit	Stop Bit	1 bit <sup>*1</sup>
Parity Bit	None	Parity Bit	None <sup>*1</sup>
Data Flow Control	ER Control	---	
Communication Format	RS-232C	---	
---		Check Sum	No <sup>*2</sup>
---		Specify End Character	Yes <sup>*2</sup>
Unit No.	1	Station No.	1 <sup>*2</sup>

\*1 Set these parameters in the COM port setup using the Web browser.

\*2 Pass the settings to the task startup FB parameters.

\*3 Communication at 115.2 kbps is possible.



Set the COM port as follows:

**Com1SioDriver=DUONUS\_S10**

**Com2SioDriver=DUONUS\_S10**

**ConsoleComPort=(blank)**

■ **STARDOM Standalone Controller FCN/FCJ (When using Yokogawa Electric FCN/FCJ ModbusRTU 1:n Protocol via CPU unit's COM Port connection)**

GP Setup		CPU Communication Port Setup	
Baud Rate	9600 bps	Baud Rate	9600 bps <sup>*1*3</sup>
Data Length	8 bits	Data Length	8 bits <sup>*1</sup>
Stop Bit	1 bit	Stop Bit	1 bit <sup>*1</sup>
Parity Bit	None	Parity Bit	None <sup>*1</sup>
Data Flow Control	ER Control	---	
Communication Format	RS-232C	---	
Station No.	1	Station No.	1 <sup>*2</sup>
---		Communication Mode	RTU Mode
---		Communication Type	Slave

\*1 Set these parameters in the COM port setup using the Web browser.

\*2 Pass the settings to the task startup FB parameters.

\*3 Communication at 115.2 kbps is possible.



Set the COM port as follows:

Com1SioDriver=DUONUS\_S10

Com2SioDriver=DUONUS\_S10

ConsoleComPort=(blank)

■ **STARDOM Standalone Controller FCN (When using Yokogawa Electric FCN/FCJ ModbusRTU 1:n Protocol via NFLR111 RS232C Communication Module connection)**

GP Setup		NFLR111 Port Setup	
Baud Rate	9600 bps	Baud Rate	9600 bps <sup>*1*3</sup>
Data Length	8 bit	Data Length	8 bit <sup>*1</sup>
Stop Bit	1 bit	Stop Bit	1 bit <sup>*1</sup>
Parity Bit	None	Parity Bit	None <sup>*1</sup>
Data Flow Control	ER Control	Other Settings	Use default values <sup>*1</sup>
Communication Format	RS-232C	---	
Station No.	1	Station No.	1 <sup>*2</sup>
---		Communication Mode	RTU Mode
---		Communication Type	Slave

\*1 Set these parameters in the Resource Configurator.

\*2 Pass the settings to the task startup FB parameters.

\*3 Communication at 115.2 kbps is possible.

■ **STARDOM Standalone Controller FCN (When using Yokogawa Electric FCN/FCJ ModbusRTU 1:n Protocol via NFLR121 RS422/RS485 Communication Module connection)**

GP Setup		NFLR121 Port Setup	
Baud Rate	9600 bps <sup>*4</sup>	Baud Rate	9600 bps <sup>*1,3</sup>
Data Length	8 bit	Data Length	8 bit <sup>*1</sup>
Stop Bit	1 bit	Stop Bit	1 bit <sup>*1</sup>
Parity Bit	None	Parity Bit	None <sup>*1</sup>
Data Flow Control	ER Control	Other Settings	Use default values <sup>*1</sup>
Communication Format (using 4-wire)	4-wire	Wiring Format	4-wire <sup>*1</sup>
Communication Format (using 2-wire)	2-wire		2-wire <sup>*1</sup>
Station No.	1	Station No.	1 <sup>*2</sup>
---		Communication Mode	RTU Mode
---		Communication Type	Slave

*\*1 Set these parameters in the COM port setup using the Web browser.*

*\*2 Pass the settings to the task startup FB parameters.*

*\*3 Communication at 115.2 kbps is possible.*



**When communicating using a 2-wire 1:n connection with 2 or more PLC units, be sure to set the GP unit's Send Wait time of 20ms or more.**

**If communication is performed using the default value of 0ms, an Host Communication error (02:FE:\*\*) will occur from the PLC.**

## ■ Special Settings

### Screen Creation Software Settings

The screen creation software settings are located in the [GP System] - [Mode Settings] area. The screens and items used for entering settings are as follows.

