

Pro-face

by Schneider Electric

SP5000 Series (Display Module)
SP-5700WC/5800WC
Installation Guide

Please read the “Warning/Caution Information” on the attached sheet before using the product.

Safety Information

Important Information	5
-----------------------------	---

Overview

Model Numbers	7
Global Code	7
Package Contents	7
About the Manual	8

Part Numbers and Functions

SP-5700WC/5800WC	9
LED Indications	10

Specifications

Electrical Specifications	11
Environmental Specifications	12

Installation

Panel Cut Dimensions	13
Installation Requirements	13
Installation Procedure	17
Removal Procedure	20

Wiring

Wiring	23
--------------	----

Front USB Cover

Front USB Cover	29
-----------------------	----

Front USB Port

Front USB Port	31
----------------------	----

Maintenance

Cleaning This Product	34
Replacing the Installation Gasket	34

Standards

Standards.....	36
----------------	----

Important Information

Notice

Read these instructions carefully, and look at the equipment to become familiar with the device before trying to install, operate, or maintain it. The following special messages may appear throughout this documentation or on the equipment to warn of potential hazards or to call attention to information that clarifies or simplifies a procedure.



The addition of this symbol to a "Danger" or "Warning" safety label indicates that an electrical hazard exists which will result in personal injury if the instructions are not followed.



This is the safety alert symbol. It is used to alert you to potential personal injury hazards. Obey all safety messages that follow this symbol to avoid possible injury or death.

DANGER

DANGER indicates a hazardous situation which, if not avoided, **will result in** death or serious injury.

WARNING

WARNING indicates a hazardous situation which, if not avoided, **could result in** death or serious injury.

CAUTION

CAUTION indicates a hazardous situation which, if not avoided, **could result in** minor or moderate injury.

NOTICE

NOTICE is used to address practices not related to physical injury.

PLEASE NOTE

Electrical equipment should be installed, operated, serviced, and maintained only by qualified personnel. No responsibility is assumed by Schneider Electric or any of its affiliates or subsidiaries (hereinafter, referred to as Schneider Electric) for any consequences arising out of the use of this material.

A qualified person is one who has skills and knowledge related to the construction and operation of electrical equipment and its installation, and has received safety training to recognize and avoid the hazards involved.

If the equipment is used in a manner not specified by the manufacturer, the protection provided by the equipment may be impaired.

Model Numbers

Series		Model name	Model number
SP5000 Series	Premium Display	SP-5700WC	PFXSP5700WCD
		SP-5800WC	PFXSP5800WCD

NOTE: These models can be connected to all models of SP5000 Series Box Module except for SP-5B40. For the model numbers of the Box Module, refer to the SP5000 Series (Box Module) Installation Guide.

Global Code

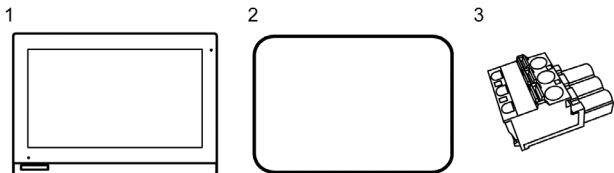
A global code is assigned to every Pro-face product as a universal model number.

For more information on product models and their matching global codes, please refer to the following URL.

<http://www.pro-face.com/trans/en/manual/1003.html>

Package Contents

The following items are included in the package. Before using this product, please confirm that all items listed here are present.



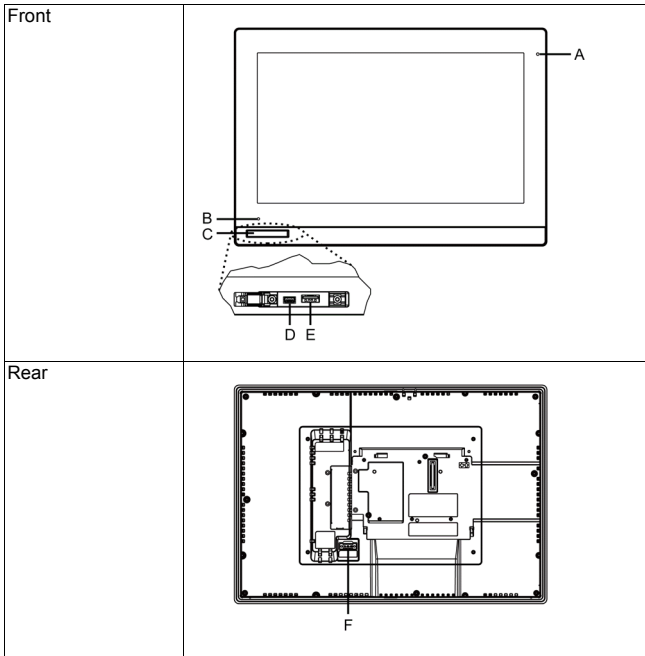
- 1 SP5000 Series Display Module: 1
- 2 Installation gasket: 1 (attached to this product)
- 3 DC power supply connector (right-angle type): 1
- 4 SP5000 Series (Display Module) Installation Guide (this guide): 1
- 5 Warning/Caution Information: 1

This product has been carefully packed, with special attention to quality. However, should you find anything damaged or missing, please contact your local distributor immediately.

About the Manual

This manual describes wiring and installation procedures. For more detailed information, refer to the SP5000 Series Hardware Manual.

You can download the manual from our website at <http://www.pro-face.com/trans/en/manual/1001.html>

SP-5700WC/5800WC**NOTE:** The figures below show SP-5800WC

- A: Brightness sensor
- B: Status LED (see page 10)
- C: Front USB cover
- D: USB (mini-B) interface
- E: USB (Type A) interface
- F: Power plug connector

LED Indications

Status LED

Color	Indicator	Connected to Power Box		Connected to Open Box	
		HMI Operation	Logic Program Operation* ¹	HMI Operation	Logic Program Operation* ¹
Green	ON	Offline	–	Offline	–
		In operation	RUN	In operation	RUN
	Flashing* ¹	In operation	STOP	In operation	STOP
	LED fade* ²	Backlight OFF (Standby Mode)			
Orange	Flashing	Software starting up			
Red	ON	Power is ON.			
	Flashing* ¹	In operation	Major error	In operation	Major error
Red/ Green	Alternating	Box Module connection error			
Orange/ Red	Alternating	SD Card boot error		–	
Orange/ Red/ Green	Alternating	Display Module internal error			
–	OFF	Power is OFF.			

*1 Only when your screen editing software supports the Logic Program.

*2 Make sure your screen editing software supports the function.

NOTE: When Open Box is connected, even if its operating system is shut down, the status LED on the Display Module will display red if connected to a power supply.

Electrical Specifications

Specification		SP-5700WC	SP-5800WC	
Power supply	Rated input voltage	12...24 Vdc		
	Input voltage limits	10.8...28.8 Vdc		
	Voltage drop	12 Vdc: 1.25 ms or less 24 Vdc: 5 ms or less		
	Power consumption (primary power supply including power loss)	Max (including Box Module)	42 W	44 W
		Max (Display Module only)* ¹	17 W	19 W
		When power is not supplied to external devices (Display Module only)* ¹	14 W or less	16 W or less
		When screen turns off the backlight (Stand-by Mode) (Display Module only)* ¹	6 W or less	8 W or less
		When screen backlight 20% (Display Module only)* ¹	8 W or less	9 W or less
In-rush current	30 A or less			
Voltage endurance	1,000 Vac, 20 mA for 1 minute (between charging and FG terminals)			
Insulation resistance	500 Vdc, 10 MΩ or more (between charging and FG terminals)			

*1 The power consumption for the combined unit of Box Module and Display Module equals the sum of the power consumption for the Modules.

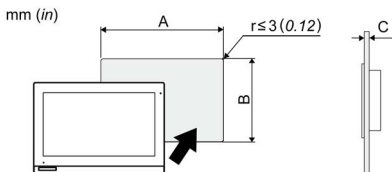
Environmental Specifications

Physical environment	Ambient air temperature	0...55 °C (32...131 °F)
	Storage temperature	-20...60 °C (-4...140 °F)
	Ambient air and storage humidity	10...90% RH (non-condensing, wet bulb temperature 39 °C [102.2 °F] or less)
	Dust	0.1 mg/m ³ (10 ⁻⁷ oz/ft ³) or less (non-conductive levels)
	Pollution degree	For use in Pollution Degree 2 environment
	Atmospheric pressure (operating altitude)	800...1,114 hPa (2,000 m [6,561 ft] or lower)

NOTE: When using any of the options for this product, check the specifications for special conditions or cautions that may apply to this product.

Panel Cut Dimensions

Based on the panel cut dimensions, open a mount hole on the panel.



Model name	A	B	C
SP-5700WC	396_{-0}^{+1} mm ($15.59_{-0}^{+0.04}$ in)	277_{-0}^{+1} mm ($10.91_{-0}^{+0.04}$ in)	1.6... 5 mm (0.06... 0.2 in)
SP-5800WC	465_{-0}^{+1} mm ($18.31_{-0}^{+0.04}$ in)	319_{-0}^{+1} mm ($12.56_{-0}^{+0.04}$ in)	

Installation Requirements

This product is designed for use on flat surfaces of Type 1, Type 4X (Indoor Use Only) or Type 13 Enclosure.

Mount this product in an enclosure that provides a clean, dry, robust and controlled environment (IP65F, IP66F, IP67F, Type 1, Type 4X [Indoor Use Only], or Type 13 Enclosure).

When using a factory-installed front USB cover (without screw), the front surface is IP65F, IP67F or Type 1 Enclosure. When using a front USB cover (with screw^{*1}) by Pro-face (Model Number PFXZCDCVUS1), the front surface is IP66F, IP67F, Type 1, Type 4X (Indoor Use Only) or Type 13 Enclosure.

Display front surface		Enclosure front surface
Without screw	With screw	
IP65F, IP67F, Type 1	IP66F, IP67F, Type 1, Type 4X (Indoor Use Only), Type 13	IP65F, IP66F, IP67F, Type 1, Type 4X (Indoor Use Only), Type 13

Installation

Regardless of using a factory-installed front USB cover or a front USB cover with screw, when the cover is open, the front surface is Type 1 Enclosure.

Be aware of the following when building this product into an end-use product:

- The rear face of this product is not approved as an enclosure. When building this product into an end-use product, be sure to use an enclosure that satisfies standards as the end-use product's overall enclosure.
- Install this product in an enclosure with mechanical rigidity.
- This product is not designed for outdoor use. UL certification obtained is for indoor use only.
- Install and operate this product with its front panel facing outward.

*1 The necessary torque is 0.5 N•m (4.4 lb-in).

NOTE: IP65F, IP66F and IP67F are not part of the UL certification.

CAUTION

RISK OF BURNING INJURY

Do not touch the rear chassis during operation.

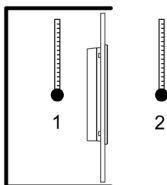
Failure to follow these instructions can result in injury or equipment damage.

Check that the installation wall or cabinet surface is flat, in good condition and has no jagged edges. Metal reinforcing strips may be attached to the inside of the wall, near the panel-cut, to increase its rigidity.

Decide on the thickness of the enclosure wall, based on the level of strength required: 1.6...5 mm (0.06...0.2 in).

Even if the installation wall thickness is within the recommended range for the panel cut dimensions, depending on wall's material, size, and installation location of this product and other devices, the installation wall could warp. To prevent warping, the installation surface may need to be strengthened.

Be sure that the ambient air temperature and the ambient humidity are within their designated ranges. Ambient air temperature: 0 to 55 °C (32 to 131 °F) (see the Environment Specifications for this product); ambient humidity: 10 to 90% RH; wet bulb temperature: maximum 39 °C (102.2 °F). When installing this product in a cabinet or enclosure, the ambient air temperature is the cabinet's or enclosure's internal temperature.

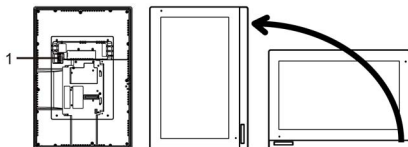


- 1 Cabinet interior
- 2 Panel face

Be sure that heat from surrounding equipment does not cause this product to exceed its standard operating temperature.

When mounting this product vertically, ensure that the right side of this product faces up. In other words, the DC power connector should be at the top.

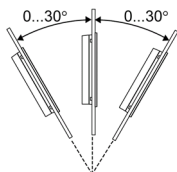
NOTE: For vertical mounting, make sure your screen editing software supports the function.



- 1 Power connector

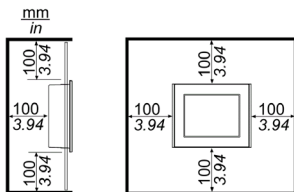
Installation

When installing this product in a slanted position, the product face should not incline more than 30°.



When installing this product in a slanted position with an incline more than 30°, the ambient temperature must not exceed 40 °C (104 °F). You may need to use forced air cooling (fan, A/C) to ensure the ambient operating temperature is 40 °C or less (104 °F or less).

For easier maintenance, operation and improved ventilation, install this product at least 100 mm (3.94 in) away from adjacent structures and other equipment as shown in the following illustration:



Please ensure you have enough space to insert and remove the storage card.

Installation Procedure

Installing to the Panel

DANGER

HAZARD OF ELECTRIC SHOCK, EXPLOSION OR ARC FLASH

- Remove all power from the device before removing any covers or elements of the system, and prior to installing or removing any accessories, hardware, or cables.
- Unplug the power cable from both the Display Module and the power supply.
- Always use a properly rated voltage sensing device to confirm power is off.
- Replace and secure all covers or elements of the system before applying power to the Display Module.

Failure to follow these instructions will result in death or serious injury.

NOTICE

EQUIPMENT DAMAGE

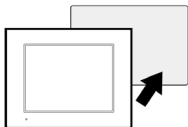
- When mounting this product vertically, first install the Box Module onto the Display Module before attaching the Display Module to the panel.
- Keep this product stabilized in the panel-cut while you are installing or removing the screw fasteners.

Failure to follow these instructions can result in equipment damage.

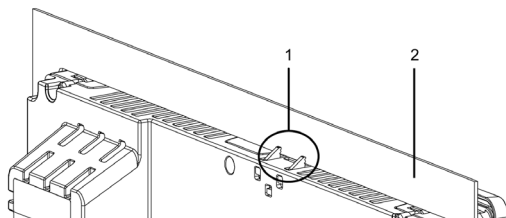
Step	Action
1	<p>When mounting this product vertically, place the Display Module on a clean and level surface with the screen facing down and mount the Box Module to the Display Module.</p> <p>NOTE: Refer to the SP5000 Series Hardware Manual or SP5000 Series (Box Module) Installation Guide on how to mount the Box Module to the Display Module.</p>
2	<p>Check that the Display Module's gasket is seated securely into the bezel's groove, which runs around the perimeter of the display panel frame.</p> <p>NOTE: Always use the installation gasket, since it absorbs vibration in addition to repelling water (see page 34).</p>

Installation

- 3 Based on the Display Module's panel cut dimensions (see page 13), open a mount-hole on the panel and attach the Display Module to the panel from the front side.



- 4 Confirm that the anti-drop lock on the top of the Display Module is attached to the panel.

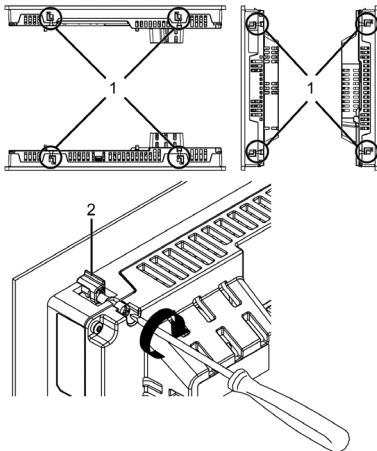


- 1 Anti-drop lock
2 Panel

- 5 Using a Phillips screwdriver, gradually tighten (turn clockwise) the screws for the fasteners (top, bottom, left, and right), alternating diagonally between screws until all are secure. Be sure that the L-shaped part of the installation fastener (2 in figure below) is completely vertical. The necessary torque is 0.5 N•m (4.4 lb-in).

NOTE:

- If the Display Module is not mounted properly, it may fall.
- If the panel is thick (approx. 5 mm [0.2 in]), you may have trouble straightening the L-shaped part of the installation fastener. If this happens, push the Display Module from the front as you tighten the screws.



1 Installation fastener

2 L-shaped part of the Installation fastener

Number of Installation Fasteners

Top	Bottom	Right	Left
2	2	2	2

NOTICE

BROKEN ENCLOSURE

Do not exert more than 0.5 N•m (4.4 lb-in) of torque when tightening the fastener's screws.

Failure to follow these instructions can result in equipment damage.

Removal Procedure

Removing from the Panel

DANGER

HAZARD OF ELECTRIC SHOCK, EXPLOSION OR ARC FLASH

- Remove all power from the device before removing any covers or elements of the system, and prior to installing or removing any accessories, hardware, or cables.
- Unplug the power cable from both the Display Module and the power supply.
- Always use a properly rated voltage sensing device to confirm power is off.
- Replace and secure all covers or elements of the system before applying power to this product.

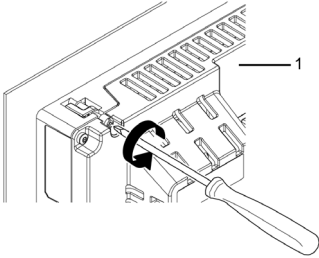
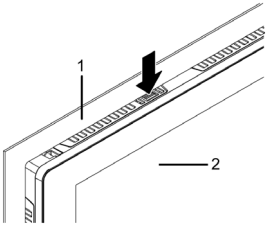
Failure to follow these instructions will result in death or serious injury.

NOTICE

EQUIPMENT DAMAGE

- When this product is mounted vertically, first remove the Display Module from the panel, then remove the Box Module from the Display Module.
- Keep this product stabilized in the panel-cut while you are installing or removing the screw fasteners.

Failure to follow these instructions can result in equipment damage.

Step	Action
1	<p data-bbox="220 164 926 273">Using a Phillips screwdriver, gradually loosen (turn counterclockwise) the screws for the fasteners (top, bottom, left, and right), alternating diagonally between screws until all screws are loose.</p>  <p data-bbox="220 623 370 652">1 Rear side</p> <p data-bbox="220 666 298 688">NOTE:</p> <ul data-bbox="220 703 926 819" style="list-style-type: none">• For the number of installation fasteners on your model, see Number of Installation Fasteners in Step 5 of Installing to the Panel (see page 19).• If the panel is thick (approx. 5 mm [0.2 in]), you may have trouble straightening the L-shaped part of the installation fastener. If this happens, push the display module from the front as you loosen the screws.
2	<p data-bbox="220 838 926 918">While pushing on the anti-drop lock on the top of the Display Module with a tool such as a screwdriver, slowly remove the Display Module from the panel.</p>  <p data-bbox="220 1253 329 1275">1 Panel</p> <p data-bbox="220 1282 370 1304">2 Front side</p>

⚠ CAUTION**RISK OF INJURY**

Do not drop this product when you remove it from the panel.

- Hold this product in place after removing the fasteners.
- Use both hands.
- While pushing on the anti-drop lock, be careful not to hurt your fingers.

Failure to follow these instructions can result in injury or equipment damage.

NOTICE**EQUIPMENT DAMAGE**

To avoid damage, remove this product while pushing the anti-drop lock or by making sure the lock does not touch the panel.

Failure to follow these instructions can result in equipment damage.

Wiring

DANGER

HAZARD OF ELECTRIC SHOCK, EXPLOSION OR ARC FLASH

- Remove all power from the device before removing any covers or elements of the system, and prior to installing or removing any accessories, hardware, or cables.
- Remove power before wiring this product's power terminals.
- Always use a properly rated voltage sensing device to confirm power is off.
- Replace and secure all covers or elements of the system before applying power to this product.
- This product uses only 12 to 24 Vdc power. Using any other level of power can damage both the power supply and this product.
- Since this product is not equipped with a power switch, be sure to connect a power switch to the power supply.
- Be sure to ground this product's FG terminal.

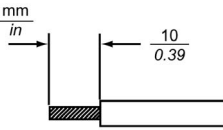
Failure to follow these instructions will result in death or serious injury.

NOTE:

- The SG (signal ground) and FG (functional ground) terminals are connected internally in this product.
- When the FG terminal is connected, be sure the wire is grounded. Not grounding this product can result in excessive electromagnetic interference (EMI).

DC Power Cord Preparation

- Make sure the ground wire is either the same or heavier gauge than the power wires.
- Do not use aluminum wires in the power supply's power cord.
- To prevent the possibility of a terminal short, use a pin terminal that has an insulating sleeve.
- If the ends of the individual wires are not twisted correctly, the wires may create a short circuit.
- The conductor type is solid or stranded wire.
- Use copper wire rated for 75 °C (167 °F).

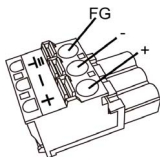
Power cord diameter	0.75...2.5 mm ² (18...13 AWG) ^{*1}
Conductor type	Solid or stranded wire
Conductor length	
Recommended driver ^{*2}	SZS 0.6 x 3.5 (1205053)
Recommended pin terminals ^{*2}	3201288 Al 0,75 - 10 GY 3200182 Al 1 - 10 RD 3200195 Al 1,5 - 10 BK 3202533 Al 2,5 - 10 BU
Recommended pin terminal crimp tool ^{*2}	CRIMPFOX6

*1 For UL compatibility, use AWG 14 or AWG 13.

*2 Items are made by Phoenix Contact.

Power Connector Specifications: Spring Clamp Terminal Blocks

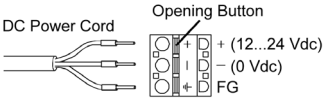
Right-angle type



Connection	Wire
+	12...24 Vdc
-	0 Vdc
FG	Grounded terminal connected to the panel chassis.

NOTE: Right-angle type: PFXZCBCNDC2 by Pro-face.

How to Connect the DC Power Cord

Step	Action
1	Confirm the power cord is not connected to the power supply.
2	Check the rated voltage, and remove the "DC24V" sticker on the DC power supply connector.
3	Connect each wire from the power cable to a pin terminal.
4	Push the Opening button with a small slot-head screwdriver to open the desired pin hole.
5	<p>Insert each power cord wire into its corresponding holder. Release the Opening button to clamp the wire in place.</p>  <p>When using stranded wire, do not short with neighboring wires.</p>
6	<p>After inserting all three power cord wires, insert the DC power supply connector into the power connector on this product.</p> <p>NOTE: When using the DC power connector with screws by Pro-face (straight-type, model number CA7-ACCNL-01), use a slot-head screwdriver to affix the screws on both sides of the connector. The necessary torque is 0.5 N•m (4.4 lb-in).</p>

NOTE:

- Do not solder the wire directly to the power crimp pin.
- If the wire is not inserted into the FG terminal properly, touch may not respond normally.

Wiring Precautions



SHORT CIRCUIT, FIRE, OR UNINTENDED EQUIPMENT OPERATION

Avoid excessive force on the power cable to prevent accidental disconnection

- Securely attach power cables to an installation panel or cabinet.
- Install and fasten this product on installation panel or cabinet prior to connecting power supply and communication lines.

Failure to follow these instructions will result in death or serious injury.

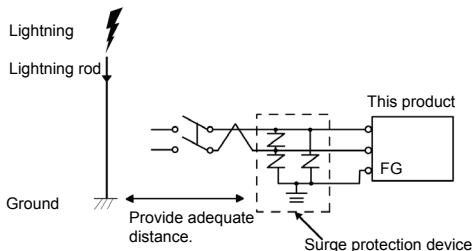
Improving Noise/Surge Resistance

- This product's power supply cord should not be bundled with or kept close to main circuit lines (high voltage, high current), power lines, or input/output lines, and their various systems should be kept separate. When power lines cannot be wired via a separate system, use shielded cables for input/output lines.
- Make the power cord as short as possible, and be sure to twist the ends of the wires together (i.e. twisted pair cabling) from close to the power supply unit.
- If there is an excess amount of noise on the power supply line, connect a noise reducing transistor before turning on the power.
- Connect a surge protection device to handle power surges.
- To increase noise resistance, attach a ferrite core to the power cable.

Power Supply Connections

- Branch Circuit Protective device shall be used for rating 20 A for 12 to 24 Vdc input device on this product.
- You must use DC input with an isolating source for this product.
- Use SELV (Safety Extra-Low Voltage) circuit and LIM (Limited Energy) circuit for DC input.

- The following shows a surge protection device connection:



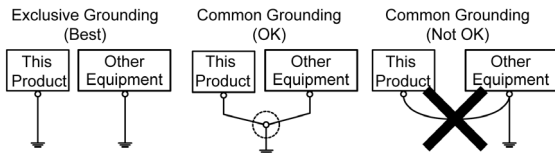
Attach a surge protection device to prevent damage to this product as a result of a lightning-induced power surge from a large electromagnetic field generated from a direct lightning strike. We also strongly recommend to connect the crossover grounding wire of this product to a position close to the ground terminal of the surge protection device.

It is expected that there will be an effect on this product due to fluctuations in grounding potential when there is a large surge flow of electrical energy to the lightning rod ground at the time of a lightning strike. Provide adequate distance between the lightning rod grounding point and the surge protection device grounding point.

Grounding

- Check that the grounding resistance is $100\ \Omega$ or less.*¹
- The FG wire should have a cross sectional area greater than $2\ \text{mm}^2$ (AWG14)*¹. Create the connection point as close to this product as possible, and make the wire as short as possible. When using a long grounding wire, replace the thin wire with a thicker wire, and place it in a duct.

*¹ Observe local codes and standards.



Short Circuit Prevention

- The SG (signal ground) and FG (functional ground) terminals are connected internally in this product. When connecting the SG line to another device, be sure that no shorting loops are formed.

Front USB Cover

When using a factory-installed front USB cover (without screw), the front surface is IP65F, IP67F or Type 1 Enclosure. When using a front USB cover (with screw^{*1}) by Pro-face (Model Number PFXZCDCVUS1), the front surface is IP66F, IP67F, Type 1, Type 4X (Indoor Use Only) or Type 13 Enclosure.

Regardless of using a factory-installed front USB cover or a front USB cover with screw, when the cover is open, the front surface is Type 1 Enclosure.

*1 The necessary torque is 0.5 N•m (4.4 lb-in).

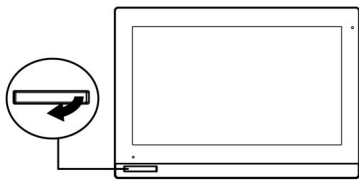
NOTE: IP65F, IP66F and IP67F are not part of the UL certification.

▲ CAUTION

RISK OF INJURY

When opening the front USB cover, be careful not to injure your fingers.

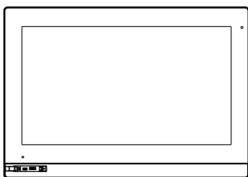
Failure to follow these instructions can result in injury or equipment damage.

Step	Action
1	<p>Place your finger or a tool such as a screwdriver in the gap on the front USB cover and pull out as illustrated.</p>  <p>NOTE:</p> <ul style="list-style-type: none"> When using the front USB cover by Pro-face (Model Number PFXZCDCVUS1), loosen the screw using a Phillips screwdriver. The necessary torque is 0.5 N•m (4.4 lb-in).

Front USB Cover

2

The USB interface can be seen once you pull out the front USB cover.

***NOTICE*****BROKEN ENCLOSURE**

Do not exert more than 0.5 N•m (4.4 lb-in) of torque when tightening the screw.

Failure to follow these instructions can result in equipment damage.

Front USB Port

USB Connections

NOTE: Use only the SELV (Safety Extra-Low Voltage) circuit to connect the USB interfaces.

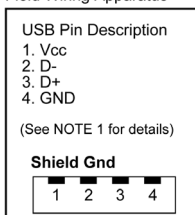
Non-incendive field wiring apparatus (keyboards, mouse) are permitted for use on front USB port (Type A) of associated field wiring non-incendive Apparatus (this product). Non-incendive field wiring apparatus (this product) are permitted for use on front USB port (mini-B) of associated field wiring non-incendive apparatus (Computer)

In addition to being non-incendive, any equipment connected to the front USB ports must satisfy the following criteria.

The following figures show the USB cable wiring:

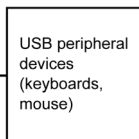
<Type A>

Associated Non-incendive
Field Wiring Apparatus



Class I, Division 2 Groups A, B,
C, D, or non-hazardous location

Non-incendive Field
Wiring Apparatus



Class I, Division 2
Groups A, B, C, D

USB Cable

Circuit parameters	Front USB (Type A)
Open-circuit voltage = V_{oc}	5.25 Vdc
Short-circuit current = I_{sc}	1300 mA
Associated capacitance = C_a	265 μ F
Associated inductance = L_a	16 μ H

Front USB Port

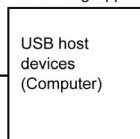
<mini-B>

Non-incendive
Field Wiring Apparatus



Class I, Division 2
Groups A, B, C, D

Associated Non-incendive
Field Wiring Apparatus



Class I, Division 2
Groups A, B, C, D
or non-hazardous location

USB Cable

Circuit parameters	Front USB (mini-B)
Maximum input voltage = V_{max}	5.25 Vdc
Maximum load current = I_{max}	0.1 mA
Internal capacitance = C_i	0.24 μ F
Internal inductance = L_i	16 μ H

NOTE:

1. The above tables list the Non-incendive Circuit Parameters.

The Entity Concept allows interconnection of non-incendive apparatus with associated apparatus – not specifically examined combinations – as a system when the approved values of V_{oc} (or U_o) and I_{sc} (or I_o) for the associated apparatus are less than or equal to V_{max} (U_j) and I_{max} (I_j) for the non-incendive apparatus, and the approved values of C_a (C_o) and L_a (L_o) for the associated apparatus are greater than or equal to $C_i + C_{cable}$ and $L_i + L_{cable}$, respectively, for the non-incendive field wiring apparatus.

2. Associated non-incendive field wiring apparatus and non-incendive field wiring apparatus shall satisfy the following:

Associated non-incendive field wiring apparatus	–	Non-incendive field wiring apparatus
V_{oc}	\leq	V_{max}
I_{sc}	\leq	I_{max}
C_a	\geq	$C_i + C_{cable}$
L_a	\geq	$L_i + L_{cable}$

3. If the electrical parameters of the cable are unknown, the following values may be used:
- $C_{\text{cable}} = 196.85 \text{ pF/m (60 pF/ft)}$
 - $L_{\text{cable}} = 0.656 \text{ } \mu\text{H/m (0.20 } \mu\text{H/ft)}$
4. Wiring methods must be in accordance with the electrical code of the country where it is used.

This product must be installed in an enclosure. If installed in a Class I, Division 2 Location, the enclosure must be capable of accepting one or more Division 2 wiring methods.

⚠ DANGER

POTENTIAL FOR EXPLOSION

- Verify that the power, input and output (I/O) wiring are in accordance with Class I, Division 2 wiring methods.
- Substitution of any component may impair suitability for Class I, Division 2.
- Do not disconnect equipment while the circuit is live or unless the area is known to be free of ignitable concentrations.
- Remove power before attaching or detaching any connectors to or from this product.
- Ensure that power, communication, and accessory connections do not place excessive stress on the ports. Consider the vibration in the environment when making this determination.
- Securely attach power, communication, and external accessory cables to the panel or cabinet.
- Use only commercially available USB cables.
- Use only non-incendive USB configurations.
- The associated non-incendive field wiring apparatus shall not be connected in parallel unless approved by the associated non-incendive apparatus.
- This product is suitable for use and provides non-incendive field wiring to apparatus in Class I, Division 2, Groups A, B, C, D Hazardous Locations.

Failure to follow these instructions will result in death or serious injury.

Cleaning This Product

NOTICE

EQUIPMENT DAMAGE

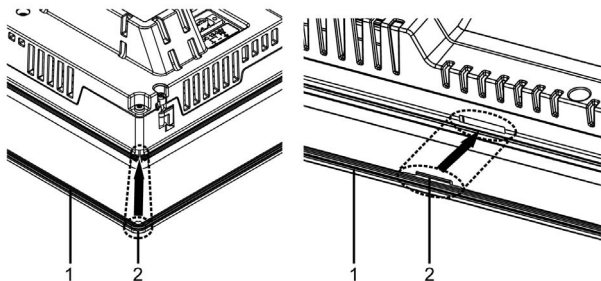
- Power off this product before cleaning it.
- Do not use hard or pointed objects to operate the touch panel.
- Do not use paint thinner, organic solvents, or a strong acid compound to clean the unit.

Failure to follow these instructions can result in equipment damage.

When this product gets dirty, soak a soft cloth in water with a neutral detergent, wring the cloth tightly and wipe this product.

Replacing the Installation Gasket

The installation gasket is on the rear of the display. Replace it when needed. Use only the replacement gasket for this product (model number PFXZCGWG152 for SP-5700WC, PFXZCGWG192 for SP-5800WC). The gasket must be inserted correctly into the groove for moisture resistance on the Display Module.



- 1 Installation gasket
- 2 Protruding point

⚠ CAUTION**EQUIPMENT DAMAGE**

Be careful not to stretch the gasket unnecessarily.

Failure to follow these instructions can result in injury or equipment damage.

NOTICE**GASKET AGING**

- Inspect the gasket periodically as required by your operating environment.
- Change the gasket at least once a year, or as soon as scratches or dirt become visible.

Failure to follow these instructions can result in equipment damage.

Standards

For information on certifications and standards, such as certified models and certificates, see the product markings or the following URL:
<http://www.pro-face.com/trans/en/manual/1002.html>

DANGER

POTENTIAL FOR EXPLOSION

- Suitable for use in Class I, Division 2, Groups A, B, C, and D Hazardous Locations.
- Substitution of any component may impair suitability for Class I, Division 2.
- Do not disconnect equipment while the circuit is live or unless power the area is known to be free of ignitable concentrations.
- Always confirm that this product is suitable for use in hazardous locations by checking that the ANSI/ISA 12.12.01 and CSA C22.2 N°213 certification appears on the product labeling.
- Do not attempt to install, operate, modify, maintain, service, or otherwise alter this product except as permitted in this manual. Unpermitted actions may impair the suitability of this product for Class I, Division 2 operation.
- To power on or power off this product installed in a Class I, Division 2 hazardous location, you must either:
 - Use a switch located outside the hazardous environment, or
 - Use a switch certified for Class I, Division 1 operation inside the hazardous area.
- Do not disconnect equipment unless power has been switched off or the area is known to be non-hazardous. This applies to all connections including power, ground, serial, parallel, and network connections.
- Never use unshielded / ungrounded cables in hazardous locations.
- When enclosed, keep enclosure doors and openings closed at all times to avoid the accumulation of foreign matter inside the workstation.

Failure to follow these instructions will result in death or serious injury.

The following message is for UL Hazardous Locations.

⚠ DANGER

RISQUE D'EXPLOSION

- Le remplacement de n'importe quel composant peut nuire à la conformité à la Classe I, Division 2.
- Avant de déconnecter l'équipement, couper le courant ou s'assurer que l'emplacement est désigné non dangereux.

Le non-respect de ces instructions provoquera la mort ou des blessures graves.

Inquiry

Do you have any questions about difficulties with your unit?

Please access our site any time that you need help with a solution.

<http://www.pro-face.com/trans/en/manual/1001.html>

Note

Please be aware that Schneider Electric shall not be held liable by the user for any damages, losses, or third party claims arising from the uses of this product.

