

**Pro-face®**

GP3000H Series  
Hardware Manual

# Preface

Thank you for purchasing Pro-face's GP3000H Series Programmable Operator Interface (Hereafter referred to as the "GP unit").

Before operating your GP unit, be sure to read this manual to familiarize yourself with the GP unit's operation procedures and features.

## NOTICE

1. Copying this manual's contents, either in whole or in part, is prohibited without the express permission of Digital Electronics Corporation, Japan.
2. The information contained in this manual is subject to change without notice.
3. Should you find any errors or omissions in this document, please contact Digital Electronics Corporation to report your findings.
4. Regardless of Clause 3 above, Digital Electronics Corporation shall not be held responsible for any damages, losses or third-party damages resulting from the use of this product.

© 2008 Copyright Digital Electronics Corporation. All rights reserved.





Product names used in this manual are the trademarks / registered trademarks of their respective owners.

# Essential Safety Precautions

All safety-related procedures stated in this document must be followed to operate the GP correctly and safely. Be sure to read this and any related documents thoroughly to understand the correct operation and functions of the GP unit.

## Safety Icons

Throughout this manual, these icons provide essential safety information for GP operation procedures requiring special attention. These icons indicate the following levels of danger:






 <b>WARNING</b>	Indicates situations where severe bodily injury, death or major equipment damage can occur.
 <b>CAUTION</b>	Indicates situations where slight bodily injury or minor equipment damage can occur.
	Indicates actions or procedures that should NOT be performed.
	Indicates actions or procedures that MUST be performed to ensure correct unit operation.

---

## WARNING

---

## System Design

-  Do not make switches using the switches on the touch panels which may cause operator injury and machine damage. An output may remain either ON or OFF due to a malfunction of the GP unit, it's I/O unit(s) or cable(s), which may cause a major accident. To prevent this, set up circuits such as limiters that will monitor vital output signals. Design switches for important operations to be performed by separate devices. An incorrect output or malfunction can occur and thereby cause an accident.
-  Do not create GP touch panel switches to control machine safety operations, such as an emergency stop switch. Install these switches as separate hardware switches, otherwise severe bodily injury or equipment damage can occur.
-  Be sure to design your system so that a communication fault between the GP and its host controller will not cause equipment to malfunction. This is to prevent any possibility of bodily injury or equipment damage.
-  Do not use the GP as a warning device for critical alarms that can cause serious operator injury, machine damage or can halt system operation. Critical alarm indicators and their control/activator units must be designed using stand-alone hardware with redundancy and/or mechanical interlocks.
-  Do not use the GP with aircraft control devices, aerospace equipment, central trunk data transmission (communication) devices, nuclear power control devices, or medical life support equipment, due to these devices' inherent requirements of extremely high levels of safety and reliability.

- ❗ When using the GP with transportation vehicles (trains, cars, and ships), disaster and crime prevention devices, various types of safety equipment, and medical devices that are not life-support related, use redundant and/or failsafe system designs to ensure proper reliability and safety.
- ⊘ After the GP unit's backlight burns out the touch panel is still active, unlike the GP unit's "Standby Mode". If the operator fails to notice that the backlight is burned out and touches the panel, a potentially dangerous machine operation error can occur. Therefore, do not create GP unit touch panel switches that may cause injury and/or equipment damage. If your GP unit's backlight suddenly turns OFF, use the following steps to determine if the backlight is actually burned out.
  - 1) If the GP unit's "Backlight Control" is not set and the screen has gone blank, your backlight is burned out.
  - 2) If the GP unit's "Backlight Control" is set to Standby Mode and the screen has gone blank, and touching the screen or performing another input operation does not cause the display to reappear, your backlight is burned out.

## Handling

- ⊘ Do not disassemble or modify the GP unit. Doing so may cause a fire or an electric shock.
- ⊘ Do not operate the GP in an environment where flammable gases are present, since it may cause an explosion.

## Wiring

- ❗ To prevent electrical shock or equipment damage, unplug the GP unit's power cord from the power supply prior to installing or wiring the GP.
- ❗ To prevent an electric shock, be sure to disconnect your GP unit's power cord from the power supply before wiring the GP.
- ⊘ Do not use voltage beyond the GP unit's specified range. Doing so may cause a fire or an electric shock.
- ❗ The cables connected to the GP should be secured by cable clamps to prevent weight or tension of the cables added to the connectors or terminals.
- ❗ The GP unit's wiring should be checked to confirm that both the operating voltage and wiring terminal locations are correct. If either the voltage or the wiring terminal location is incorrect, it can cause a fire or malfunction.

## Maintenance

- ⊘ NEVER touch a live power terminal. Doing so could cause an electrical shock or a machine malfunction.
- ⊘ To prevent an electrical shock, unplug the GP unit's power cord before either cleaning the GP or attaching/detaching the power terminal attachment screws.

- ⊘ When replacing the GP unit's backlight, be sure to unplug the unit's power cord to prevent an electrical shock, and wear safety gloves to prevent burns.
- ⊘ Do not connect or disconnect Host and GP unit communication cables while the GP is turned ON.
- ⊘ Do not replace the GP unit's battery yourself. The GP uses a lithium battery for backing up its internal clock data and the battery may explode if it is replaced incorrectly. When replacement is required, please contact your local GP distributor.

---

## CAUTION

---

### Installation

- ⚠ Be sure all cable connectors are securely attached to the GP unit. A loose connection may cause incorrect input or output signals.

### Wiring

- ⚠ Be sure to ground the GP unit's FG wire separately from other equipment FG lines. Also, be sure to use a grounding resistance of  $100\Omega$  or less and a  $2\text{mm}^2$  or thicker wire, or your country's applicable standard. Otherwise, electric shock or malfunctions may result.
- ⚠ Be sure that metal particles and wiring debris do not fall inside the GP unit. They can cause a fire, malfunction or incorrect unit operation.

### Maintenance

- ⊘ Be sure to turn the GP unit's CF Card ACCESS switch OFF and confirm that the ACCESS lamp is not lit prior to inserting or removing a CF Card. Otherwise, CF Card internal data may be damaged or lost.
- ⊘ Do not reset or turn the GP OFF, or insert or remove the CF Card while the GP unit's CF Card is being accessed. Create special application screens to perform operations like turning power OFF, resetting the GP or inserting or removing the CF Card.

### Unit Disposal

- ⚠ When the product is disposed of, it should be done so according to your country's regulations for similar types of industrial waste.

### General Safety Precautions

- ⊘ Do not press on the GP unit's display with excessive force or with a hard object, since it can damage the display. Also, do not press on the touch panel with a pointed object, such as the tip of a mechanical pencil or a screwdriver, since doing so can damage the touch panel.
- ⊘ Do not install the GP where the ambient temperature exceeds the specified range. Doing so may cause a unit malfunction.

- ⊘ To prevent abnormally high temperatures from occurring inside the GP, do not restrict or block the GP unit's rear-face ventilation slots.
- ⊘ Do not operate the GP in areas where large, sudden temperature changes can occur. These changes can cause condensation to form inside the GP, possibly causing it to malfunction.
- ⊘ Do not allow water, liquids or metal fragments to enter inside the GP unit's case, since they can cause either a malfunction or an electric shock. The allowable pollution degree is 2.
- ⊘ Do not operate or store the GP in locations where it can be exposed to direct sunlight, high temperatures, excessive dust, moisture or vibration.
- ⊘ Do not operate or store the GP where chemicals evaporate, or where chemicals are present in the air.  
Corrosive chemicals: Acids, alkalines, liquids containing salt  
Flammable chemicals: Organic Solvents
- ⊘ Do not use paint thinner or organic solvents to remove dirt or oil from the GP unit's surface. Instead, use a soft cloth moistened with a diluted neutral detergent.
- ⊘ Do not use or store the GP in areas with direct sunlight, since the sun's ultraviolet rays may cause the LCD's quality to deteriorate.
- ❗ Do not store the GP in an area where the temperature is lower than that recommended in the GP unit's specifications. Doing so may cause the LCD display's liquid to congeal, which can damage the LCD. Also, if the storage area's temperature becomes higher than the specified level, the LCD's liquid may become isotropic, causing irreversible damage to the LCD. Therefore, only store the GP in areas where temperatures are within the GP unit's specifications.
- ❗ After turning OFF the GP, be sure to wait a few seconds before turning it ON again. The GP may not operate correctly if it is restarted too quickly.
- ❗ Be sure to back up the GP screen data in case they are lost accidentally.




## LCD Panel Usage Precautions

- The LCD panel's liquid contains an irritant. If the panel is damaged and any of this liquid contacts your skin, immediately rinse the area with running water for at least 15 minutes. If the liquid gets in your eyes, immediately rinse your eyes with running water for at least 15 minutes and consult a doctor.
- The GP unit's LCD screen may flicker or show unevenness in the brightness of certain images or at some contrast settings. This is an LCD characteristic and not a product defect.
- There's an individual difference in brightness and tone of LCD screen. Please be aware of this difference before using the lined-up plural units.
- Depending on the ambient temperature, LCD displays may sometimes look whitish (at high temperatures) or blackish (at low temperatures). This is an LCD characteristic and not a product defect.

- Some of GP unit's LCD screens may contain black and white colored pixels. This is an LCD characteristic and not a product defect.
- Extended shadows, or “Crosstalk” may appear on the sides of screen images. This is an LCD characteristic and not a product defect.
- The color displayed on the GP unit's LCD screen may appear different when seen from outside the specified viewing angle. This is an LCD characteristic and not a product defect.
- When the same image is displayed on the GP unit's screen for a long period, an afterimage may appear when the image is changed. If this happens, turn off the GP, wait 10 seconds and then restart the unit. This is an LCD characteristic and not a product defect.
- To prevent an afterimage:
  - \* Set the GP unit's display OFF feature when you plan to display the same screen image for a long period of time.
  - \* Change the screen image periodically and try to not display the same image for a long period of time.
- Please be aware that characteristics of the GP unit's LCD screen with a white LED backlight may change gradually owing to the deterioration of the backlight LED and the LCD display may look bluish.

## Information Symbols

This manual uses the following icons:

	Indicates a warning or a product limitation. Be sure to follow the instructions given with this icon to ensure the safe operation of the GP.
Screen Editor	Indicates the GP-Pro EX software.
PLC	Abbreviation for Programmable Logic Controller.
*	Indicates useful or important supplemental information.
	Contains additional or useful information.
	Indicates pages containing related information.



## GP3000H Series Model Name Indication

Model name

**AGP3\*\*\*H-\*1-\*\*\*-\*\*\*\***  

A B C D E

A	3	5.7-inch AGP-3300HL/AGP-3300HS: QVGA (320 x 240 pixels) AGP-3310HT: VGA (640 x 480 pixels)
B	00	Standard machine
	10	
C	L	Monochrome LCD
	S	STN color LCD
	T	TFT color LCD
D	D24	DC type power supply is used.
E	None	Standard type

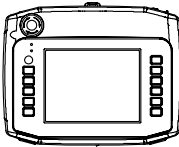
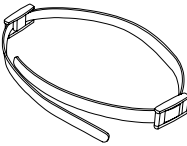
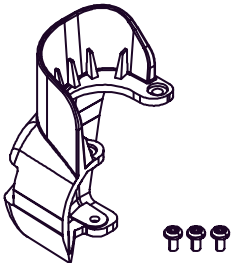
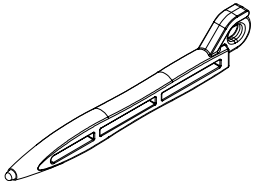
### GP3000H Series Model Names

The term "GP3000H" Series refers to the following GP model numbers:

	Series	Names	Models
GP3000 series	GP-3300H series	AGP-3300HL	AGP3300H-L1-D24
		AGP-3300HS	AGP3300H-S1-D24
		AGP-3310HT	AGP3310H-T1-D24

## Package Contents

The following items are included in the GP unit's package. Before using the GP, please check that all items listed here are present.

<p>GP Unit: 1</p> 	<ul style="list-style-type: none"> <li>• English and Japanese Installation Guides (1 of each)</li> <li>• Warning/Caution Information (1)</li> </ul>	<p>Hand Strap: 1</p> 	<p>Hanger: 1 (Attached to the GP unit) The hanger is used to hang the GP unit on a wall.</p>
<p>Emergency Switch Guard: 1 Attachment Screws: 3 (Only for the GP unit with the Emergency Switch)</p> 	<p>Function Switch Sheet: 5 sets/sheet, 1 set (Attached to the GP unit)</p> <p>Connector Cover: 1 (Attached to the GP unit)</p>	<p>Touch Pen: 1 (Attached to the GP unit)</p> 	

This unit has been carefully packed, with special attention to quality. However, should you find anything damaged or missing, please contact your local GP distributor immediately.

## UL/c-UL Approval

The following units are UL/c-UL listed products. (UL File No.E220851)

Product Model Number	UL/c-UL Registration Model Number
AGP3300H-L1-D24	3610005-03
AGP3300H-S1-D24	3610005-02
AGP3310H-T1-D24	3610005-01

This product conforms to the following standards:

- UL508 Industrial Control Equipment
- CSA-C22.2 No.142-M1987 (c-UL approval) Industrial Control Equipment

### <Cautions>

Be aware of the following item when building the GP into an end-use product:

- The GP unit must be used indoors only.

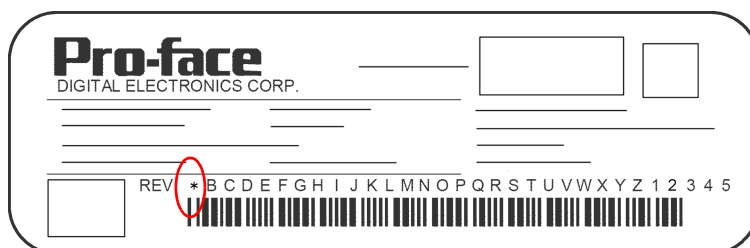
## CE Marking

The following units are CE marked products complying with the EMC Directive. They comply with EN55011 Class A, EN61000-6-2.

AGP3300H-L1-D24
AGP3300H-S1-D24
AGP3310H-T1-D24

## About Revision

The nameplate on the GP has the revision number of the GP. In the example below, the asterisk, which is placed at the “A” position, shows that the revision number is “A”.



# Contents

Preface .....	1
Essential Safety Precautions.....	2
Information Symbols.....	7
GP3000H Series Model Name Indication.....	8
GP3000H Series Model Names .....	8
Package Contents .....	9
UL/c-UL Approval.....	10
CE Marking.....	10
About Revision .....	10

## Chapter 1 Overview

1.1 System Design.....	1-2
1.2 Accessories .....	1-6
1.2.1 GP3000H Cable Connector.....	1-6
1.2.2 USB Host Interface.....	1-6
1.2.3 CF Card Items .....	1-7
1.2.4 Option Items .....	1-7
1.2.5 Maintenance Items .....	1-7
1.2.6 Peripheral options for the GP3000H Conversion Adaptor. ....	1-7
1.2.7 Maintenance options for the GP3000H Conversion Adaptor.....	1-9
1.3 Part Names and Functions .....	1-10

## Chapter 2 Specifications

2.1 General Specifications .....	2-2
2.1.1 Electrical Specifications .....	2-2
2.1.2 Environmental Specifications.....	2-2
2.1.3 External Specifications .....	2-3
2.2 Performance Specifications .....	2-4
2.2.1 Performance Specifications .....	2-4
2.2.2 Display Specifications.....	2-6
2.2.3 Touch Panel Specifications.....	2-6
2.3 Connection with Peripheral Equipment (Specifications of the GP3000H Direct Connect Cable) .....	2-7
2.3.1 Serial Interfaces.....	2-8
2.3.2 Ethernet Interface .....	2-9
2.3.3 DC24V Interface .....	2-9
2.3.4 3-Position Enable Switch Output Interface .....	2-12

2.3.5	Emergency Switch Output Interface .....	2-12
2.3.6	Key Switch Output Interface .....	2-13
2.3.7	Connecting the GP Unit.....	2-14
2.4	Dimensions .....	2-15
2.4.1	Dimensions .....	2-15
2.4.2	External Dimensions of the Emergency Switch Guard.....	2-15

## Chapter 3 Fixing the GP and Attaching Accessories

3.1	Fixing the GP3000H .....	3-2
3.1.1	Hand Strap.....	3-2
3.1.2	Neck Strap .....	3-3
3.1.3	Wall Mount Adaptor .....	3-3
3.2	Instructions for Mounting Accessories .....	3-4
3.2.1	Attaching the Emergency Switch Guard.....	3-4
3.2.2	Replacing the Function Switch Sheets .....	3-5
3.3	CF Card Insertion/Removal .....	3-6
3.3.1	Inserting the CF Card .....	3-7
3.3.2	Removing the CF Card .....	3-8
3.3.3	CF Card Handling .....	3-8

## Chapter 4 Maintenance

4.1	Cleaning the Display.....	4-2
4.2	Periodic Check Points.....	4-3
4.3	Replacing the Backlight .....	4-4

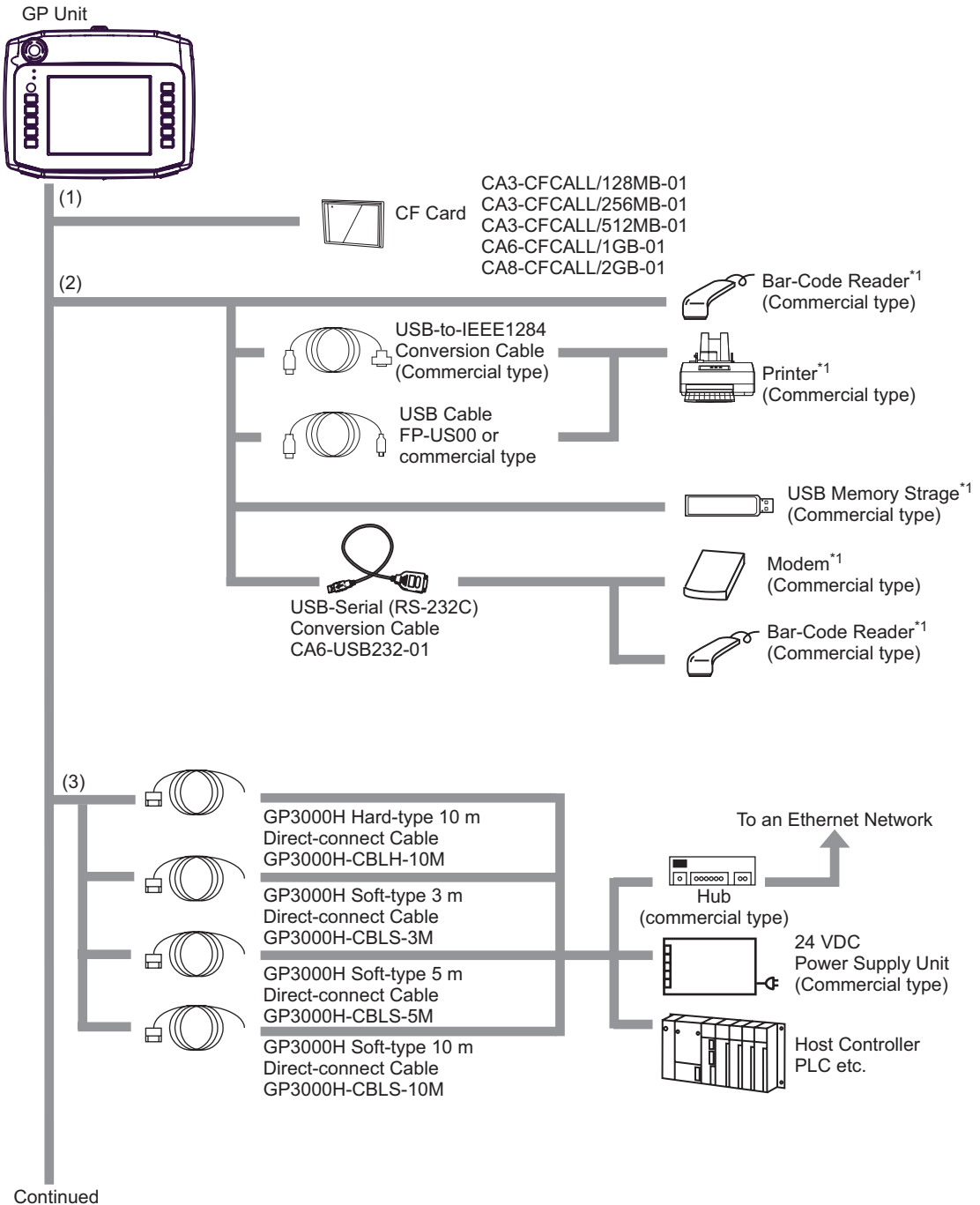
# 1 | Overview

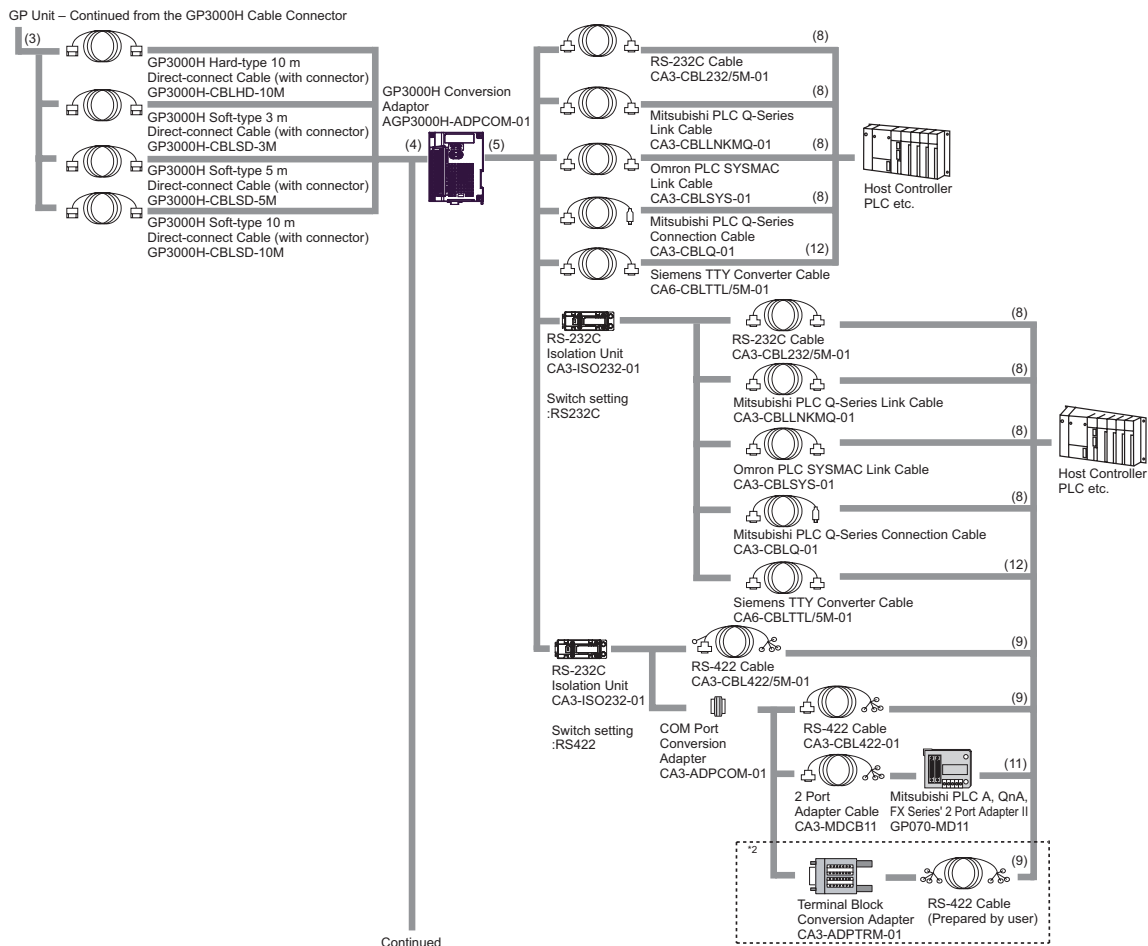
1. System Design
2. Accessories
3. Part Names and Functions

## 1.1 System Design

The following diagram illustrates the standard range of items that can be connected to GP-3000H Series unit. For host controller (PLC, etc.) connection information, refer to the "GP-Pro EX Device/PLC Connection Manual".

### ◆GP RUN Mode Peripherals



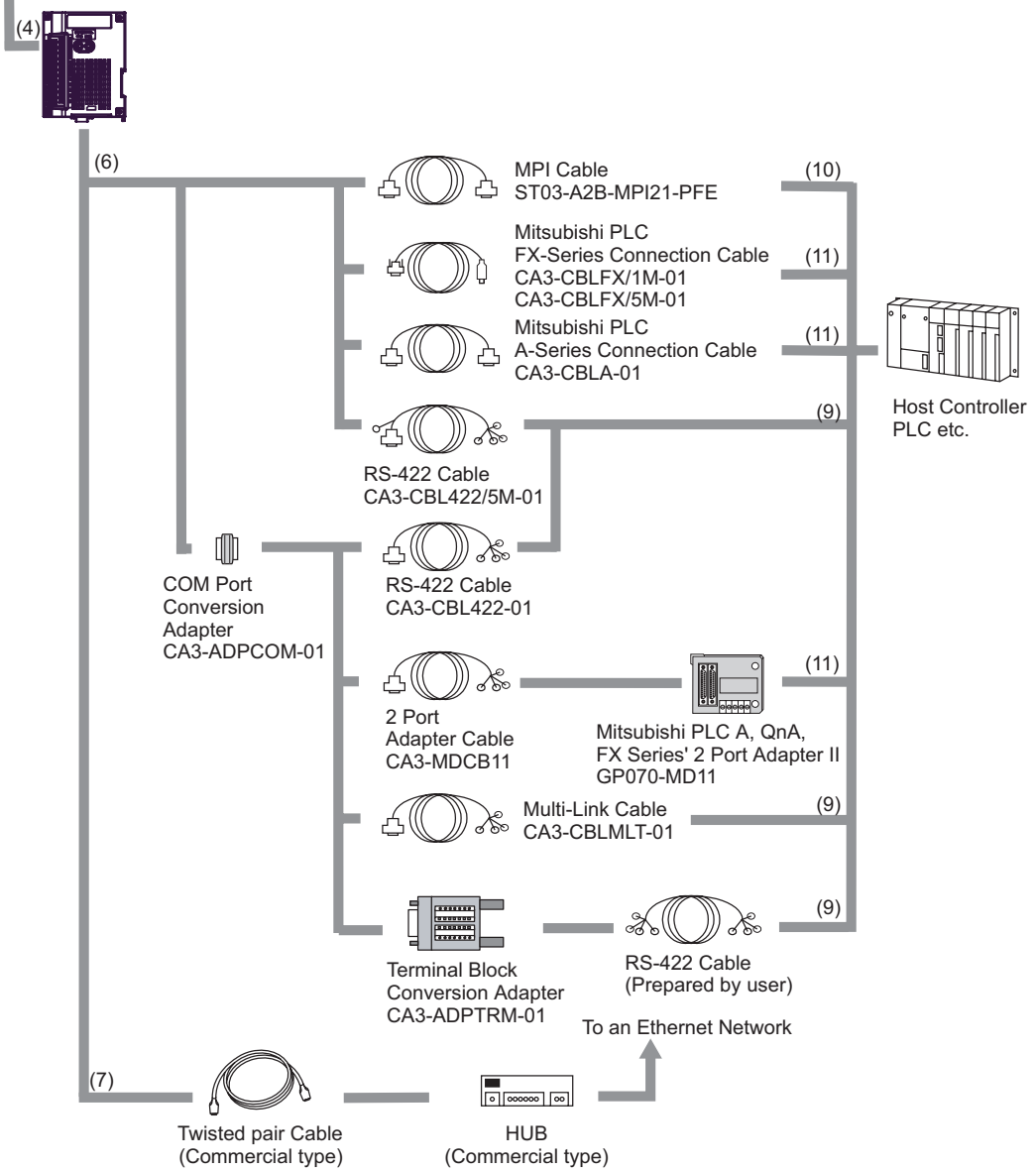


**NOTE**

- When connecting the CA3-ISO232-01, the 9 Pin's setting of COM port is required to be VCC. COM port settings can be set with the GP-Pro EX or in GP's offline mode.



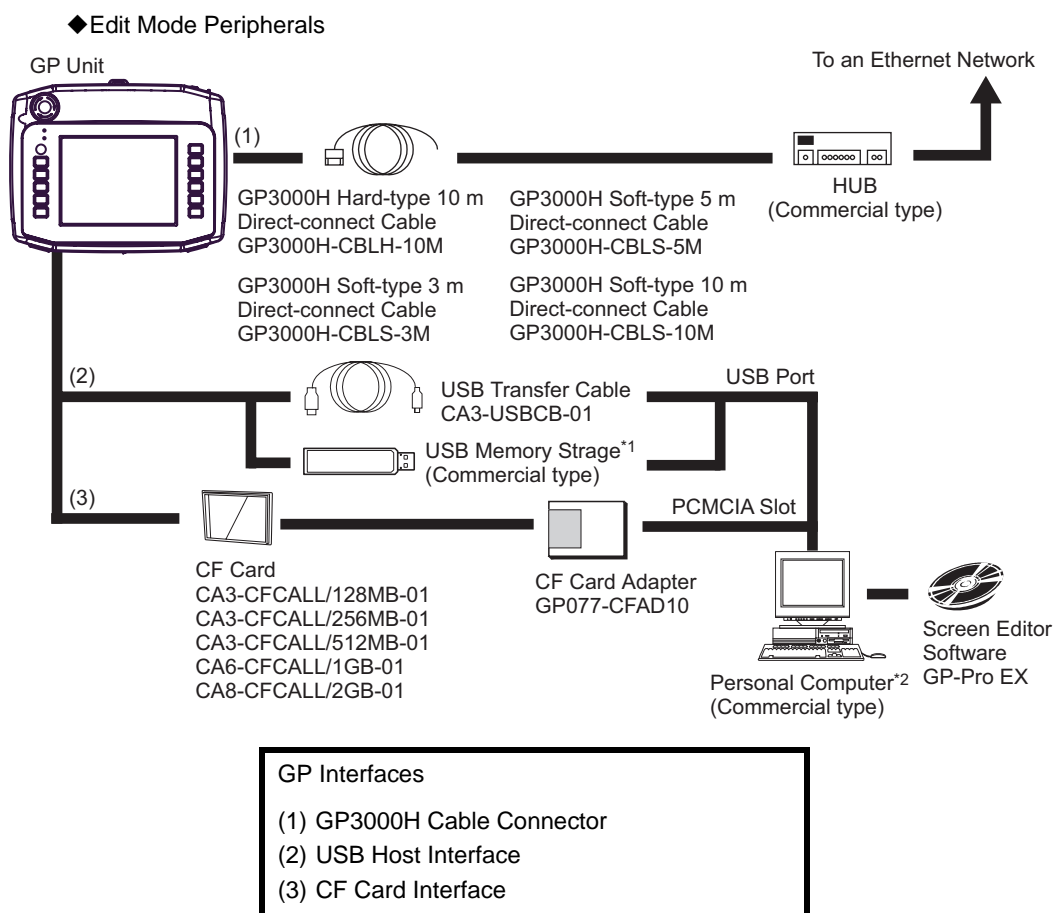
GP3000H Conversion Adaptor  
Continued from External Interface



GP Interfaces	PLC Interfaces
(1) CF Card Interface	(8) RS-232C Port
(2) USB Host Interface	(9) RS-422 Port
(3) GP3000H Cable Connector GP3000H Conversion Adaptor Interface	(10) RS-485 Port
(4) External Interface	(11) Programming Console Port
(5) Serial Interface (RS-232C mode)	(12) PG Port
(6) Serial Interface (RS-422 mode)	
(7) Ethernet Interface (10BASE-T/100BASE-TX)	

- \*1 For supported models, refer to Pro-face's support site "Otasuke Pro!" (<http://www.pro-face.com/otasuke/>). You can connect to this site by clicking the GP-Pro EX's [Help (H)] menu-[Connect to Support Site "Otasuke Pro!" (O)] command.
- \*2 Supports only 4-wire 1:1 connection.
- \*3 Certain types and models of PCs cannot be used.

**SEE →** *GP-Pro EX Reference Manual*



- \*1 For supported models, refer to Pro-face's support site "Otasuke Pro!" (<http://www.pro-face.com/otasuke/>). You can connect to this site by clicking the GP-Pro EX's [Help (H)] menu-[Connect to Support Site "Otasuke Pro!" (O)] command.
- \*2 Certain types and models of PCs cannot be used.

**SEE →** *GP-Pro EX Reference Manual*

## 1.2 Accessories

All accessories listed here are produced by Pro-face.

### 1.2.1 GP3000H Cable Connector

Product Name	Model No.	Description
GP3000H Hard-type 10 m Direct-connect Cable	GP3000H-CBLH-10M	Heavy-duty type interface cable for communication between the GP and external equipment (e.g. host controller), equipped with common mode filter.
GP3000H Soft-type 3 m Direct-connect Cable	GP3000H-CBLS-3M	Standard type interface cable for communication between the GP and external equipment (e.g. host controller), equipped with common mode filter.
GP3000H Soft-type 5 m Direct-connect Cable	GP3000H-CBLS-5M	
GP3000H Soft-type 10 m Direct-connect Cable	GP3000H-CBLS-10M	
GP3000H Hard-type 10 m Direct-connect Cable (with connector)	GP3000H-CBLHD-10M	Heavy-duty type cable between the GP3000H Conversion Adaptor and the GP3000H.
GP3000H Soft-type 3 m Direct-connect Cable (with connector)	GP3000H-CBLSD-3M	Standard type cable between the GP3000H Conversion Adaptor and the GP3000H.
GP3000H Soft-type 5 m Direct-connect Cable (with connector)	GP3000H-CBLSD-5M	
GP3000H Soft-type 10 m Direct-connect Cable (with connector)	GP3000H-CBLSD-10M	
GP3000H Conversion Adaptor	AGP3000H-ADPCOM-01	Conversion Adaptor for interfacing with a RS-232C/RS-422/RS-485 serial interface output (DSUB).

### 1.2.2 USB Host Interface

Product Name	Model No.	Description
USB Transfer Cable	CA3-USBCB-01 (2m)	Downloads project data created with the Screen Editor via the GP unit's USB I/F.
USB Cable	FP-US00 (5m)	Connects a USB printer. (TYPE-B)
USB-Serial (RS-232C) Conversion Cable	CA6-USB232-01(0.5m)	The conversion cable for using a GP's USB I/F as the Serial (RS-232C) I/F. For connecting the RS-232C communications modem <sup>*1</sup> , or a barcode reader <sup>*1</sup>

\*1 For supported models, refer to Pro-face's support site "Otasuke Pro!" (<http://www.pro-face.com/otasuke/>).

You can connect to this site by clicking the GP-Pro EX's [Help (H)] menu-[Connect to Support Site "Otasuke Pro!"] (O) command.

### 1.2.3 CF Card Items

Product Name	Model No.	Description
CF Card (128MB)	CA3-CFCALL/128MB-01	Inserted into the GP unit's CF Card slot.
CF Card (256MB)	CA3-CFCALL/256MB-01	
CF Card (512MB)	CA3-CFCALL/512MB-01	
CF Card (1GB)	CA6-CFCALL/1GB-01	
CF Card (2GB)	CA8-CFCALL/2GB-01	
CF Card Adaptor	GP077-CFAD10	Used for read/write of CF Card data via a PC's PCMCIA slot.

### 1.2.4 Option Items

Product Name	Model No.	Description
Screen Protection Sheet	GP3000H-DFS6-01	Disposable, dirt-resistant sheet for the GP unit's screen. (5 sheets/set) (Hard type)
Neck Strap	GP2000H-STRAP11	Strap for wearing over the neck.
Wall Hanging Adaptor	GP3000H-WMA-01	Bracket for mounting the GP3000H Series unit to a commercially available arm or panel.
Touch Pen	CA7-TPPEN/ALL-01	5 touch pens for screen operation.

### 1.2.5 Maintenance Items

GP accessories. Sold separately as an option for maintenance.

Product Name	Model No.	Description
Hand Strap	GP3000H-HS-01	Strap for handheld operation.
Emergency Switch Guard	GP3000H-EMGD11	Emergency Switch Guard for preventing accidental operation. Includes 3 mounting screws.
Function Switch Sheet*1	GP3000H-DUPS-01	5 sheets/set (x 5) for changing image of the function switches.

\*1 For the Function Switch Sheet for printing, refer to Pro-face's support site "Otasuke Pro!" (<http://www.pro-face.com/otasuke/>).

You can connect to this site by clicking the GP-Pro EX's [Help (H)] menu-[Connect to Support Site "Otasuke Pro!" (O)] command.

### 1.2.6 Peripheral options for the GP3000H Conversion Adaptor.

Optional parts for the GP3000H Conversion Adaptor (hereinafter, "this adaptor").

Product Name	Model No.	Description
RS-232C Cable	CA3-CBL232/5M-01 (5m)	Connects Mitsubishi PLC A-Series (or other host controller) to this adaptor. (RS-232C)
RS-422 Cable	CA3-CBL422/5M-01 (5m)	Connects a host controller to this adaptor. (RS-422)

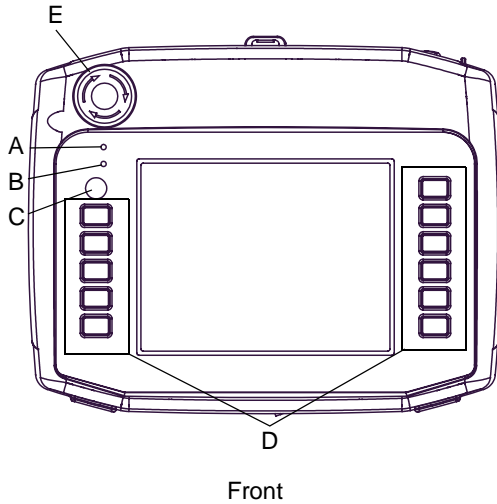
Product Name	Model No.	Description
Mitsubishi PLC Q-Series Link Cable	CA3-CBLLNKM0-01 (5m)	Connects Mitsubishi PLC Q-Series (or other host controller) to this adaptor. (RS-232C)
Omron PLC SYSMAC Link Cable	CA3-CBLSYS-01 (5m)	Connects Omron PLC SYSMAC Series unit (or other host controller) to this adaptor. (RS-232C)
Mitsubishi PLC A-Series Connection Cable	CA3-CBLA-01 (5m)	Connects Mitsubishi PLC A, QnA Series programming console I/F to this adaptor. (Simultaneous use of programming console is not possible.)
Mitsubishi PLC Q-Series Connection Cable	CA3-CBLQ-01 (5m)	Connects Mitsubishi PLC Q-Series programming console I/F to this adaptor. (Simultaneous use of programming console is not possible.)
Mitsubishi PLC FX-Series Connection Cable	CA3-CBLFX/1M-01 (1m) CA3-CBLFX/5M-01 (5m)	Connects Mitsubishi PLC FX-Series programming console I/F and this adaptor. (Simultaneous use of programming console is not possible.)
9-pin-to-25-pin RS-232C Conversion Cable	CA3-CBLCBT232-01 (0.2m)	D-sub 9-pin plug to D-sub 25-pin socket conversion cable
9-pin-to-25-pin RS-422 Conversion Cable	CA3-CBLCBT422-01 (0.2m)	D-sub 9-pin socket to D-sub 25-pin socket conversion cable
RS-422 Cable	CA3-CBL422-01 (5m)	Connects a host controller to this adaptor. (RS-422)
2 Port Adaptor Cable	CA3-MDCB11 (5m)	Connects Mitsubishi PLC to this adaptor using 2 port Adaptor II (RS-422).
Mitsubishi PLC A, QnA, FX Series 2 Port Adaptor II	GP070-MD11	Allows simultaneous use of this adaptor and a Mitsubishi PLC A, QnA, FX Series peripheral device.
Multi-Link Cable	CA3-CBLMLT-01 (5m)	Connects a host controller to this adaptor for multi-link (n:1) communication.
Terminal Block Conversion Adaptor	CA3-ADPTRM-01	Connects output from a serial interface with an RS-422 terminal block.
COM Port Conversion Adaptor	CA3-ADPCOM-01	Connects optional RS-422 communication items to this adaptor's COM port.
Siemens COM Port Conversion Adaptor	CA3-ADPSEI-01	Connects Siemens PLCs to this adaptor. (for RS-485 communication)
Siemens TTY Converter Cable	CA6-CBLTTL/5M-01 (5m)	Connects Siemens PLC S5 Series to this adaptor.
MPI Cable	ST03-A2B-MPI21-PFE (3.5m)	Connects a host controller to this adaptor for MPI communication.
RS-232C Isolation Unit	CA3-ISO232-01	Connects a host controller to this adaptor with provides isolation. (RS-232C and RS-422 are switchable.)
Hub	SPIDER8TX-PRO	For all models with an Ethernet I/F Industrial Ethernet HUB DC24

## 1.2.7 Maintenance options for the GP3000H Conversion Adaptor

Accessory to the GP3000H Conversion Adaptor. Sold separately as an option for maintenance.

Product Name	Model No.	Description
Installation Gasket	GP3000H-WPGADP-01	Provides dust and moisture resistance when GP3000H Conversion Adaptor is installed into a solid panel.

### 1.3 Part Names and Functions



**A: Status LED (POWER)**

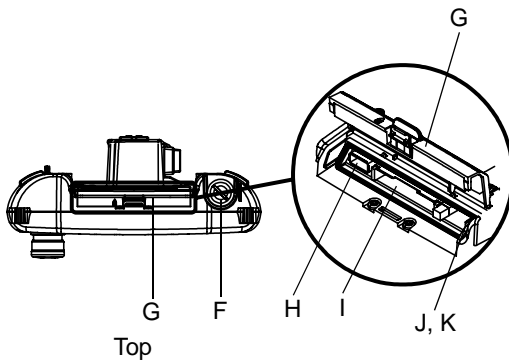
This LED indicates the GP's status, e.g. power input, firmware RUN status or backlight condition.

Color	Indicator	Operation Mode
Green	ON	OFFLINE
		In operation
Red	ON	When power is turned on.
Orange	ON	Backlight burnout
	Flashing	During software startup
	OFF	Power is OFF.

**B: Operation LED (O.P.)**

LED	GP Status
Green	Indicates the Operation Switch is ON.
Not Lit	Indicates the Operation Switch is OFF.

CF Card Cover Open



**C: Operation Switch**

When this switch is enabled, the GP unit can accept touch panel input and function key input, only while this switch is being pressed.

**D: Function Switches (11 switches)**

The switch functions are set up with the screen design software. For details, refer to the GP-Pro EX Reference Manual.

**E: Emergency Switch**

Pressing this switch activates the contact output.

**F: Key Switch**

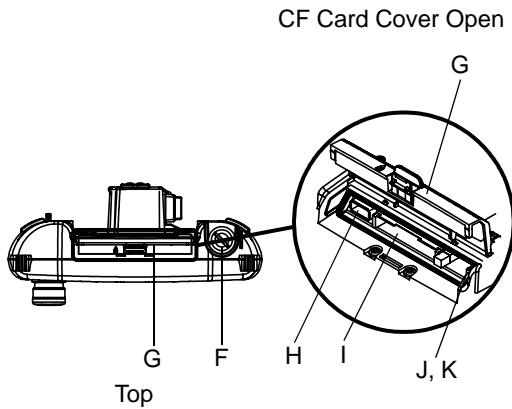
Turning the key turns ON/OFF the GP unit power supply.

**G: CF Card Cover**

The CF Card I/F, USB I/F, Dip Switches and LAN Status LED are located in the CF Card Cover open.

**IMPORTANT**

- During operation of the GP unit, keep the CF Card cover closed. Operating the GP with the cover left open removes the dust-proof and droplet-proof protection. Doing so could cause a unit malfunction.

**H: USB Host Interface**

Complies with USB 1.1. Uses a “TYPE-A” connector.

Power supply voltage: DC5V±5%,

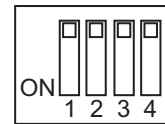
Output current: 500 mA (max).

Connect to the transfer cable, storage device (USB memory, CF Card reader), etc.

The maximum communication distance: 5 m.

**I: CF Card Interface**

Insert the CF Card in this slot.

**J: DIP Switches**

DIP Switches	Function	ON	OFF	Note
1	CF Card Startup Settings (Controls unit startup from the CF Card.)	Startup from CF Card is enabled.	Startup from CF Card is disabled.	CF Card with startup data required.
2 <sup>*1</sup>	Forced Transfer Mode	Forced Transfer Mode: ON	Forced Transfer Mode: OFF	-
3	Reserved	-	-	Constantly OFF
4	CF Card access setting	CF Card access enabled	CF Card access disabled	-

\*1 When power supply is turned ON and DIP Switch 2 is ON, it starts with Transfer Mode. Normally, set it to OFF.

**IMPORTANT**

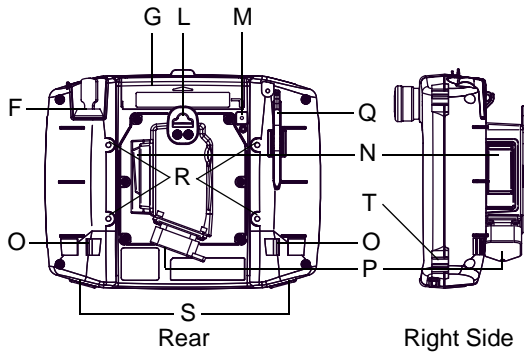
- After inserting a CF Card, be sure to turn ON DIP Switch 4, and close the CF Card cover before using the GP unit.
- Before removing the CF Card, turn OFF DIP Switch 4 first, and make sure that the CF Card access LED turns off. If you remove the CF Card while the CF Card is being accessed (while the LED is lit), it may result in data corruption.

**K: LAN Status LED**

The LED turns on or off to indicate the current status of the Ethernet transmission interface (10BASE-T/ 100BASE-TX).

LED	Indicates
Green ON	Data transmission available
Green Flashing	Data transmission in progress.
Green OFF	No connection or subsequent transmission failure
Yellow ON	During connection with 100BASE-TX
Yellow OFF	During connection with 10BASE-T or No connection





**L: Hanger**

A hanger for temporarily hanging the GP unit on a wall.

**IMPORTANT**

- Do not operate or conduct wiring of the GP unit, with the GP unit hung on a wall. Otherwise, the GP may fall, resulting in injury or damage to the equipment.

**NOTE**

- The following is recommended to be used as pairs for this hanger;
  - A  $\phi 7$  or less, rod-shaped or S-shaped hook
  - M4 pan-head machine screw with head diameter  $\phi 7$  or less.
  - Panel thickness: 1 to 1.6mm [0.04 to 0.06 in.], Panel width: 14mm [0.55 in.]

**M: CF Card Access Lamp**

Access Lamp	Indicates
Green ON	Indicates that a CF Card is inserted and DIP Switch 4 is set to ON, or that the CF Card is being accessed.
Green OFF	Indicates that DIP Switch 4 is set to OFF, or that no CF Card is inserted.

**N: 3-Position Enable Switch**

The switch provides three positions: A position where the switch is not pressed (released), a position where the switch is pressed to the intermediate position, and a position where the switch is pressed to the innermost position (fully pressed).

**O: Hand Strap Attachment Slots**

**P: GP3000H Cable Connector (with Connector Cover)**

Connects the GP3000H dedicated cable.

**Q: Touch Pen**

**R: Wall Adaptor Attachment Slots**

To mount the GP unit to a panel or commercially available arm, attach the GP3000H dedicated wall hanging adaptor (optional) to this hole.

**S: Insertion hole (with cover) for Function Switch Sheet.**

**T: Neck Strap Attachment Slot**

# 2

# Specifications

1. General Specifications
2. Performance Specifications
3. Connection with Peripheral Equipment (Specifications of the GP3000H Direct Connect Cable)
4. Dimensions

This chapter describes the general, functional and interface specifications of the GP as well as its dimensions.

## 2.1 General Specifications

### 2.1.1 Electrical Specifications

Power Supply	Input Voltage	DC24V
	Rated Voltage	DC19.2 to 28.8V
	Allowable Voltage Drop	10 ms (max.)
	Power Consumption	16.7 W (max.)
	In-Rush Current	60 A (max.) Half width (Time duration with a current exceeding 30 A): 40 $\mu$ s max.
Voltage Endurance		AC500V 20 mA for 1 minute (between charging and FG terminals)
Insulation Resistance		DC500V 10 M $\Omega$ (min.) (between charging and FG terminals)

### 2.1.2 Environmental Specifications

Physical	Ambient Operating Temperature	0 to 40°C*1
	Storage Temperature	-20 to +60°C
	Ambient Humidity	10 to 90% RH (Wet bulb temperature: 39°C max. - no condensation.)
	Storage Humidity	10 to 90% RH (Wet bulb temperature: 39°C max. - no condensation.)
	Dust	0.1 mg/m <sup>3</sup> and below (non-conductive levels)
	Pollution Degree	For use in Pollution Degree 2 environment
	Atmosphere	Free of corrosive gases
Mechanical	Vibration Resistance	IEC/EN61131-2 compliant 5 to 9 Hz single-amplitude 3.5 mm [0.14 in.] 9 to 150 Hz constant-accelerated velocity 9.8 m/s <sup>2</sup> X,Y,Z directions for 10 cycle (100 minute)
	Concussion Resistance	IEC/EN61131-2 compliant (147 m/s <sup>2</sup> X,Y,Z directions for 3 time)
	Drop Resistance	IEC61131-2 compliant 1.0 meter drop - 2 times.
Electrical	Noise Immunity	Noise Voltage: 1,000 V <sub>P-P</sub> Pulse Duration: 1 $\mu$ s Rise Time: 1 ns (via noise simulator)
	Electrostatic Discharge Immunity	6 kV (complies with IEC/EN 61000-4-2 Level 3)

\*1 Extended use in environments where Surrounding air temperature is 40°C or higher may degrade the display quality and result in decreased contrast.

## 2.1.3 External Specifications

Installation	Grounding	Grounding resistance of $100 \Omega$ 2 mm <sup>2</sup> or thicker wire, or your country's applicable standard. (Same for FG and SG terminals)
	Structure	Rating: Equivalent to IP65f
	Cooling Method	Natural air circulation
	Weight Approx.	1,000g [2.2 lb.] max. (GP without a Key Switch, unit only) 1,050g [2.3 lb.] max. (GP with a Key Switch, unit only)
	External Dimensions	W 224 mm [8.82 in.] X H 174 mm [6.85 in.] X D 87.1 mm [3.43 in.] (except an Emergency Switch)

## 2.2 Performance Specifications

### 2.2.1 Performance Specifications

Application <sup>*1</sup>		AGP-3300HL/AGP-3300HS: FLASH EPROM 6 MB AGP-3310HT: FLASH EPROM 8 MB
Data Backup		SRAM 320 KB (Used lithium battery for backup memory)
GP3000H Cable Connector	Serial Interface	RS-232C/RS-422/RS-485 Asynchronous Transmission: Data Length: 7 bit/8 bit Parity: none, Odd or Even Stop Bit: 1 bit/2 bit Data transmission Speed:2400 bps to 115.2 kbps 187.5 kbps (MPI) Maximum communication distance <sup>*2</sup> : 15 m (when using RS-232C), 1200 m (when using RS-422 at 115.2 kbps)
	Ethernet Interface	Ethernet (IEEE802.3u,10BASE-T/100BASE-TX) Maximum communication distance <sup>*2</sup> : 100 m
	Emergency Switch Output Interface	Push-lock switch 3 contacts (a-contact: 1 contact, b-contact: 2 contacts) Rated voltage: DC30V Maximum rated current: 1 A (Minimum allowable load: DC5V, 1 mA) Applicable standards <sup>*3</sup> : ICE60947-5-1, EN60947-5-5, EN60947-5-5, UL508, CSA C22.2 No.14
	3-Position Enable Switch Output Interface	GP Rear panel switch 2 contacts (a-contact) Rated voltage: DC30V Maximum rated current: 700mA (Minimum allowable load: DC3V, 5 mA) Applicable standards <sup>*3</sup> IEC60947-5-8, EN60947-5-8, UL508 (UL approval), CSA C22.2 No.14 (UL approval), ISO12100/EN12100-1,2, IEC60204-1/EN60204-1 ISO11161/prEN11161, ISO10218/EN775, ANSI/RIA R15.06, ANSI B11.19
	Key Switch Output Interface	1c-contact Rated voltage: DC24V Maximum rated current: 300 mA
External Output I/F <sup>*4</sup>	DOUT Output	Open Collector Output: 2 points (F1, F2) Rated Voltage: DC24V Rated Current: 300 mA/point max.
	Operation Output	Open Collector Output: 1 point Rated Voltage: DC24V Rated Current: 300 mA max.
	External Buzzer Output	Open Collector Output 1 point Rated Voltage: DC24V Rated Current: 300 mA max.
USB Host Interface		Conforms to USB1.1. (TYPE-A connector) x 1 Power Supply Voltage: DC5V ± 5% Output Current: 500 mA (max.) Communication Distance: 5 m (max.)
CF Card Interface		Compact Flash CF Card Slot (TYPE-II)
Clock Accuracy <sup>*5</sup>		± 65 seconds/month (at room temperature)

- \*1 User active capacity.
- \*2 When using the GP3000H Conversion Adaptor, the distance includes the length of cable between the GP and the Conversion Adaptor.
- \*3 Overall system may not meet these standards if implemented outside these parameters.  
Be sure to follow these standards when designing the system.
- \*4 The GP3000H Conversion Adaptor must be purchased separately to use the external output interface.
- \*5 The GP's internal clock has a slight error. At normal operating temperatures and conditions, with the GP operating from its lithium battery, the degree of error is 65 seconds per month. Variations in operating conditions and battery life can cause this error to vary from -380 to +90 seconds per month. For systems where this degree of error will be a problem, the user should be sure to monitor this error and make adjustments when required.

**NOTE**

- When the message "RAAA051 Low battery" is displayed, supply power to the display unit and fully charge the battery. The battery charges within 24 hours to a level which allows backup operation. Completing a full charge requires about 96 hours (4 days).
- A Lithium battery's lifetime is: 10 years when the battery's ambient temperature is 40°C or less. 4.1 years when the battery's ambient temperature is 50°C or less. 1.5 years when the battery's ambient temperature is 60°C or less.  
When used for backup:  
Approximately 100 days, with a fully charged battery.  
Approximately 6 days, with a half-charged battery.
- 1:1 connections using a cross cable may not be possible depending on the type of personal computer and network card you are using.  
Make sure to use a hub for the Ethernet Communication.

### 2.2.2 Display Specifications

	AGP-3300HL	AGP-3300HS	AGP-3310HT
Display Type	Monochrome LCD	STN Color LCD	TFT Color LCD
Resolution	W 320 X H 240 pixels		W 640 X H 480 pixels
Dot pitch	W 0.36 mm [0.01 in.] X H 0.36 mm [0.01 in.]		W 0.18 mm [0.01 in.] X H 0.18 mm [0.01 in.]
Effective Display Area	W 117.2 mm [4.61 in.] X H 88.4 mm [3.48 in.]		W 115.2 mm [4.54 in.] X H 86.4 mm [3.40 in.]
Color/Shade level	Black and White (16 Shades)	4,096 Colors	65,536 Colors (No blink) 16,384 Colors (With blink enabled)
Backlight	White LED (Not user replaceable. When replacement is required, contact your local GP distributor.)		
Brightness control	16 levels of adjustment available via touch panel		
Contrast Adjustment	8 levels of adjustment available via touch panel	Not applicable	
Backlight Service Life	50,000 hours or more (at 25°C and continuous operation - period until backlight brightness decreases to 50% or backlight starts to flicker)		
Language Fonts	Japanese: 6962 (JIS Standards 1 & 2) (including 607 non-kanji characters) ANK: 158 (Korean fonts, Simplified Chinese and Taiwanese traditional Chinese fonts are downloadable.)		
Text composition	Character Sizes	Standard font: 8 X 8, 8 X 16, 16 X 16 and 32 X 32 dot fonts Stroke font: 6 to 127 dot fonts	
	Font Sizes	Standard font: Width can be expanded up to 8 times. Height can be expanded up to 8 times* <sup>1</sup>	
Text	8 X 8 dots	40 Char. X 30 rows	80 Char. X 60 rows
	8 X 16 dots	40 Char. X 15 rows	80 Char. X 30 rows
	16 X 16 dots	20 Char. X 15 rows	40 Char. X 30 rows
	32 X 32 dots	10 Char. X 7 rows	20 Char. X 15 rows

\*1 The other font sizes can be set up by software.

### 2.2.3 Touch Panel Specifications

Type	Resistive Film (analog)
Resolution	1024 X 1024
Service Life	1,000,000 times or more

## 2.3 Connection with Peripheral Equipment (Specifications of the GP3000H Direct Connect Cable)

The GP3000H direct-connect cable must be purchased separately to connect the GP3000H series with connection devices. Use the following cables to connect the GP to other connection devices.

Product Name	Model No.	Description
GP3000H Hard-type 10m Direct-connect Cable	GP3000H-CBLH-10M	Heavy-duty type interface cable for communication between the GP and external equipment (e.g. host controller), equipped with common mode filter.
GP3000H Soft-type 3m Direct-connect Cable	GP3000H-CBLS-3M	Standard type interface cable for communication between the GP and external equipment (e.g. host controller), equipped with common mode filter.
GP3000H Soft-type 5m Direct-connect Cable	GP3000H-CBLS-5M	
GP3000H Soft-type 10m Direct-connect Cable	GP3000H-CBLS-10M	

### IMPORTANT

- Do not allow the cable's connector to drop or hit against anything hard, or the connector could be damaged.
- Be sure to connect peripheral equipment first, and connect the GP unit last. Otherwise, the RS-232C/RS-422/RS-485 circuit may fail.
- Be sure to terminate unused wires to avoid short-circuits by other signals or metal parts.
- After cable length adjustment, be sure to connect the shield on the cable to the FG terminal.

### NOTE

- To build a system by connecting the GP with connection devices via the GP3000H Conversion Adaptor, the separately sold dedicated Cable with Connector and Conversion Adaptor are required.



*1.2 Accessories 1.2.1 GP3000H Cable Connector (page 1-6)*

*GP3000H Conversion Adaptor Installation Guide (Included with the Conversion Adaptor)*



### 2.3.1 Serial Interfaces

This interface is used to connect an RS-232C/RS-422/RS-485\*<sup>1</sup> cable. Connect to the D-SUB 9-pin plug type connector.

For host controller (PLC, etc.) connection information, refer to the “GP-Pro EX Device/PLC Connection Manual”.

Recommended Cable Connector	XM2D-0901 <OMRON Co.>
Recommended Cable Cover	XM2S-0913 <OMRON Co.>
Recommended Jack Screw #4-40 (UNC)	XM2Z-0073 <OMRON Co.>

In the case of RS-232C

Cable Color/ Marking Color, Number	RS-232C		
	Signal Name	Direction	Description
Brown/White 1	CD	Input	Carrier Detect
Brown/Black 1	RD(RXD)	Input	Receive Data
Brown/White 2	SD(TXD)	Output	Send Data
Brown/White 4	ER(DTR)	Output	Data Terminal Ready
Brown/None	SG	-	Signal Ground
Brown/Black 3	DR(DSR)	Input	Data Set Ready
Brown/Black 2	RS(RTS)	Output	Request to Send
Brown/White 3	CS(CTS)	Input	Send Possible
Brown/Black 4	CI(RI)/VCC	Input/-	Called status display +5 V $\pm$ 5% Output 0.25 A <sup>*2</sup>
Green/None	FG <sup>*3</sup>	-	Frame Ground (Common with SG)

In the case of RS-422/RS-485

Cable Color/ Marking Color, Number	RS-422/RS-485		
	Signal Name	Direction	Description
Brown/White 1	RDA	Input	Receive Data A(+)
Brown/Black 1	RDB	Input	Receive Data B(-)
Brown/White 2	SDA	Output	Send Data A(+)
Brown/White 4	ERA	Output	Data Terminal Ready A(+)
Brown/None	SG	-	Signal Ground
Brown/Black 3	CSB	Input	Send Possible B(-)
Brown/Black 2	SDB	Output	Send Data B(-)
Brown/White 3	CSA	Input	Send Possible A(+)
Brown/Black 4	ERB	Output	Data Terminal Ready B(-)
Green/None	FG <sup>*3</sup>	-	Frame Ground (Common with SG)

\*1 Communication method is switched via software.

\*2 The RI/VCC selection is switched via software. The VCC output is not protected against over current. To prevent damage or a unit malfunction, use only the rated current.

\*3 Select AWG22 cable to use out of two green cables.

#### IMPORTANT

- The GP3000H Direct-connect cable's serial interface is not isolated. When the host (PLC) unit is also not isolated, and to reduce the risk of damaging the RS-232C/RS-422/RS-485 circuit, be sure to connect the SG (Signal Ground) terminal.

**NOTE**

- If isolation is required, use the RS-232C isolation unit (CA3-ISO232-01) by Pro-face, and the following recommended equipment.

Recommended Intermediate Connector	XM2A-0901 <made by OMRON Corp.>
Recommended Fastener 1	XM2Z-0003 <made by OMRON Corp.>
Recommended Cable Cover	XM2S-0913 <made by OMRON Corp.>

### 2.3.2 Ethernet Interface

Ethernet (IEEE802.3u, 10BASE-T/100BASE-TX) with modular jack connector (RJ-45)

Cable Color	Signal Name	Direction	Description
Blue	TX +	Output	Ethernet Send (+)
White	TX -	Output	Ethernet Send (-)
Brown	RX +	Input	Ethernet Receive (+)
Gray	RX -	Input	Ethernet Receive (-)

### 2.3.3 DC24V Interface

## ⚠ WARNING

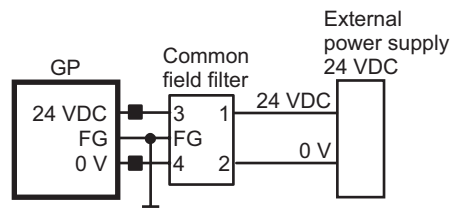
- ❗ To avoid an electric shock, prior to connecting the GP unit's power cord terminals to the power terminal block, confirm that the GP unit's power supply is completely turned OFF, via a breaker, or similar unit.
- ❗ Supplying a power voltage other than that specified will damage the power source and the GP unit.
- ❗ Since there is no power switch on the GP unit, be sure to attach a breaker-type switch to its power cord.
- ❗ When the FG terminal is connected, be sure the wire is grounded.

Cable Color	Signal Name	Direction	Description
Red	DC24V	Input	Power Input DC24V
Black	0V	Input	Power Input 0 V
Green	FG <sup>*1</sup>	-	Frame Ground (Common with SG)

\*1 Select AWG16 cable to use out of two green cables.

**NOTE**

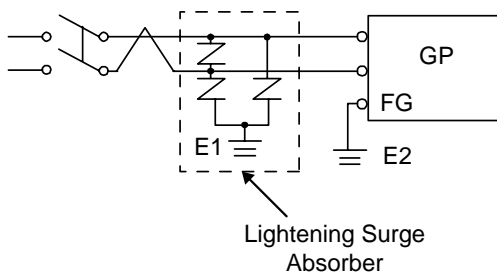
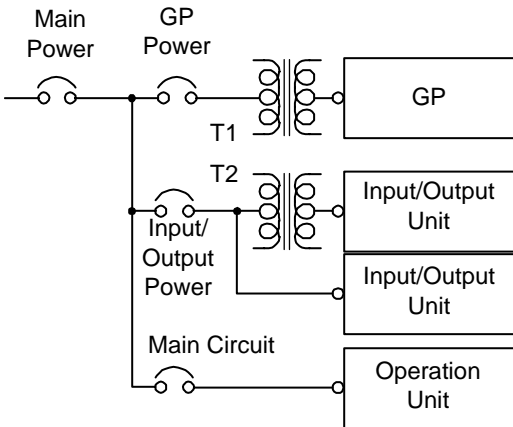
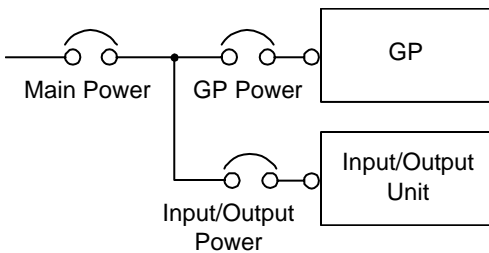
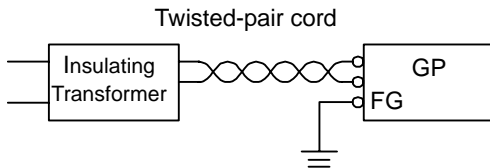
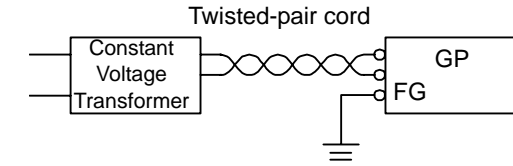
- Be sure to twist Power Input wires from a part close to the power supply.
- It's recommended to use the provided common mode filter on the direct-connect cable to reduce noise.



- The black square indicates the connection point for the dedicated cable and common field filter.

## ■ Connecting the Power Supply

This section describes the precautions for supplying a power voltage.



- If the supplied voltage exceeds the GP unit's range, connect a constant voltage transformer.

**SEE →** Chapter 2 Specifications (page 2-1)

- For between the line and ground, select a power supply that is low in noise. If there is an excess amount of noise, connect a insulating transformer.

**IMPORTANT** • Use constant voltage and insulating transformers with capacities exceeding Power Consumption value.

- When supplying power to the GP unit, be sure to separate the input/output and power lines, as shown.
- To increase the noise resistance quality of the power cord, simply twist each power wire before attaching the Ring Terminal.
- The power supply cable must not be bundled or positioned close to main circuit lines (high voltage, high current), or input/output signal lines.
- The temperature rating of field installed conductors is 60°C.
- DC 24 V input unit must be used with a Class 2 power supply.
- Connect a lightning surge absorber, as shown in the diagram, to deal with power surges.
- To avoid excess noise, make the power cord as short as possible.

**IMPORTANT** • Be sure to ground the surge absorber (E1) separately from the GP unit (E2).

- Select a surge absorber that has a maximum circuit voltage greater than that of the peak voltage of the power supply.

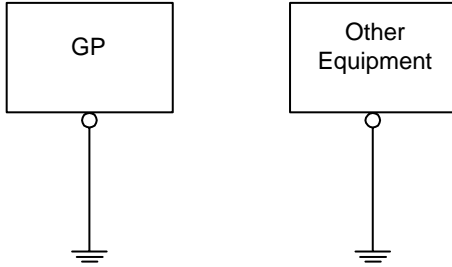
## ■ Grounding

This section describes the precautions for grounding the GP unit.

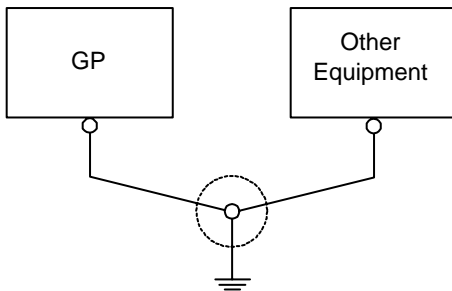
### ⚠ CAUTION

❗ Do not use common grounding, since it can lead to an accident or machine breakdown.

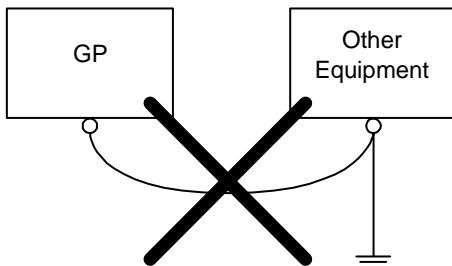
#### (a) Exclusive Grounding (BEST)



#### (b) Exclusive Grounding (OK)



#### (c) Common Grounding (Not OK)



• When supplying power to the GP unit, be sure to separate the input/output and power lines, as shown. [diagram (a)]

#### IMPORTANT

- Check that the grounding resistance is 100Ω or less.
- FG and SG terminals are internally connected in the GP. When connecting an external device to the GP using the SG terminal, be sure to check that no short-circuit loop is created when you setup the system.
- The grounding wire should have a cross sectional area greater than 2mm<sup>2</sup>. Create the grounding point as close to the GP unit as possible, and make the wire as short, as possible. When using a long grounding wire, replace the thin wire with a thicker wire, and place it in a duct.

• If exclusive grounding is not possible, use a common grounding point. [Diagram (b)] A D-type grounding or equivalent should be used for the grounding point.

#### NOTE

- If the equipment does not function properly when grounded, disconnect the ground wire from the FG terminal.

## ■ Input/Output Signal Line Cautions

- All GP Input and Output signal lines must be separated from all operating circuit (power) cables.
- If this is not possible, use a shielded cable and ground the shield.

### 2.3.4 3-Position Enable Switch Output Interface

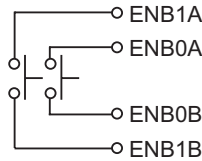
Cable Color/Marking Color, Number	Signal Name	Description
Blue/Black 2	ENB0A	3-position operation switch 0A (a-contact) Rating: DC30V, 700 mA (Minimum applicable load: DC3V, 5 mA)
Blue/Black 3	ENB0B	3-position operation switch 0B (a-contact)
Blue/None	ENB1A	3-position operation switch 1A (a-contact) Rating: DC30V, 700 mA (Minimum applicable load: DC3V, 5 mA)
Blue/Black 1	ENB1B	3-position operation switch 1B (a-contact)

The 3-position enable switch has three positions: the released position where the switch is not depressed, the half-depressed position, and the fully depressed position (fully closed).

The continuity between ENB0 to ENB1 during each position of the switch is as follows. The state of the contact is shown in ( ).

	The switch is not pressed.	The switch is pressed to the intermediate position.	The switch is pressed to the innermost position.*1
ENB0	0 (OFF)	1 (ON)	0 (OFF)
ENB1	0 (OFF)	1 (ON)	0 (OFF)

\*1 The contact is OFF when the switch is fully depressed and then returned to the released position.



### 2.3.5 Emergency Switch Output Interface

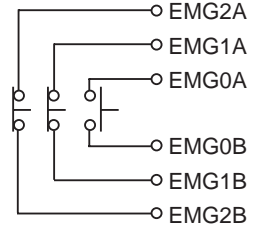
Cable Color/Marking Color, Number	Signal Name	Description
Purple/Black 2	EMG0A	Emergency switch 0A (a-contact) Rating: DC30V, 1 A (Minimum applicable load: DC5V, 1 mA)
Purple/White 3	EMG0B	Emergency switch 0B (a-contact)
Purple/Black 1	EMG1A	Emergency switch 1A (b-contact) Rating: DC30V, 1 A (Minimum applicable load: DC5V, 1 mA)
Purple/White 2	EMG1B	Emergency switch 1B (b-contact)
Purple/None	EMG2A	Emergency switch 2A (b-contact) Rating: DC30V, 1 A (Minimum applicable load: DC5V, 1 mA)
Purple/White 1	EMG2B	Emergency switch 2B (b-contact)

With the GP unit incorporating an emergency switch, the emergency switch activates the contact output, when the emergency switch is enabled. To reset the emergency stop status (lock status), pull the button forward, or turn the button in the direction indicated by arrow.

When the emergency switch is pressed, ON/OFF status of the EMG0 to EMG2 signals are as follows:

( ) indicates contact status.

	Emergency Stop Reset	Emergency Stop
EMG0	0 (OFF)	1 (ON)
EMG1	1 (ON)	0 (OFF)
EMG2	1 (ON)	0 (OFF)

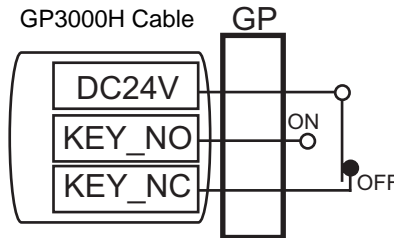
**NOTE**

- These signal lines must be disconnected (NC) when a GP unit without an emergency switch is used.

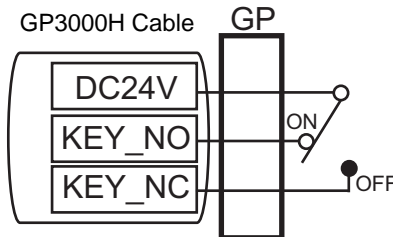
### 2.3.6 Key Switch Output Interface

Cable Color/Marking Color, Number	Signal Name	Description
Orange/None	KEY_NC	Key Switch b-contact (normally closed) Rating: DC24V, 300 mA
Orange/Black 1	KEY_NO	Key Switch a-contact (normally opened) Rating: DC24V, 300 mA

- Turning OFF GP unit with the key switch



- Turning ON GP unit with the key switch

**NOTE**

- When the key is not turned to ON or OFF, either the “KEY\_NO” or the “KEY\_NC” signal is ON. These signals will not simultaneously turn OFF.
- These signal lines must be disconnected (NC) when a GP unit without a key switch is used.

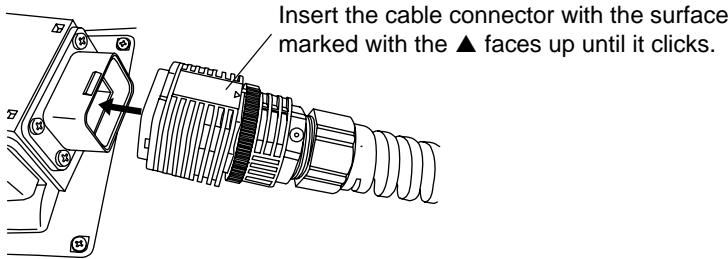
### 2.3.7 Connecting the GP Unit

**IMPORTANT**

- Always connect the connection device side first, and the GP side last. Failure to observe this precaution may damage the RS-232C/RS-422/RS-485 circuitry.

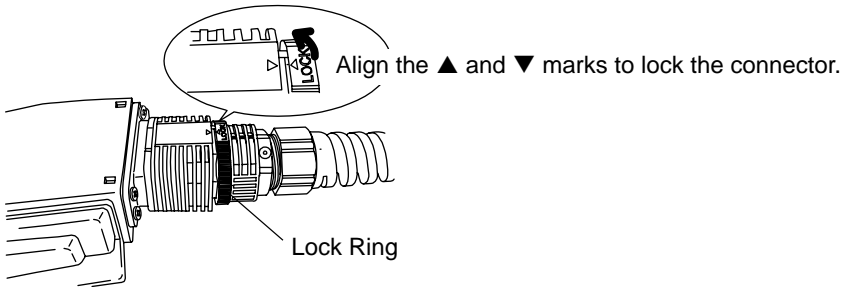
◆Attachment

- (1) Before connection, remove the connector caps of both GP3000H cable connector and the cable. Insert the cable connector to the GP3000H cable connector until it clicks. Insert the cable connector with the surface marked with the ▲ faces up, as shown below.



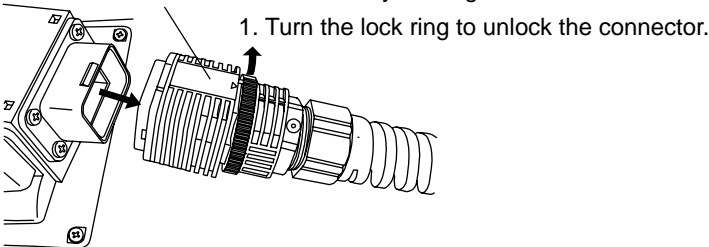
**NOTE**

- Be sure to insert the cable connector as shown, the surface of the cable connector marked with the ▲ faces up. Failure to do so might result in damage of the connector.
- (2) Turn the cable connector lock ring as shown to lock the connector, so that the ▲ mark (for LOCK) on the lock ring is aligned with the ▼ mark on the cable connector.



◆Removal

- (1) Unlock the connector that has been locked in the mounting procedure. (Turn the lock ring as shown so that the ▲ mark is displaced from the ▼ mark). Then, pull out the cable by holding the cable connector.



**NOTE**

- To disconnect the cable, be sure to hold the cable connector and pull it out. If you hold other parts of the cable (lock ring, etc.), the cable cannot be disconnected.

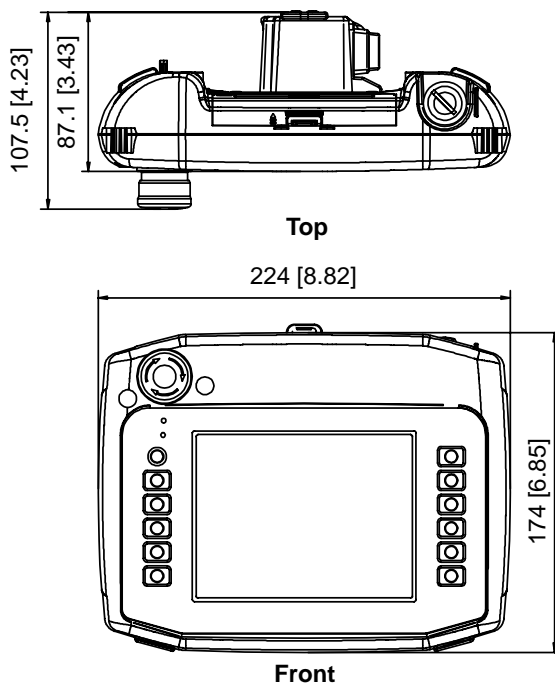
## 2.4 Dimensions

### 2.4.1 Dimensions

The following dimensions apply to GP3000H Series units.

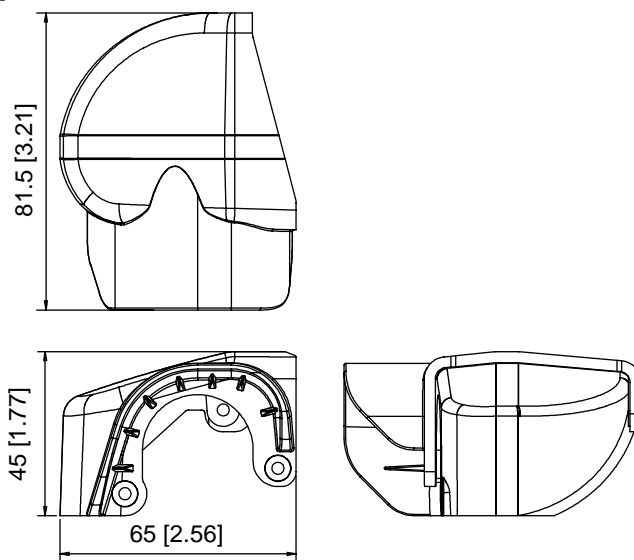
#### ■ External Dimensions

Unit: mm [in.]



### 2.4.2 External Dimensions of the Emergency Switch Guard

Unit: mm [in.]







# 3 | Fixing the GP and Attaching Accessories

1. Fixing the GP3000H
2. Instructions for Mounting Accessories
3. CF Card Insertion/Removal

This Chapter explains methods for fixing the GP, and instructions for attaching accessories.

### 3.1 Fixing the GP3000H

This section explains cautions involved with handling the GP3000H Series units.

Be sure to operate the GP unit only after securing it, using any of the following three methods.

---

## ⚠ CAUTION

---

**!** Be sure to use the hand strap or neck strap, or attach the GP unit to a wall with the Wall Mount Adapter. Dropping the unit may result in injury to the user or damage to the unit.

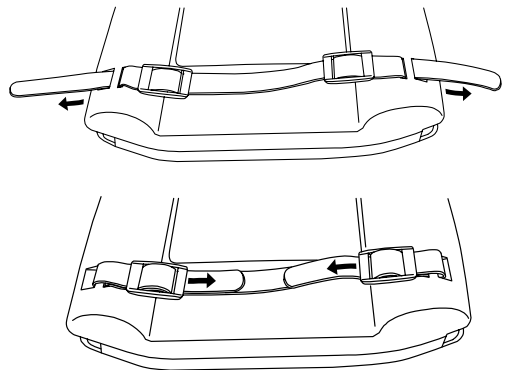
Use the GP3000H Series by correctly attaching the hand strap (included), neck strap (optional), or the wall-mount Adaptor (optional).

#### 3.1.1 Hand Strap

##### ■Attaching the Hand Strap

The hand strap (included) that attaches to the GP3000H Series unit is used to hold the GP unit by hand, and to prevent it from dropping during use. Attach the hand strap using the following procedure.

- (1) Insert the hand strap into the hand strap mounting slots on the GP unit rear panel, as shown.
- (2) Insert both ends of the hand strap into the buckles as shown, and fasten them securely.

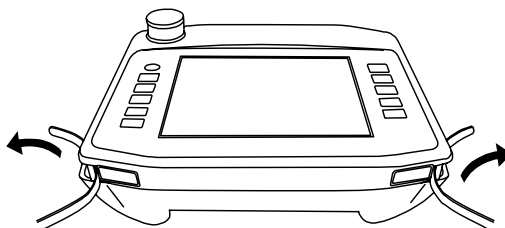


### 3.1.2 Neck Strap

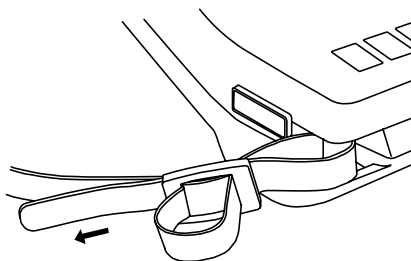
#### ■ Attaching the Neck Strap

The neck strap (optional) that attaches to the GP3000H Series unit is used to hang the GP unit from the user's neck, and to prevent it from dropping during use. Attach the neck strap using the following procedure.

- (1) Start by removing the neck straps from the buckles on both ends as shown. Next, insert the ends of the neck straps into the neck strap mounting slots as shown.



- (2) Insert the neck straps into the buckles as shown, and fasten them.



#### **IMPORTANT**

- Be sure to keep the neck strap around your neck when operating the GP unit.

### 3.1.3 Wall Mount Adaptor

The GP3000H Series can be mounted to the wall or a commercially available arm with the separately sold wall-mount adaptor (model: GP3000H-WMA-01). Read the Instruction Manual included with the wall-mount adaptor for details.

## 3.2 Instructions for Mounting Accessories

### 3.2.1 Attaching the Emergency Switch Guard

#### ⚠ WARNING

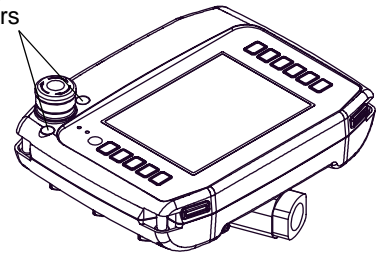
**!** An emergency switch conforms to safety standards (EC Machinery Directive IEC60204-1, etc.). When the emergency switch guard is attached, the emergency switch does not conform these standards. If conforming to the safety standards is required, do not use the emergency switch guard (included in the GP unit).

Prevent the Emergency Switch from accidentally turning ON (for example, if the GP is dropped or placed upside down on a desk) by installing the Emergency Switch Guard, as follows:

- (1) Prepare three screws for mounting the emergency switch guard (included in the package of the GP unit incorporating an emergency switch).
- (2) Remove the emergency switch guard hole covers at two places beside the emergency switch.



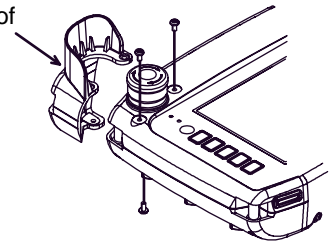
Emergency Switch Guard Hole Covers



- (3) Align the three screw holes of the emergency switch guard with the screw holes of the GP unit, and fasten the two points in the front, and the one point in the rear of the GP unit with screws.

First, align the screw holes of the emergency switch guard with those of the GP unit.

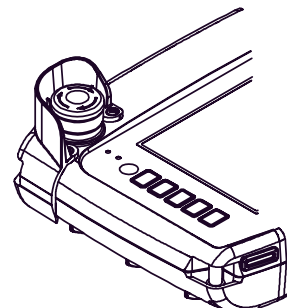
Fasten the two points in the front, and the one point in the rear of the GP unit with screws.



**IMPORTANT**

- Tightening each screw with excessive torque may result in damage to the equipment. Appropriate tightening torque is 0.5 N•m.

- (4) The following is the complete mounting condition:

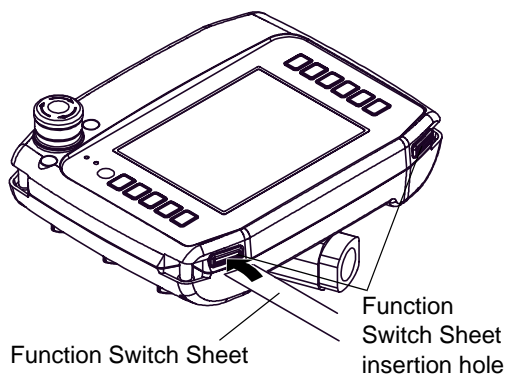
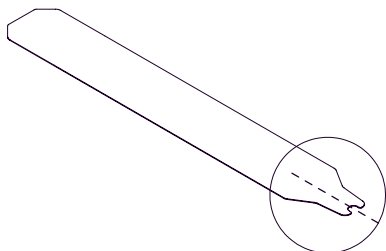


### 3.2.2 Replacing the Function Switch Sheets

- (1) There are two holes located on the lower right and left corners of the GP for replacing the function switch sheet. Remove the cover on the insertion hole, pull out the current sheet, and insert the new sheet (sold separately).

**NOTE**

- It's easy to insert the function switch sheet with the edge bent on the dotted line as shown.



- (2) Put the cover back on the insertion hole.

**IMPORTANT**

- Be sure to insert the cover on the insertion hole all the way in. Failure to do so may remove the droplet-proofing.

**NOTE**

- The cover cannot be pressed into place if the sheet sticks out from the insertion hole. Use one of the touch pens (included) to push the sheet all the way into the GP.

### 3.3 CF Card Insertion/Removal







This section describes how to insert and remove a CF Card.

---

#### CAUTION

---

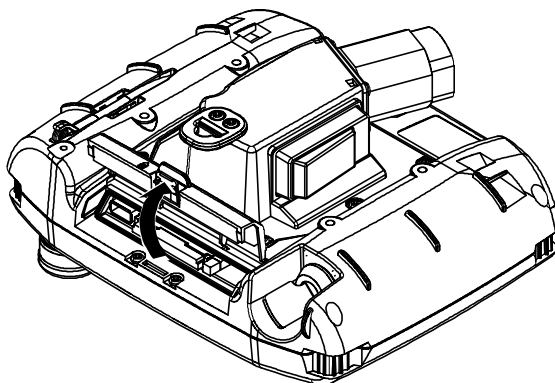
When using the GP Unit and a CF Card, observe the following precautions:

-  Prior to inserting or removing a CF Card, be sure to turn the GP unit's CF Card ACCESS switch OFF and to confirm that the ACCESS lamp is not lit. If you do not, CF Card internal data may be damaged or lost.
-  While a CF Card is being accessed (CF Card access LED: Green ON), NEVER turn OFF or reset the GP, or insert or remove the CF Card. If you do not, CF Card internal data may be damaged or lost.
-  Prior to inserting a CF Card, familiarize yourself with the CF Card's front and rear face orientation, as well as the CF Card connector's position. If the CF Card is not correctly positioned when it is inserted into the Unit, the CF Card's internal data and the GP unit may be damaged or broken.
-  Be sure to use only CF Cards manufactured by Pro-face. The CF Card's internal data may be damaged when using another manufacturer's CF Card.
-  Once GP data is lost, it cannot be recovered. Since accidental data loss can occur at any time, be sure to back up all GP screen and CF Card data regularly.
-  Be sure to follow the instructions given below to prevent the CF Card's internal data from being destroyed or a CF Card malfunction from occurring:
  - DO NOT bend the CF Card.
  - DO NOT drop or strike the CF Card against another object.
  - Keep the CF Card dry.
  - DO NOT touch the CF Card connectors.
  - DO NOT disassemble or modify the CF Card.

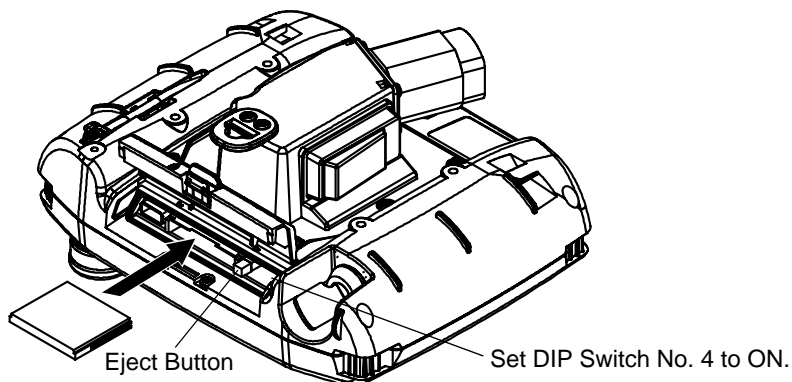
### 3.3.1 Inserting the CF Card

Use the following steps to insert the CF Card in the GP.

- (1) Open the CF Card cover on the rear panel of the GP by pulling the tab as indicated by the arrow.

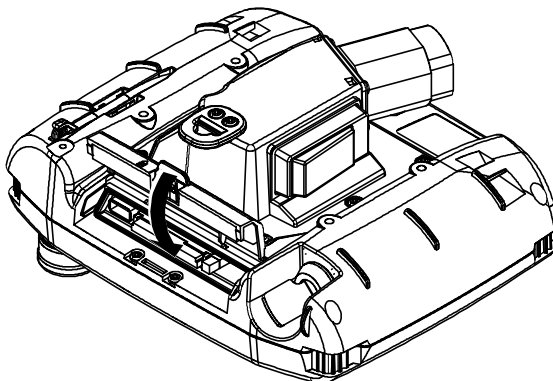


- (2) Insert the CF Card in the CF Card Slot, until the eject button is pushed forward.  
Set DIP Switch No. 4 to ON.



**IMPORTANT** • To make the CF Card accessible, set DIP Switch No. 4 to ON.

- (3) Close by performing the steps for opening the CF Card cover in reverse.



**IMPORTANT** • Before accessing the CF Card, be sure to close the CF Card cover and confirm the CF Card access LED is lit green.



### 3.3.2 Removing the CF Card

Simply reverse the steps shown in the previous “Inserting CF Card” explanation.

**IMPORTANT**

- Open the CF Card cover and set DIP Switch No. 4 to OFF. Confirm that the CF Card access LED goes out and then press the eject button to remove the CF Card.

### 3.3.3 CF Card Handling

The CF Card has a data overwrite limit of approximately 100,000 times. Therefore, be sure to back up all CF Card data regularly to another storage media. (100,000 times assumes the overwriting of 500KB of data in DOS format.) Two methods are available for backing up data. After using either method (1) or method (2), use your personal computer to save your data to the CF Card.

(1) If your PC is equipped with a PC Card Slot

To view CF Card data on a personal computer, first, insert the CF Card into a CF Card Adaptor (GP077-CFAD10).

(2) If your PC is NOT equipped with a PC Card slot

Use a commercially available PC Card Reader, or a CF Card Reader.

# 4

# Maintenance

1. Cleaning the Display
2. Periodic Check Points
3. Replacing the Backlight

This chapter explains cautions and inspection criteria that will ensure trouble-free use of the GP.

## 4.1 Cleaning the Display

When the surface or frame of the display become dirty, soak a soft cloth in water with a neutral detergent, wring the cloth tightly, and wipe the display.

**IMPORTANT**

- Do not use paint thinner, organic solvents, or a strong acid compound to clean the unit.
- Do not use hard or pointed objects to operate the touch-screen panel, since it can damage the panel surface.

## 4.2 Periodic Check Points

To keep your GP unit in its best condition, please inspect the following points periodically.

### ■GP Operation Environment

- Is the operating temperature within the allowable range (0°C to 40°C)?
- Is the operating humidity within the specified range (10%RH to 90%RH, dry bulb temperature of 39°C or less)?
- Is the operating atmosphere free of corrosive gasses?

When using the GP unit inside a panel, the ambient environment refers to the interior of the panel.

### ■Electrical Specifications

- Is the voltage range within DC19.2 to 28.8V?

### ■Related Items

- Are all power cords and cables connected properly? Have any become loose?
- Is the connection cable damaged?

### 4.3 Replacing the Backlight

**IMPORTANT**

- The backlight in the GP3000H Series cannot be replaced by the user. When the backlight needs to be replaced, please contact your local GP distributor.