

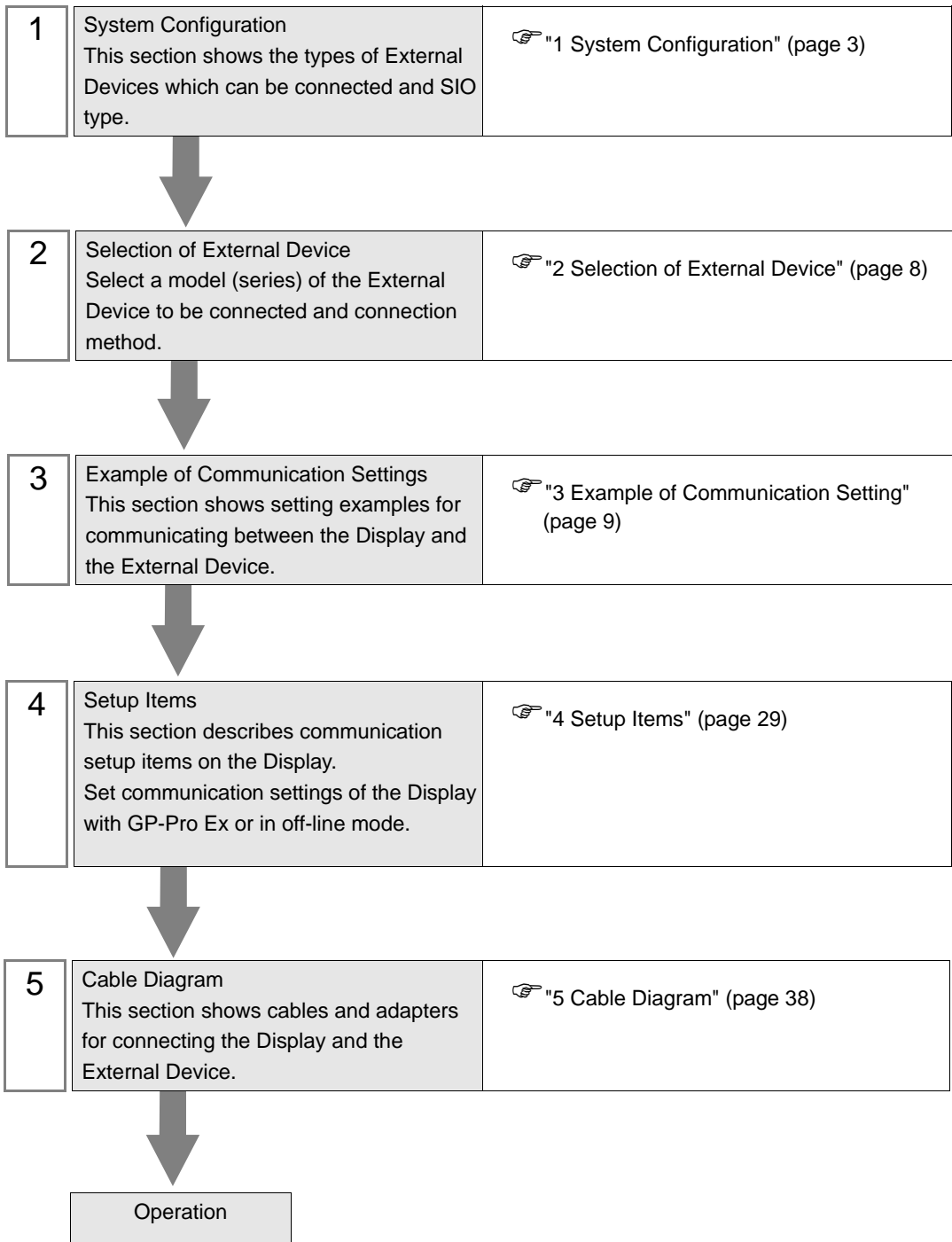
# MODBUS SIO Master Driver

1	System Configuration.....	3
2	Selection of External Device .....	8
3	Example of Communication Setting .....	9
4	Setup Items .....	29
5	Cable Diagram .....	38
6	Supported Device.....	64
7	Device Code and Address Code.....	66
8	Error Messages.....	67

Introduction

This manual describes how to connect the Display and the External Device (target PLC).

In this manual, the connection procedure will be described by following the below sections:



# 1 System Configuration

The system configuration in the case when the External Device of Schneider Electric Industries and the Display are connected is shown.

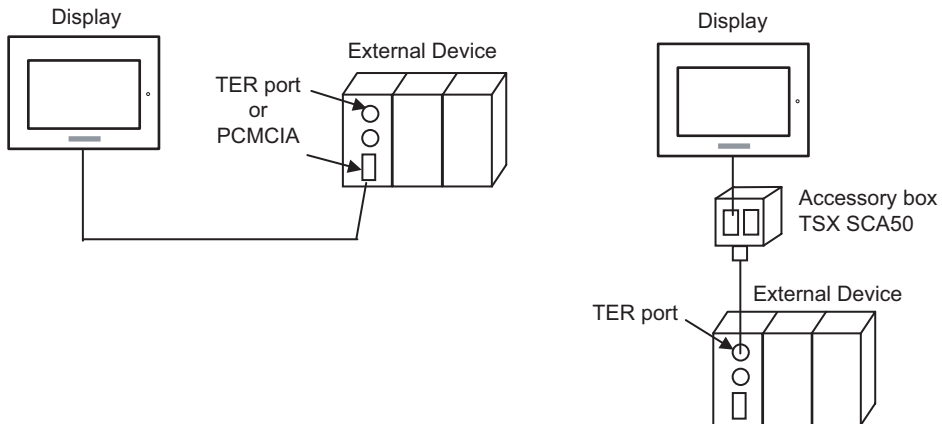
Series	CPU	Link I/F	SIO Type	Setting Example	Cable Diagram	
Micro	TSX 37 05 028DR1 TSX 37 08 056DR1 TSX 37 10 128DT1 TSX 37 10 128DR1 TSX 37 10 128DTK1 TSX 37 10 164DTK1 TSX 37 10 028AR1 TSX 37 10 028DR1	TER port on CPU	RS232C	Setting Example 1 (page 9)	Cable Diagram 2 (page 45)	
		Accessory box TSX SCA 50	RS485 (2wire)	Setting Example 3 (page 13)	Cable Diagram 3 (page 46)	
		TER port on CPU	RS232C	Setting Example 1 (page 9)	Cable Diagram 2 (page 45)	
	TSX 37 21 101 TSX 37 22 101 TSX 37 21 001 TSX 37 22 001	Accessory box TSX SCA 50	RS485 (2wire)	Setting Example 3 (page 13)	Cable Diagram 3 (page 46)	
		PCMCIA card for RS232C TSX SCP 111	RS232C	Setting Example 2 (page 11)	Cable Diagram 4 (page 53)	
		PCMCIA card for RS485 TSX SCP 114	RS485 (2wire)	Setting Example 3 (page 13)	Cable Diagram 5 (page 54)	
	Premium	TSX P57 103M TSX P57 153M TSX P57 203M TSX P57 253M TSX P57 303M TSX P57 353M TSX P57 453M	PCMCIA card for RS232C TSX SCP 111	RS232C	Setting Example 4 (page 15)	Cable Diagram 4 (page 53)
			PCMCIA card for RS485 TSX SCP 114	RS485 (2wire)	Setting Example 5 (page 17)	Cable Diagram 5 (page 54)
Twido	TWD LCAA 10DRF TWD LCAA 16DRF TWD LCAA 24DRF TWD LMDA 20DTK TWD LMDA 20DUK TWD LMDA 20DRT TWD LMDA 40DTK TWD LMDA 40DUK	Programming port on CPU	RS232C	Setting Example 6 (page 19)	Cable Diagram 2 (page 45)	
		TWD NAC 485T	RS485 (2wire)	Setting Example 7 (page 21)	Cable Diagram 1 (page 38)	
Quantum	140 CPU 113 02 140 CPU 113 03 140 CPU 434 12A 140 CPU 534 14A	Modbus port on CPU	RS232C	Setting Example 8 (page 23)	Cable Diagram 6 (page 59)	

Series	CPU	Link I/F	SIO Type	Setting Example	Cable Diagram
Momentum	171 CCS 700 00 171 CCS 700 10 171 CCS 760 00 171 CCC 760 10	Modbus port 1 on CPU	RS232C	Setting Example 9 (page 25)	Cable Diagram 7 (page 60)
	171 CCS 780 00 171 CCC 780 10	Modbus port 1 on CPU	RS232C	Setting Example 9 (page 25)	Cable Diagram 7 (page 60)
		Modbus port 2 on CPU	RS485 (4wire)	Setting Example 10 (page 27)	Cable Diagram 8 (page 61)
171 CCC 980 20 171 CCC 980 30	Modbus port 2 on CPU	RS485 (4wire)	Setting Example 10 (page 27)	Cable Diagram 8 (page 61)	

■ Connection Configuration

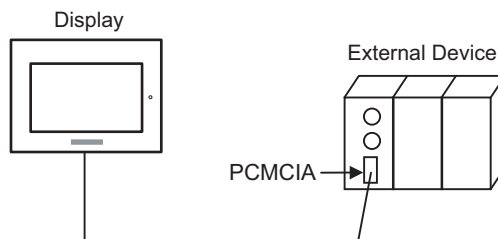
◆ Micro Series

- 1:1 Connection



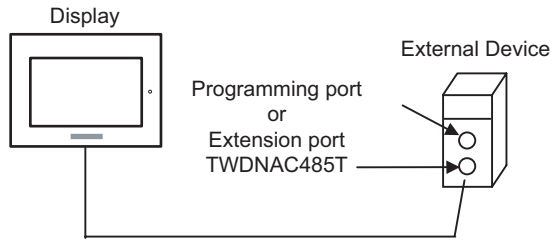
◆ Premium Series

- 1:1 Connection

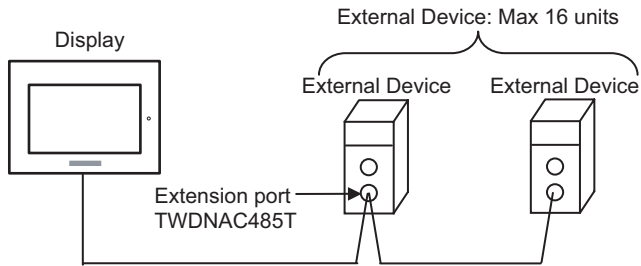


◆ Twido Series

- 1:1 Connection

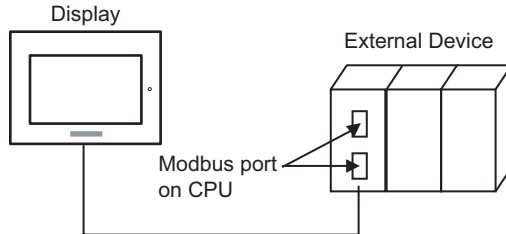


- 1:n Connection



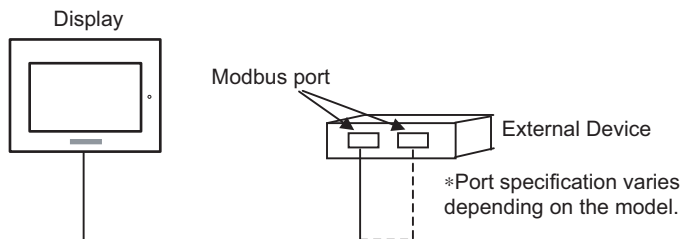
◆ Quantum Series

- 1:1 Connection



◆ Momentum Series

- 1:1 Connection



## ■ COM Port of IPC

When connecting IPC with External Device, the COM port which can be used changes with series and SIO type. Please refer to the manual of IPC for details.

### Usable port

Series	Usable port		
	RS-232C	RS-422/485(4 wire)	RS-422/485(2 wire)
PS-2000B	COM1 <sup>*1</sup> , COM2, COM3 <sup>*1</sup> , COM4	-	-
PS-3450A, PS-3451A	COM1, COM2 <sup>*1*2</sup>	COM2 <sup>*1*2</sup>	COM2 <sup>*1*2</sup>
PS-3650A, PS-3651A	COM1 <sup>*1</sup>	-	-
PS-3700A (Pentium®4-M) PS-3710A	COM1 <sup>*1</sup> , COM2 <sup>*1</sup> , COM3 <sup>*2</sup> , COM4	COM3 <sup>*2</sup>	COM3 <sup>*2</sup>
PS-3711A	COM1 <sup>*1</sup> , COM2 <sup>*2</sup>	COM2 <sup>*2</sup>	COM2 <sup>*2</sup>
PL-3000B	COM1 <sup>*1*2</sup> , COM2 <sup>*1</sup> , COM3, COM4	COM1 <sup>*1*2</sup>	COM1 <sup>*1*2</sup>

\*1 The RI/5V can be switched. Please switch with the change switch of IPC.

\*2 It is necessary to set up the SIO type with the Dip switch. Please set up as follows according to SIO type to be used.

### Dip switch setting: RS-232C

Dip switch	Setting	Description
1	OFF <sup>*1</sup>	Reserve (always OFF)
2	OFF	SIO type: RS-232C
3	OFF	
4	OFF	Output mode of SD (TXD) data: Always output
5	OFF	Terminal resistance (220Ω) insertion to SD (TXD): None
6	OFF	Terminal resistance (220Ω) insertion to RD (RXD): None
7	OFF	Short-circuit of SDA (TXA) and RDA (RXA): Does not Exist
8	OFF	Short-circuit of SDB (TXB) and RDB (RXB): Does not Exist
9	OFF	RS (RTS) Auto control mode: Disable
10	OFF	

\*1 It is necessary to turn ON the set value, only when using PS-3450A and PS-3451A.

## Dip switch setting: RS-422/485 (4 wire)

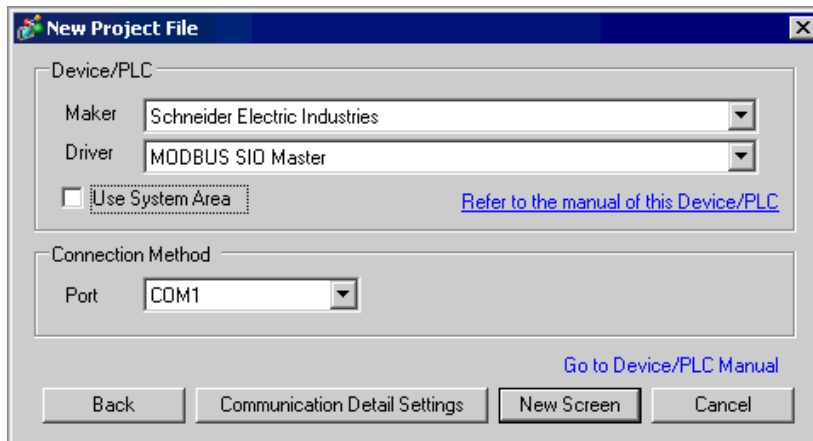
Dip switch	Setting	Description
1	OFF	Reserve (always OFF)
2	ON	SIO type: RS-422/485
3	ON	
4	OFF	Output mode of SD (TXD) data: Always output
5	OFF	Terminal resistance (220Ω) insertion to SD (TXD): None
6	OFF	Terminal resistance (220Ω) insertion to RD (RXD): None
7	OFF	Short-circuit of SDA (TXA) and RDA (RXA): Does not Exist
8	OFF	Short-circuit of SDB (TXB) and RDB (RXB): Does not Exist
9	OFF	RS (RTS) Auto control mode: Disable
10	OFF	

## Dip switch setting: RS-422/485 (2 wire)

Dip switch	Setting	Description
1	OFF	Reserve (always OFF)
2	ON	SIO type: RS-422/485
3	ON	
4	OFF	Output mode of SD (TXD) data: Always output
5	OFF	Terminal resistance (220Ω) insertion to SD (TXD): None
6	OFF	Terminal resistance (220Ω) insertion to RD (RXD): None
7	ON	Short-circuit of SDA (TXA) and RDA (RXA): Exist
8	ON	Short-circuit of SDB (TXB) and RDB (RXB): Exist
9	ON	RS (RTS) Auto control mode: Enable
10	ON	

## 2 Selection of External Device

Select the External Device to be connected to the Display.



Setup Items	Setup Description
Maker	Select the maker of the External Device to be connected. Select "Schneider Electric Industries".
Driver	Select a model (series) of the External Device to be connected and connection method. Select "MODBUS SIO Master". Check the External Device which can be connected in "MODBUS SIO Master" in system configuration. ☞ "1 System Configuration" (page 3)
Use System Area	Check this option when you synchronize the system data area of Display and the device (memory) of External Device. When synchronized, you can use the ladder program of External Device to switch the display or display the window on the display. Cf. GP-Pro EX Reference Manual "Appendix 1.4 LS Area (only for direct access method)" This can be also set with GP-Pro EX or in off-line mode of Display. Cf. GP-Pro EX Reference Manual " 5.14.6 Setting Guide of [System Setting Window]■[Main Unit Settings] Settings Guide◆System Area Setting" Cf. Maintenance/Troubleshooting "2.14.1 Settings common to all Display models◆System Area Settings"
Port	Select the Display port to be connected to the External Device.



### 3 Example of Communication Setting

Examples of communication settings of the Display and the External Device, recommended by Pro-face, are shown.

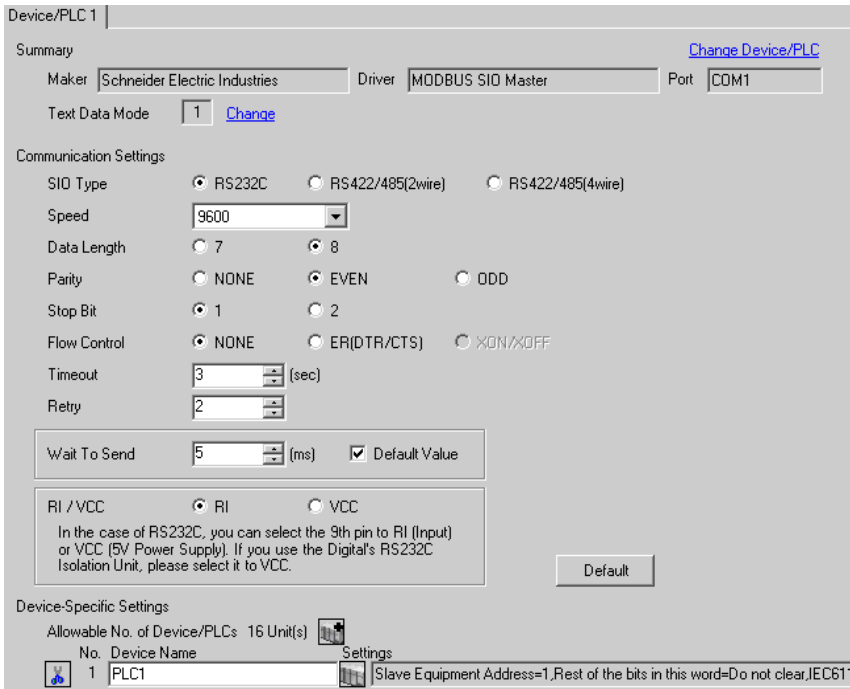
When using MODBUS Series, use GP-Pro EX and the ladder software to set as below.

#### 3.1 Setting Example 1


##### ■ Settings of GP-Pro EX

##### ◆ Communication Settings

To display the setting screen, select [Device/PLC Settings] from [System setting window] in workspace.



◆ Device Setting

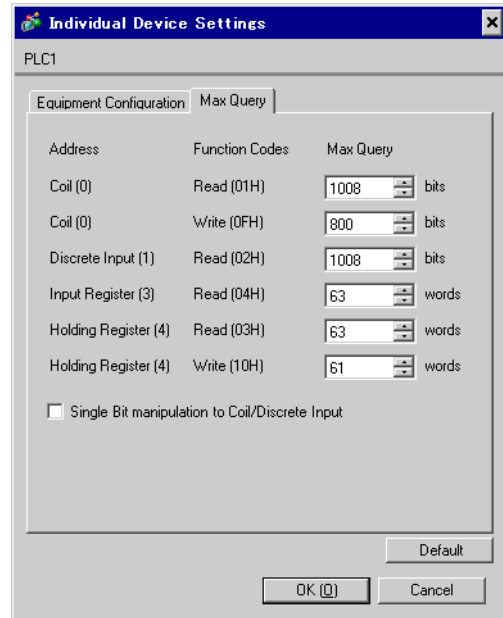
To display the setting screen, click  ([Setting]) of External Device you want to set from [Device-Specific Settings] of [Device/PLC Settings].

When you connect multiple External Device, click  from [Device-Specific Settings] of [Device/PLC Settings] to add another External Device.

[Equipment Configuration] tab



[Max Query] tab



■ Settings of External Device

Use the ladder software "PL7 PRO" for communication settings.

Double-click "Hardware Configuration" from "Configuration" in "Application Browser" of "PL7 PRO". Next, double-click "Comm" in the "Configuration" dialog box. Perform the settings in the displayed dialog box.

Setup Items	Setup Description	
CHANNEL	CHANNEL 0	
	MODBUS/JBUS LINK	MAST
Slave number	1	
Transmission speed	9600bps	
Delay between characters	5msec	
Data	RTU (8 bit)	
Stop	1 bit	
Parity	Even	

◆ Notes

- Please refer to the manual of the ladder software for more detail on other setting description.

## 3.2 Setting Example 2

### ■ Settings of GP-Pro EX

#### ◆ Communication Settings

To display the setting screen, select [Device/PLC Settings] from [System setting window] in workspace.

Device/PLC 1

Summary [Change Device/PLC](#)

Maker  Driver  Port

Text Data Mode  [Change](#)

Communication Settings

SIO Type  RS232C  RS422/485(2wire)  RS422/485(4wire)

Speed

Data Length  7  8

Parity  NONE  EVEN  ODD

Stop Bit  1  2

Flow Control  NONE  ER(DTR/CTS)  XON/XOFF

Timeout  (sec)

Retry

Wait To Send  (ms)  Default Value

RI / VCC  RI  VCC


In the case of RS232C, you can select the 9th pin to RI (Input) or VCC (5V Power Supply). If you use the Digital's RS232C Isolation Unit, please select it to VCC.

Device-Specific Settings

Allowable No. of Device/PLCs 16 Unit(s)

No.	Device Name	Settings
1	PLC1	Slave Equipment Address=1,Rest of the bits in this word=Do not clear,IEC611

◆ Device Setting

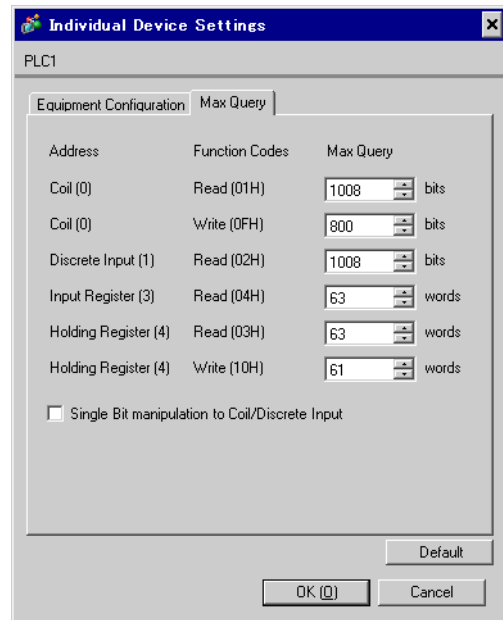
To display the setting screen, click  ([Setting]) of External Device you want to set from [Device-Specific Settings] of [Device/PLC Settings].

When you connect multiple External Device, click  from [Device-Specific Settings] of [Device/PLC Settings] to add another External Device.

[Equipment Configuration] tab



[Max Query] tab



■ Settings of External Device

Use the ladder software "PL7 PRO" for communication settings.

Double-click "Hardware Configuration" from "Configuration" in "Application Browser" of "PL7 PRO". Next, double-click "Comm" in the "Configuration" dialog box. Perform the settings in the displayed dialog box.

Setup Items	Setup Description
CHANNEL	CHANNEL 1
	TSX SCP 111 RS232 MP PCMCIA CARD
	MODBUS/JBUS LINK      MAST
Slave number	1
Type	Slave
Transmission speed	9600bps
Delay between characters	4msec
Data	RTU (8 bit)
Stop	1 bit
Parity	Even

◆ Notes

Please refer to the manual of the ladder software for more detail on other setting description.

### 3.3 Setting Example 3

#### ■ Settings of GP-Pro EX

##### ◆ Communication Settings

To display the setting screen, select [Device/PLC Settings] from [System setting window] in workspace.

Device/PLC 1

Summary [Change Device/PLC](#)

Maker  Driver  Port

Text Data Mode  [Change](#)

Communication Settings

SIO Type  RS232C  RS422/485(2wire)  RS422/485(4wire)

Speed

Data Length  7  8

Parity  NONE  EVEN  ODD

Stop Bit  1  2

Flow Control  NONE  ER(DTR/CTS)  XON/XOFF

Timeout  (sec)

Retry

Wait To Send  (ms)  Default Value

RI / VCC  RI  VCC


In the case of RS232C, you can select the 9th pin to RI (Input) or VCC (5V Power Supply). If you use the Digital's RS232C Isolation Unit, please select it to VCC.

Device-Specific Settings

Allowable No. of Device/PLCs 16 Unit(s)

No.	Device Name	Settings
1	PLC1	Slave Equipment Address=1, Rest of the bits in this word=Do not clear,IEC611

◆ Device Setting

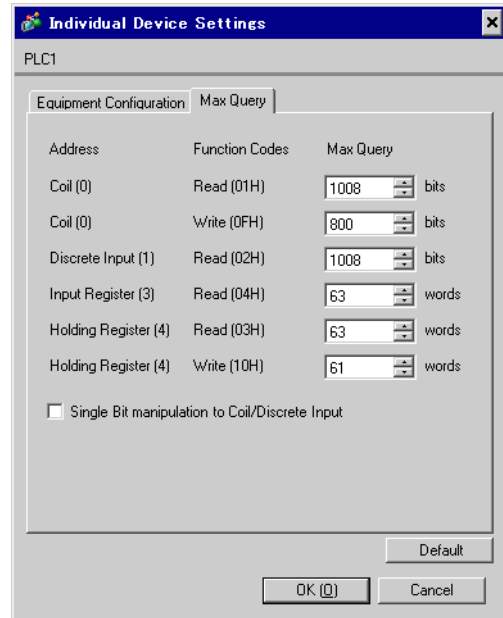
To display the setting screen, click  ([Setting]) of External Device you want to set from [Device-Specific Settings] of [Device/PLC Settings].

When you connect multiple External Device, click  from [Device-Specific Settings] of [Device/PLC Settings] to add another External Device.

[Equipment Configuration] tab



[Max Query] tab



■ Settings of External Device

Use the ladder software "PL7 PRO" for communication settings.

Double-click "Hardware Configuration" from "Configuration" in "Application Browser" of "PL7 PRO". Next, double-click "Comm" in the "Configuration" dialog box. Perform the settings in the displayed dialog box.

Setup Items	Setup Description
CHANNEL	CHANNEL 1
	TSX SCP 114 RS485 MP PCMCIA CARD
	MODBUS/JBUS LINK      MAST
Slave number	1
Type	Slave
Transmission speed	9600bps
Delay between characters	4msec
Data	RTU (8 bit)
Stop	1 bit
Parity	Even

◆ Notes

Please refer to the manual of the ladder software for more detail on other setting description.

## 3.4 Setting Example 4

### ■ Settings of GP-Pro EX

#### ◆ Communication Settings

To display the setting screen, select [Device/PLC Settings] from [System setting window] in workspace.

Device/PLC 1

Summary [Change Device/PLC](#)

Maker  Driver  Port

Text Data Mode  [Change](#)

Communication Settings

SIO Type  RS232C  RS422/485(2wire)  RS422/485(4wire)

Speed

Data Length  7  8

Parity  NONE  EVEN  ODD

Stop Bit  1  2

Flow Control  NONE  ER(DTR/CTS)  XON/XOFF

Timeout  (sec)

Retry

Wait To Send  (ms)  Default Value

RI / VCC  RI  VCC

In the case of RS232C, you can select the 9th pin to RI (Input) or VCC (5V Power Supply). If you use the Digital's RS232C Isolation Unit, please select it to VCC.


Default

Device-Specific Settings

Allowable No. of Device/PLCs: 16 Unit(s)

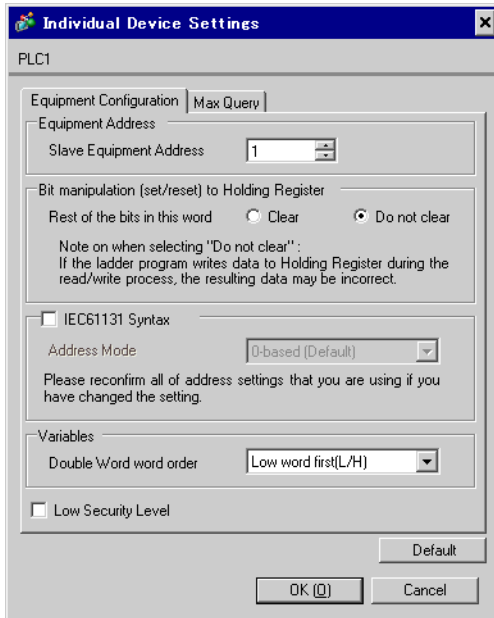
No.	Device Name	Settings
1	PLC1	Slave Equipment Address=1,Rest of the bits in this word=Do not clear,EC611

◆ Device Setting

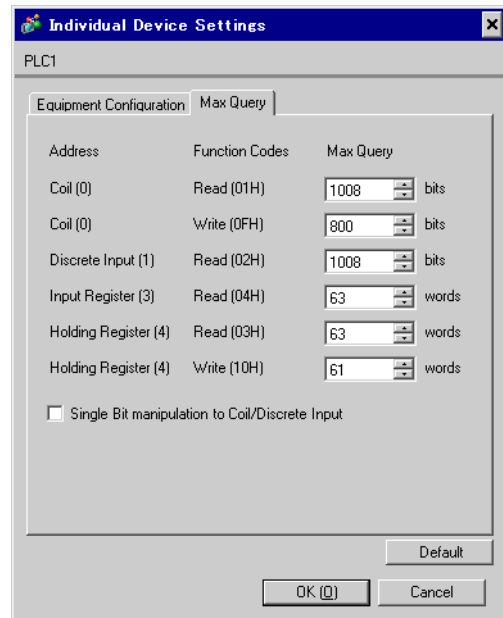
To display the setting screen, click  ([Setting]) of External Device you want to set from [Device-Specific Settings] of [Device/PLC Settings].

When you connect multiple External Device, click  from [Device-Specific Settings] of [Device/PLC Settings] to add another External Device.

[Equipment Configuration] tab



[Max Query] tab



■ Settings of External Device

Use the ladder software "PL7 PRO" for communication settings.

Double-click "Hardware Configuration" from "Configuration" in "Application Browser" of "PL7 PRO". Next, double-click "Comm" in the "Configuration" dialog box. Perform the settings in the displayed dialog box.

Setup Items	Setup Description	
CHANNEL	CHANNEL 1	
	TSX SCP 111 RS232 MP PCMCIA CARD	
	MODBUS/JBUS LINK	MAST
Type	Slave	
Slave number	1	
Transmission speed	9600bps	
Delay between characters	4msec	
Data	RTU (8 bit)	
Stop	1 bit	
Parity	Even	

◆ Notes

- Please refer to the manual of the ladder software for more detail on other setting description.



## 3.5 Setting Example 5

### ■ Settings of GP-Pro EX

#### ◆ Communication Settings

To display the setting screen, select [Device/PLC Settings] from [System setting window] in workspace.

Device/PLC 1

Summary [Change Device/PLC](#)

Maker  Driver  Port

Text Data Mode  [Change](#)

Communication Settings

SIO Type  RS232C  RS422/485(2wire)  RS422/485(4wire)

Speed

Data Length  7  8

Parity  NONE  EVEN  ODD

Stop Bit  1  2

Flow Control  NONE  ER(DTR/CTS)  XON/XOFF

Timeout  (sec)

Retry

Wait To Send  (ms)  Default Value

RI / VCC  RI  VCC


In the case of RS232C, you can select the 9th pin to RI (Input) or VCC (5V Power Supply). If you use the Digital's RS232C Isolation Unit, please select it to VCC.

Device-Specific Settings

Allowable No. of Device/PLCs: 16 Unit(s)

No.	Device Name	Settings
<input type="button" value="v"/> 1	<input type="text" value="PLC1"/>	<input type="button" value="Settings"/> Slave Equipment Address=1, Rest of the bits in this word=Do not clear,IEC611

◆ Device Setting

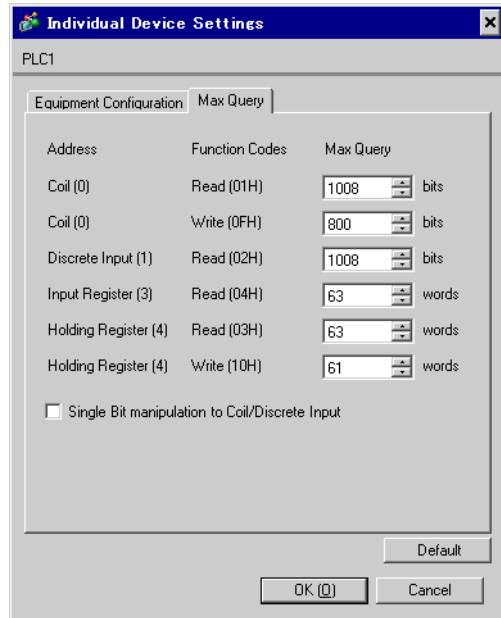
To display the setting screen, click  ([Setting]) of External Device you want to set from [Device-Specific Settings] of [Device/PLC Settings].

When you connect multiple External Device, click  from [Device-Specific Settings] of [Device/PLC Settings] to add another External Device.

[Equipment Configuration] tab



[Max Query] tab



■ Settings of External Device

Use the ladder software "PL7 PRO" for communication settings.

Double-click "Hardware Configuration" from "Configuration" in "Application Browser" of "PL7 PRO". Next, double-click "Comm" in the "Configuration" dialog box. Perform the settings in the displayed dialog box.

Setup Items	Setup Description
CHANNEL	CHANNEL 1
	TSX SCP 114 RS485 MP PCMCIA CARD
	MODBUS/JBUS LINK      MAST
Type	Slave
Slave number	1
Transmission speed	9600bps
Delay between characters	4msec
Data	RTU (8 bit)
Stop	1 bit
Parity	Even

◆ Notes

Please refer to the manual of the ladder software for more detail on other setting description.

## 3.6 Setting Example 6

### ■ Settings of GP-Pro EX

#### ◆ Communication Settings

To display the setting screen, select [Device/PLC Settings] from [System setting window] in workspace.

Device/PLC 1

Summary [Change Device/PLC](#)

Maker  Driver  Port

Text Data Mode  [Change](#)

Communication Settings

SIO Type  RS232C  RS422/485(2wire)  RS422/485(4wire)

Speed

Data Length  7  8

Parity  NONE  EVEN  ODD

Stop Bit  1  2

Flow Control  NONE  ER(DTR/CTS)  XON/XOFF

Timeout  (sec)

Retry

Wait To Send  (ms)  Default Value

RI / VCC  RI  VCC


In the case of RS232C, you can select the 9th pin to RI (Input) or VCC (V Power Supply). If you use the Digital's RS232C Isolation Unit, please select it to VCC.

Device-Specific Settings

Allowable No. of Device/PLCs: 16 Unit(s)

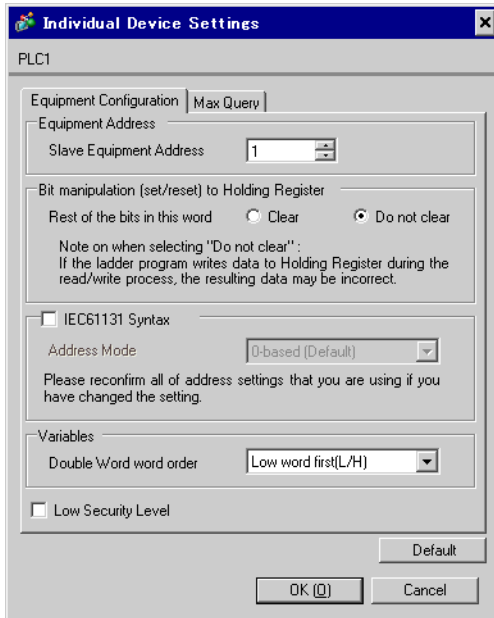
No.	Device Name	Settings
1	PLC1	Slave Equipment Address=1,Rest of the bits in this word=Do not clear,IEC611

◆ Device Setting

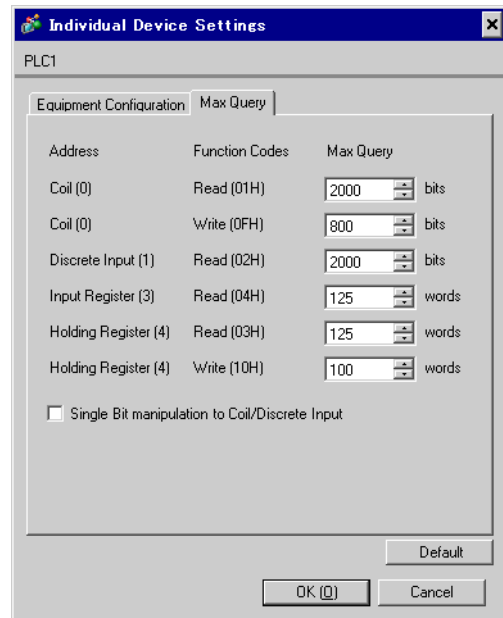
To display the setting screen, click  ([Setting]) of External Device you want to set from [Device-Specific Settings] of [Device/PLC Settings].

When you connect multiple External Device, click  from [Device-Specific Settings] of [Device/PLC Settings] to add another External Device.

[Equipment Configuration] tab



[Max Query] tab



■ Settings of External Device

Use the ladder software "TwidoSoft" for communication settings.

Select "Hardware" from "TWDLMDA40DUK" in "Application Browser" of "TwidoSoft", and right-click on "Port 1 : Remote Link, 1" to select "Edit Controller Comm Setup...".

Perform the settings in the "Controller Communication Setup" dialog box displayed next.

Setup Items		Setup Description
Protocol	Type	Modbus
	Address	1
Parameters	Baud Rate	19200
	Data Bits	8
	Parity	None
	Stop Bits	1
End of Frame		10
Response Timeout		10 x 100msec
Frame Timeout		4msec

◆ Notes

Please refer to the manual of the ladder software for more detail on other setting description.

## 3.7 Setting Example 7

### ■ Settings of GP-Pro EX

#### ◆ Communication Settings

To display the setting screen, select [Device/PLC Settings] from [System setting window] in workspace.

Device/PLC 1

Summary [Change Device/PLC](#)

Maker  Driver  Port

Text Data Mode  [Change](#)

Communication Settings

SIO Type  RS232C  RS422/485(2wire)  RS422/485(4wire)

Speed

Data Length  7  8

Parity  NONE  EVEN  ODD

Stop Bit  1  2

Flow Control  NONE  ER(DTR/CTS)  XON/XOFF

Timeout  (sec)

Retry

Wait To Send  (ms)  Default Value

RI / VCC  RI  VCC


In the case of RS232C, you can select the 9th pin to RI (Input) or VCC (V<sub>CC</sub> Power Supply). If you use the Digital's RS232C Isolation Unit, please select it to VCC.

Device-Specific Settings

Allowable No. of Device/PLCs 16 Unit(s)

No.	Device Name	Settings
1	PLC1	Slave Equipment Address=1, Rest of the bits in this word=Do not clear, JEC611

◆ Device Setting

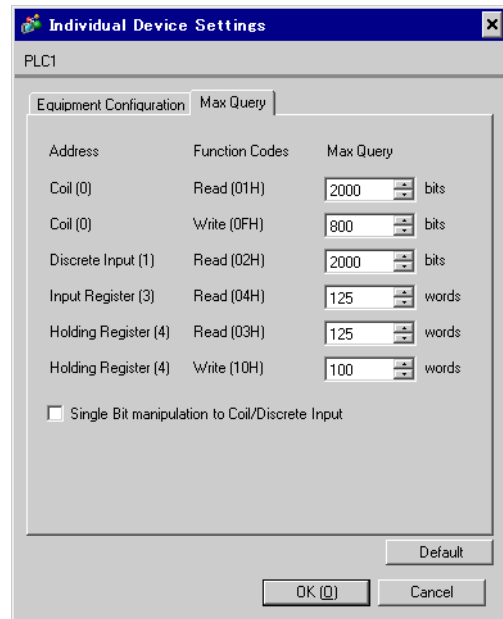
To display the setting screen, click  ([Setting]) of External Device you want to set from [Device-Specific Settings] of [Device/PLC Settings].

When you connect multiple External Device, click  from [Device-Specific Settings] of [Device/PLC Settings] to add another External Device.

[Equipment Configuration] tab



[Max Query] tab



■ Settings of External Device

Use the ladder software "TwidoSoft" for communication settings.

Right-click on "Hardware" from "TWDLMDA40DUK" in "Application Browser" of "TwidoSoft" to select "Add Option...". Right-click on "Port 2 : Modbus, 1" added to "Hardware" in "TWDLMDA40DUK" to select "Edit Controller Comm Setup...".

Perform the settings in the "Controller Communication Setup" dialog box displayed next.

Setup Items		Setup Description
Protocol	Type	Modbus
	Address	1
Parameters	Baud Rate	19200
	Data Bits	8
	Parity	None
	Stop Bits	1
End of Frame		10
Response Timeout		10 x 100msec
Frame Timeout		10msec

◆ Notes

Please refer to the manual of the ladder software for more detail on other setting description.

## 3.8 Setting Example 8

### ■ Settings of GP-Pro EX

#### ◆ Communication Settings

To display the setting screen, select [Device/PLC Settings] from [System setting window] in workspace.

Device/PLC 1

Summary [Change Device/PLC](#)

Maker  Driver  Port

Text Data Mode  [Change](#)

Communication Settings

SIO Type  RS232C  RS422/485(2wire)  RS422/485(4wire)

Speed

Data Length  7  8

Parity  NONE  EVEN  ODD

Stop Bit  1  2

Flow Control  NONE  ER(DTR/CTS)  XON/XOFF

Timeout  (sec)

Retry

Wait To Send  (ms)  Default Value

RI / VCC  RI  VCC

In the case of RS232C, you can select the 9th pin to RI (Input) or VCC (5V Power Supply). If you use the Digital's RS232C Isolation Unit, please select it to VCC.


Default

Device-Specific Settings

Allowable No. of Device/PLCs 16 Unit(s)

No.	Device Name	Settings
1	PLC1	Slave Equipment Address=1,Rest of the bits in this word=Do not clear,IEC611

◆ Device Setting

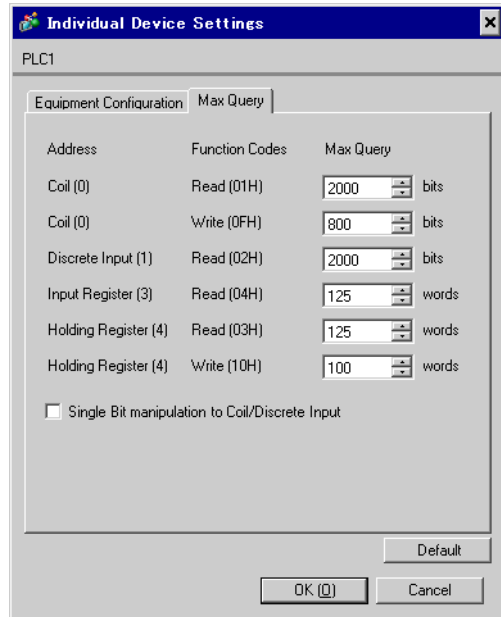
To display the setting screen, click  ([Setting]) of External Device you want to set from [Device-Specific Settings] of [Device/PLC Settings].

When you connect multiple External Device, click  from [Device-Specific Settings] of [Device/PLC Settings] to add another External Device.

[Equipment Configuration] tab



[Max Query] tab



■ Settings of External Device

Use the ladder software "Concept" for communication settings.

After selecting the External Device in Quantum Series in "PLC Selection" of "Concept", select "Modbus Port Settings" and perform the settings in the "Modbus Port Settings" dialog box.

Setup Items	Setup Description
Baud	19200
Data Bits	8
Stop Bits	1
Parity	Even
Delay(ms)	10
Address	1
Head slot	0
Mode	RTU
Protocol	RS232

◆ Notes

Please refer to the manual of the ladder software for more detail on other setting description.



## 3.9 Setting Example 9

### ■ Settings of GP-Pro EX

#### ◆ Communication Settings

To display the setting screen, select [Device/PLC Settings] from [System setting window] in workspace.

Device/PLC 1

Summary [Change Device/PLC](#)

Maker  Driver  Port

Text Data Mode  [Change](#)

Communication Settings

SIO Type  RS232C  RS422/485(2wire)  RS422/485(4wire)

Speed

Data Length  7  8

Parity  NONE  EVEN  ODD

Stop Bit  1  2

Flow Control  NONE  ER(DTR/CTS)  XON/XOFF

Timeout  (sec)

Retry

Wait To Send  (ms)  Default Value

RI / VCC  RI  VCC


In the case of RS232C, you can select the 9th pin to RI (Input) or VCC (5V Power Supply). If you use the Digital's RS232C Isolation Unit, please select it to VCC.

Device-Specific Settings

Allowable No. of Device/PLCs: 16 Unit(s)

No.	Device Name	Settings
1	PLC1	Slave Equipment Address=1,Rest of the bits in this word=Do not clear,IEC611

◆ Device Setting

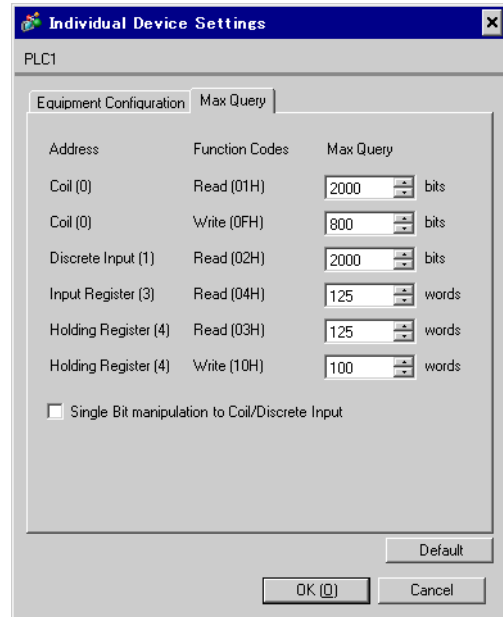
To display the setting screen, click  ([Setting]) of External Device you want to set from [Device-Specific Settings] of [Device/PLC Settings].

When you connect multiple External Device, click  from [Device-Specific Settings] of [Device/PLC Settings] to add another External Device.

[Equipment Configuration] tab



[Max Query] tab



■ Settings of External Device

Use the ladder software "Concept" for communication settings.

After selecting the External Device in Momentum Series in "PLC Selection" of "Concept", select "Modbus Port Settings" and perform the settings in the "Modbus Port Settings" dialog box.

Setup Items	Setup Description
Baud	19200
Data Bits	8
Stop Bits	1
Parity	Even
Delay(ms)	10
Address	1
Head slot	0
Mode	RTU
Protocol	RS232

◆ Notes

Please refer to the manual of the ladder software for more detail on other setting description.

## 3.10 Setting Example 10

### ■ Settings of GP-Pro EX

#### ◆ Communication Settings

To display the setting screen, select [Device/PLC Settings] from [System setting window] in workspace.

Device/PLC 1

Summary [Change Device/PLC](#)

Maker  Driver  Port

Text Data Mode  [Change](#)

Communication Settings

SIO Type  RS232C  RS422/485(2wire)  RS422/485(4wire)

Speed

Data Length  7  8

Parity  NONE  EVEN  ODD

Stop Bit  1  2

Flow Control  NONE  ER(DTR/CTS)  XON/XOFF

Timeout  (sec)

Retry

Wait To Send  (ms)  Default Value

RI / VCC  RI  VCC


In the case of RS232C, you can select the 9th pin to RI (Input) or VCC (5V Power Supply). If you use the Digital's RS232C Isolation Unit, please select it to VCC.

Device-Specific Settings

Allowable No. of Device/PLCs 16 Unit(s)

No.	Device Name	Settings
1	PLC1	Slave Equipment Address=1,Rest of the bits in this word=Do not clear,IEC611

◆ Device Setting

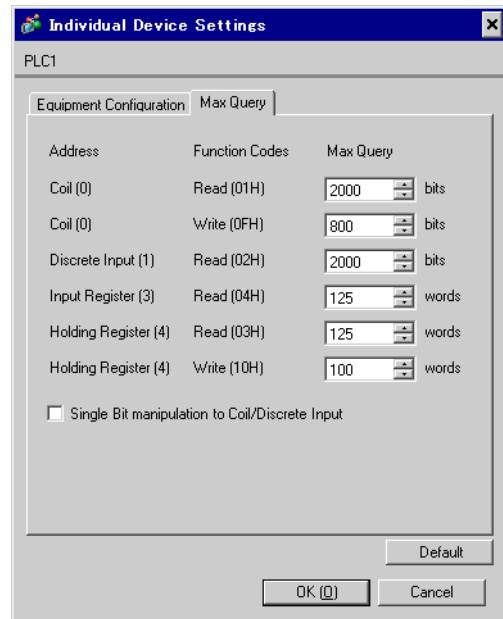
To display the setting screen, click  ([Setting]) of External Device you want to set from [Device-Specific Settings] of [Device/PLC Settings].

When you connect multiple External Device, click  from [Device-Specific Settings] of [Device/PLC Settings] to add another External Device.

[Equipment Configuration] tab



[Max Query] tab



■ Settings of External Device

Use the ladder software "Concept" for communication settings.

After selecting the External Device in Momentum Series in "PLC Selection" of "Concept", select "Modbus Port Settings" and perform the settings in the "Modbus Port Settings" dialog box.

Setup Items	Setup Description
Baud	19200
Data Bits	8
Stop Bits	1
Parity	Even
Delay(ms)	10
Address	1
Head slot	0
Mode	RTU
Protocol	RS485

◆ Notes

Please refer to the manual of the ladder software for more detail on other setting description.

## 4 Setup Items

Set communication settings of the Display with GP-Pro EX or in off-line mode of the Display.

The setting of each parameter must be identical to that of External Device.

☞ "3 Example of Communication Setting" (page 9)

### 4.1 Setup Items in GP-Pro EX

#### ■ Communication Settings


To display the setting screen, select [Device/PLC Settings] from [System setting window] in workspace.

Setup Items	Setup Description
SIO Type	Select the SIO type to communicate with the External Device.
Speed	Select speed between the External Device and the Display.
Data Length	Select data length.
Parity	Select how to check parity.
Stop Bit	Select stop bit length.
Flow Control	Select the communication control method to prevent overflow of transmission and reception data.
Timeout	Use an integer from 1 to 127 to enter the time (s) for which the Display waits for the response from the External Device.
Retry	In case of no response from the External Device, use an integer from 0 to 255 to enter how many times the Display retransmits the command.

continued to next page

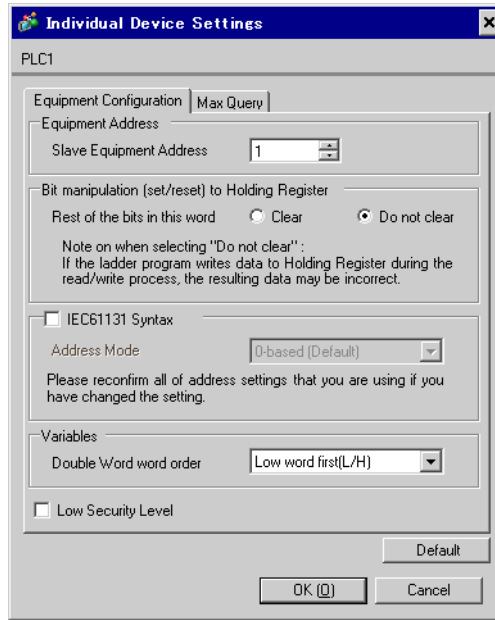
Setup Items	Setup Description
Wait To Send	<p>Use an integer from 0 to 255 to enter standby time (ms) for the Display from receiving packets to transmitting next commands.</p> <p>When the check box of the default value is checked, the Wait To Send value automatically changes in the formula below by changing each value for Speed/Data Length/Parity/Stop Bit.</p> $\text{Wait To Send (ms)} = \frac{3500 \times (1 + \text{Data Length} + \text{Stop Bit} + \text{Parity})}{\text{Speed (bps)}}$ <p>Value for the parity setting is shown below.            No Parity = 0            Parity Even = 1            Parity Odd = 1</p>
RI/VCC	<p>You can switch RI/VCC of the 9th pin when you select RS232C for SIO type.</p> <p>It is necessary to change RI/5V by changeover switch of IPC when connect with IPC.</p> <p>Please refer to the manual of the IPC for more detail.</p>

◆ Device Setting

To display the setting screen, click  ([Setting]) of External Device you want to set from [Device-Specific Settings] of [Device/PLC Settings].

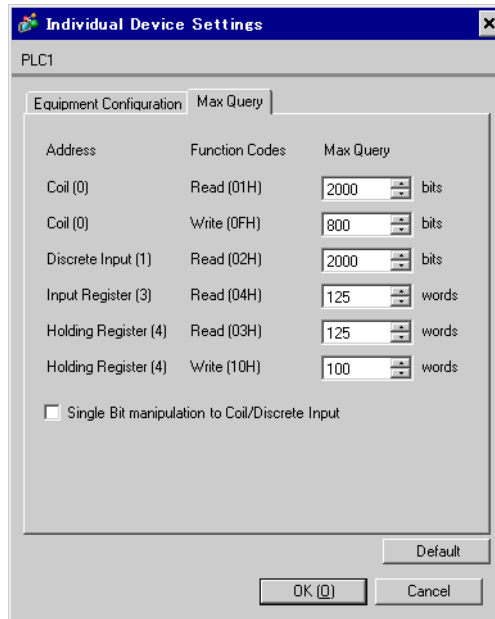
When you connect multiple External Device, click  from [Device-Specific Settings] of [Device/PLC Settings] to add another External Device.

[Equipment Configuration] tab



Setup Items	Setup Description
Slave Equipment Address	Use an integer from 1 to 247 to enter the slave equipment address of the External Device.
Bit manipulation (set / reset) to Holding Resister Rest of the bits in this word	From "Clear" or "Do not clear", select treatment of the rest of the bits in the same word when the bit manipulation to Holding Register is performed.
IEC61131 Syntax	Check this item when you use the IEC61131 syntax for variables. In case that you check on, select Address Mode, [0-based] or [1-based].
Double Word word order	Select the order of storing double word data from "Low word first" or "High word first".
Low Security Level	Put a check when lowering the format check level.

[Max Query] tab



Setup Items	Setup Description
Coil Read	Set the number of max data for device [coil] which can be read for one communication, using 16 to 2000 bits. <b>NOTE</b> • When [Single Bit manipulation to Coil/Discrete Input] is checked, set the data maximum number from 1 to 2000.
Coil Write	Set the number of max data for device [coil] which can be written for one communication, using 1 to 800 bits.
Discrete Input Read	Set the number of max data for device [discrete input] which can be read for one communication, using 16 to 2000 bits. <b>NOTE</b> • When [Single Bit manipulation to Coil/Discrete Input] is checked, set the data maximum number from 1 to 2000.
Input Register Read	Set the number of max data for device [input register] which can be read for one communication, using 1 to 125 words.
Holding Register Read	Set the number of max data for device [holding register] which can be read for one communication, using 1 to 125 words.
Holding Register Write	Set the number of max data for device [holding register] which can be written for one communication, using 1 to 100 words.
Single Bit manipulation to Coil/Discrete Input	Put a check when writing in or reading out coil or discreet input in bits.



## 4.2 Setup Items in Off-Line Mode

- NOTE** • Please refer to Maintenance/Troubleshooting for more information on how to enter off-line mode or about operation.  
Cf. Maintenance/Troubleshooting "2.2 Offline Mode"

### ◆ Communication Settings

To display the setting screen, touch [Device/PLC Settings] from [Peripheral Settings] in off-line mode. Touch the External Device you want to set from the displayed list.

Comm.	Device	Option		
MODBUS SIO Master		[COM1]	Page 1/1	
SIO Type	RS232C			
Speed	19200			
Data Length	<input type="radio"/> 7 <input checked="" type="radio"/> 8			
Parity	<input type="radio"/> NONE <input checked="" type="radio"/> EVEN <input type="radio"/> ODD			
Stop Bit	<input checked="" type="radio"/> 1 <input type="radio"/> 2			
Flow Control	NONE			
Timeout(s)	3			
Retry	2			
Wait To Send(ms)	3			
Exit		Back		2005/09/02 13:11:46

Setup Items	Setup Description
SIO Type	Select the SIO type to communicate with the External Device. <b>IMPORTANT</b> To make the communication settings correctly, confirm the serial interface specifications of Display unit for [SIO Type]. We cannot guarantee the operation if a communication type that the serial interface does not support is specified. For details concerning the serial interface specifications, refer to the manual for Display unit.
Speed	Select speed between the External Device and the Display.
Data Length	Select data length.
Parity	Select how to check parity.
Stop Bit	Select stop bit length.
Flow Control	Select the communication control method to prevent overflow of transmission and reception data.
Timeout	Use an integer from 1 to 127 to enter the time (s) for which the Display waits for the response from the External Device.

continued to next page

Setup Items	Setup Description
Retry	In case of no response from the External Device, use an integer from 0 to 255 to enter how many times the Display retransmits the command.
Wait To Send	<p>Use an integer from 0 to 255 to enter standby time (ms) for the Display from receiving packets to transmitting next commands. When each value of Speed/Data Length/Parity/Stop Bit is changed, calculate the Wait To Send value in the formula below and set it.</p> $\text{Wait To Send (ms)} = \frac{3500 \times (1 + \text{Data Length} + \text{Stop Bit} + \text{Parity})}{\text{Speed (bps)}}$ <p>Value for the parity setting is shown below. No Parity = 0 Parity Even = 1 Parity Odd = 1</p>

◆ Device Setting

To display the setting screen, touch [Device/PLC Settings] from [Peripheral Settings]. Touch the External Device you want to set from the displayed list, and touch [Device].

Comm.	Device	Option		
MODBUS SIO Master		[COM1]	Page 1/1	
Device/PLC Name [PLC1] ▼				
Slave Address		1 ▼ ▲		
Bit manipulation to HR		Rest of bits in word are not cleared		
IEC61131 Syntax		OFF		
Double Word word order		Low word first		
Low Security Level		OFF		
Max Query				
Read Coil		2000 bits		
Write Coil		800 bits		
Read Discrete Input		2000 bits		
Read Input Register		125 ▼ ▲		
Read Holding Register		125 ▼ ▲		
Write Holding Register		100 ▼ ▲		
Single Bit manipulation		OFF		
Exit		Back		2007/06/28 12:26:16

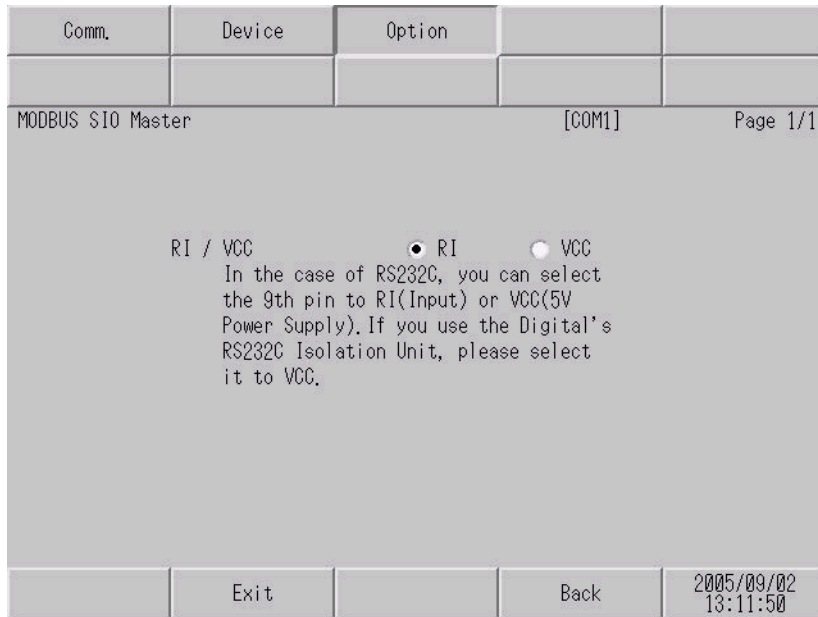
Setup Items	Setup Description
Device/PLC Name	Select the External Device for device setting. Device name is a title of External Device set with GP-Pro EX. (Initial value [PLC1])
Slave Address	Use an integer from 1 to 247 to enter the slave equipment address of the External Device.
Bit manipulation to HR	From "Rest of bits in word are cleared" or "Rest of bits in word are not cleared", select treatment of the rest of the bits in the same word when the bit manipulation to Holding Register is performed. (Not available to set in off-line mode.)
IEC61131 Syntax	Displays the usage status of the currently set IEC61131 syntax in ON/OFF. (Not available in off-line mode.)
Double Word word order	Displays the currently set order of storing double word data from "Low word first" or "High word first". (Not available to set in off-line mode.)
Low Security Level	When an format check level is lowered, ON/OFF is displayed. When the level is lowered, ON is displayed. (Not available to set in off-line mode.)
Coil	Displays the number of max data for device [coil] which can be read for one communication. (Not available to set in off-line mode.)
Read	
Coil	Displays the number of max data for device [coil] which can be written for one communication. (Not available to set in off-line mode.)
Write	
Discrete Input	Displays the number of max data for device [discrete input] which can be read for one communication. (Not available to set in off-line mode.)
Read	

continued to next page

Setup Items	Setup Description
Input Register Read	Set the number of max data for device [input register] which can be read for one communication, using 1 to 125 words.
Holding Register Read	Set the number of max data for device [holding register] which can be read for one communication, using 1 to 125 words.
Holding Register Write	Set the number of max data for device [holding register] which can be written for one communication, using 1 to 100 words.
Single Bit manipulation	ON/OFF display shows whether the coil or discreet input is written or read out in bits. If ON is displayed, writing or reading can be executed in bits. (Not available to set in off-line mode.)

◆ Option

To display the setting screen, touch [Device/PLC Settings] from [Peripheral Settings]. Touch the External Device you want to set from the displayed list, and touch [Option].



Setup Items	Setup Description
RI/VCC	You can switch RI/VCC of the 9th pin when you select RS232C for SIO type. It is necessary to change RI/5V by changeover switch of IPC when connect with IPC. Please refer to the manual of the IPC for more detail.

## 5 Cable Diagram

The cable diagram shown below may be different from the cable diagram recommended by Schneider Electric Industries. Please be assured there is no operational problem in applying the cable diagram shown in this manual.

- The FG pin of the External Device body must be D-class grounded. Please refer to the manual of the External Device for more details.
- SG and FG are connected inside the Display. When connecting SG to the External Device, design the system not to form short-circuit loop.
- Connect the isolation unit, when communication is not stabilized under the influence of a noise etc.


Cable Diagram 1

Display (Connection Port)	Cable		Notes
GP* <sup>1</sup> (COM1) AGP-3302B (COM2)	A	COM port conversion adapter by Pro-face CA3-ADPCOM-01 + Connector terminal block conversion adapter by Pro-face CA3-ADPTRM-01 + Your own cable	The cable length must be 200m or less.
	B	Your own cable	
GP* <sup>2</sup> (COM2)	C	Online adapter by Pro-face CA4-ADPONL-01 + Connector terminal block conversion adapter by Pro-face CA3-ADPTRM-01 + Your own cable	
	D	Online adapter by Pro-face CA4-ADPONL-01 + Your own cable	
IPC* <sup>3</sup>	E	COM port conversion adapter by Pro-face CA3-ADPCOM-01 + Connector terminal block conversion adapter by Pro-face CA3-ADPTRM-01 + Your own cable	
	F	Your own cable	

\*1 All GP models except AGP-3302B

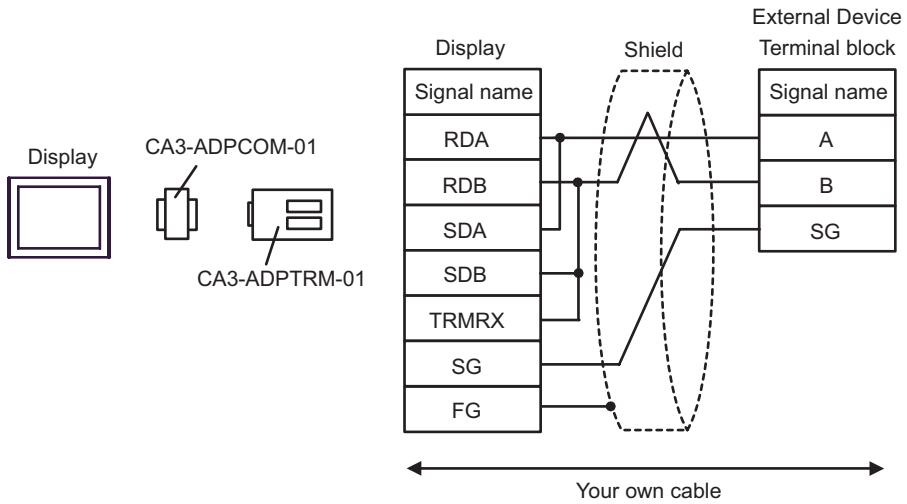
\*2 All GP models except GP-3200 series and AGP-3302B

\*3 Only the COM port which can communicate by RS-422/485 (2 wire) can be used.

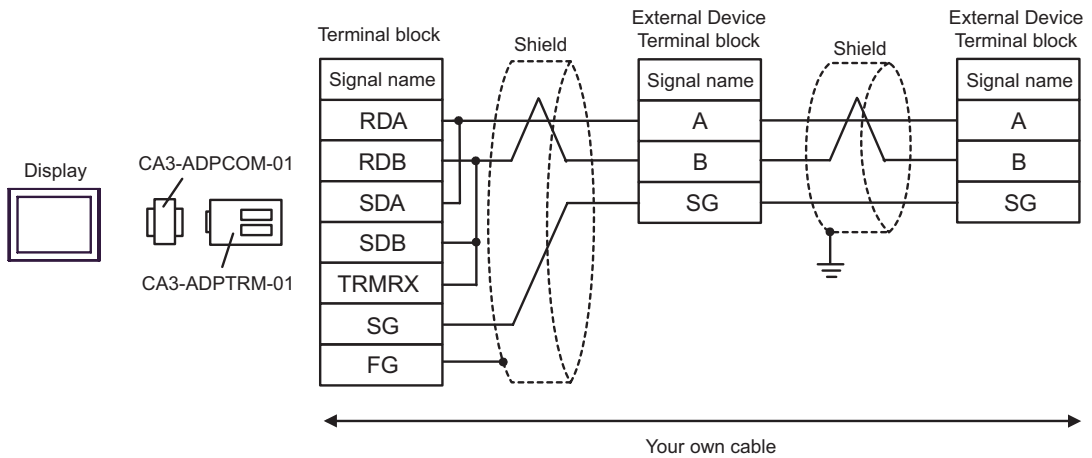
 ■ COM Port of IPC (page 6)

A) When using the COM port conversion adapter (CA3-ADPCOM-01), the connector terminal block conversion adapter (CA3-ADPTRM-01) by Pro-face and your own cable

- 1:1 Connection

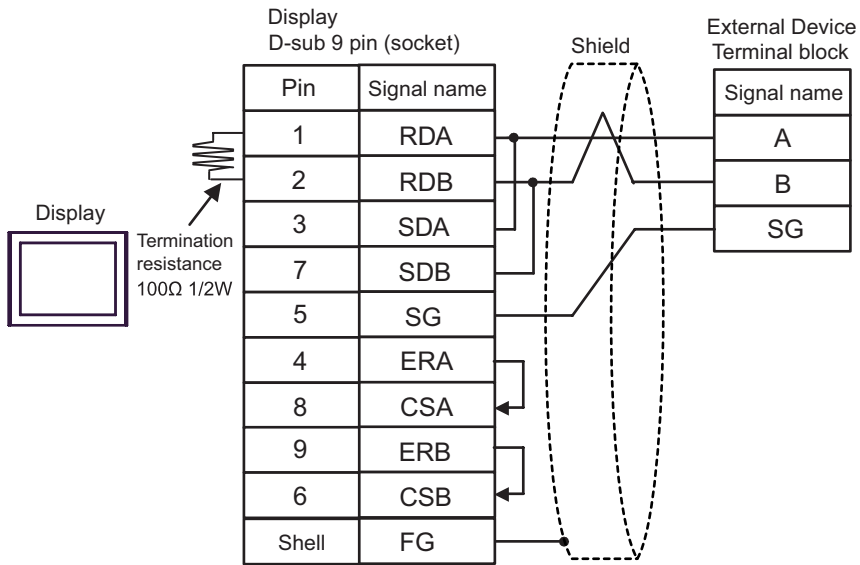


- 1:n Connection

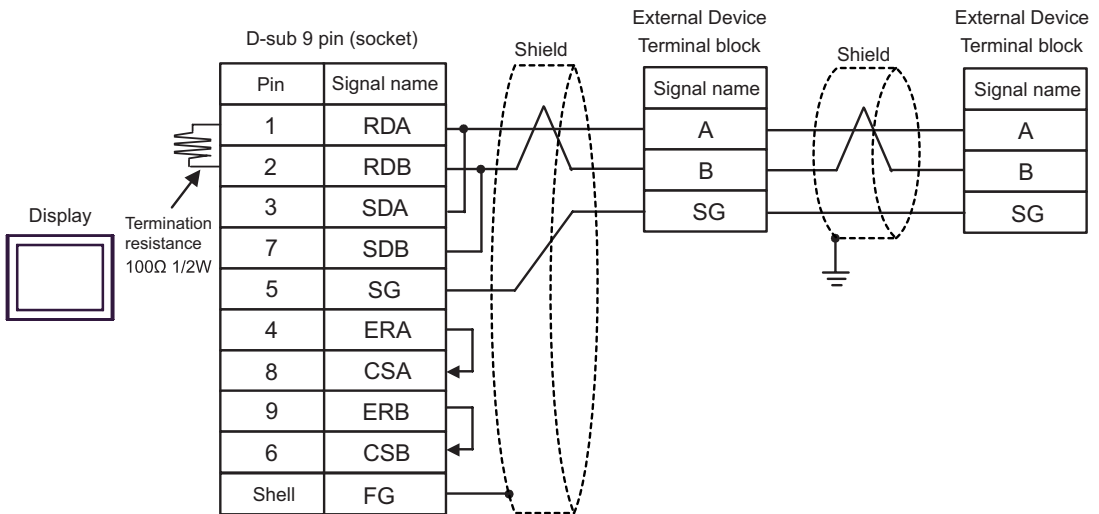


B) When using your own cable

- 1:1 Connection



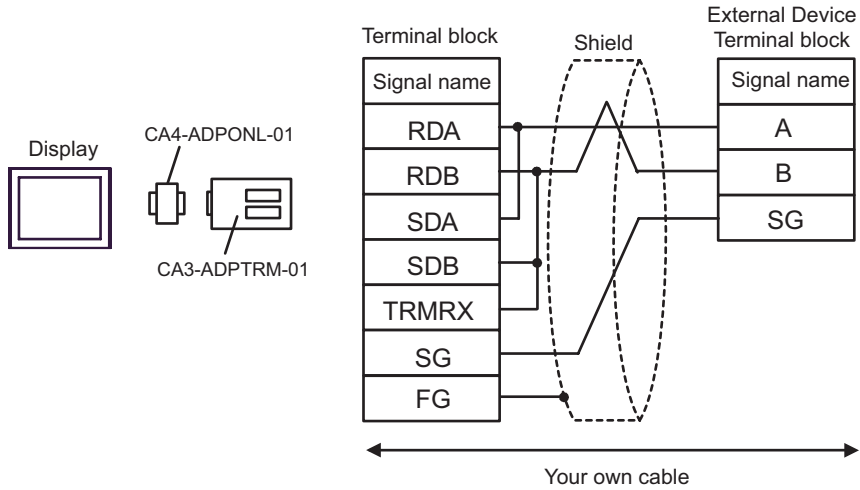
- 1:n Connection



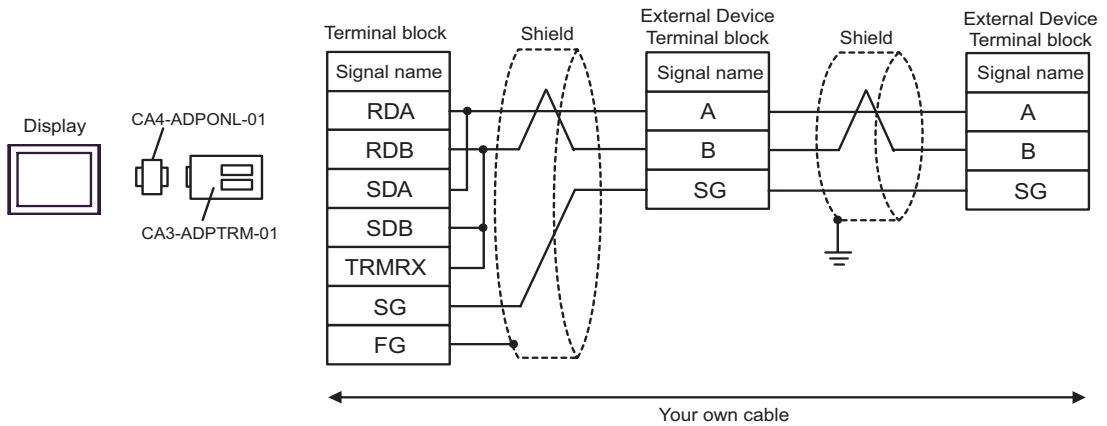


C) When using the online adapter (CA4-ADPONL-01), the connector terminal block conversion adapter (CA3-ADPTRM-01) by Pro-face and your own cable

- 1:1 Connection

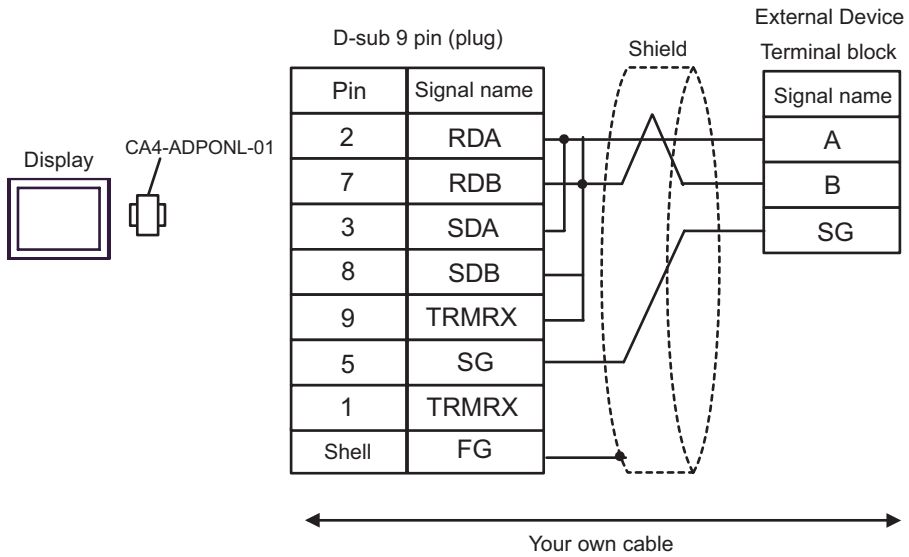


- 1:n Connection

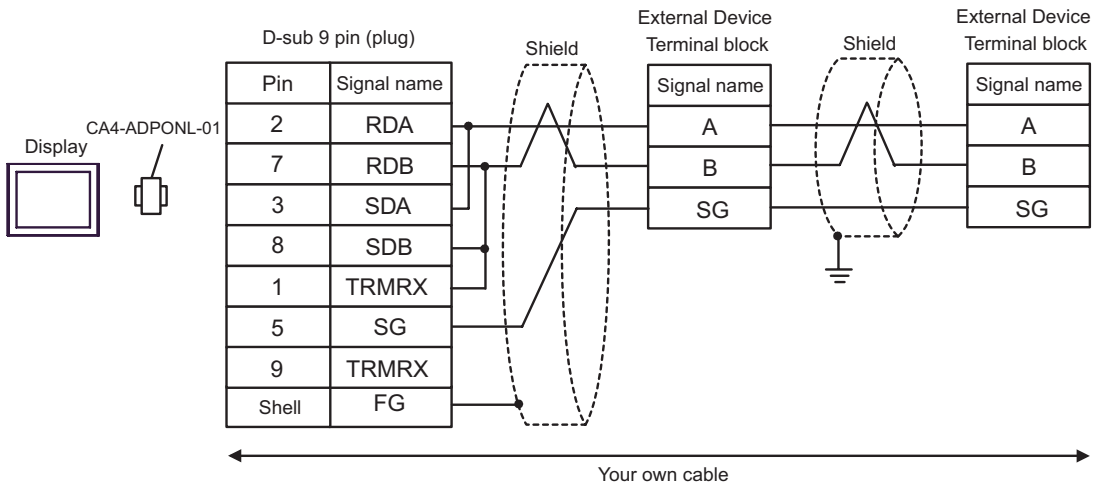


D) When using the online adapter (CA4-ADPONL-01) by Pro-face and your own cable

- 1:1 Connection

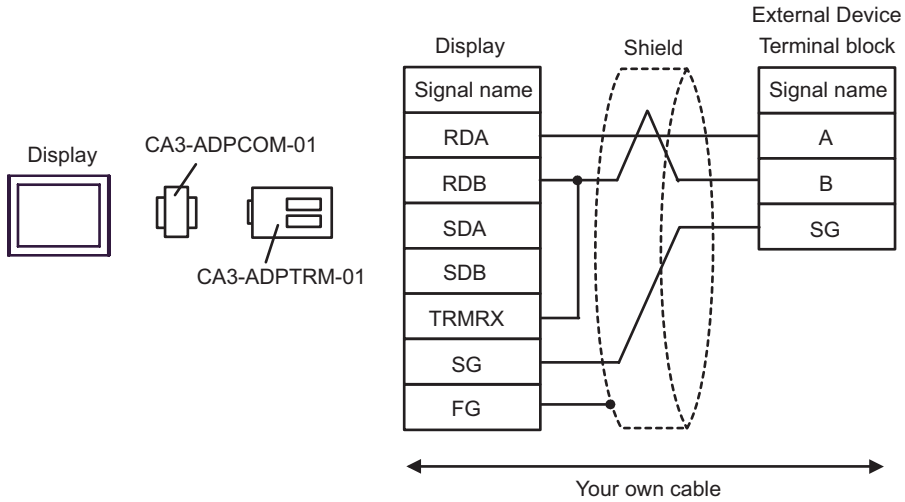


- 1:n Connection

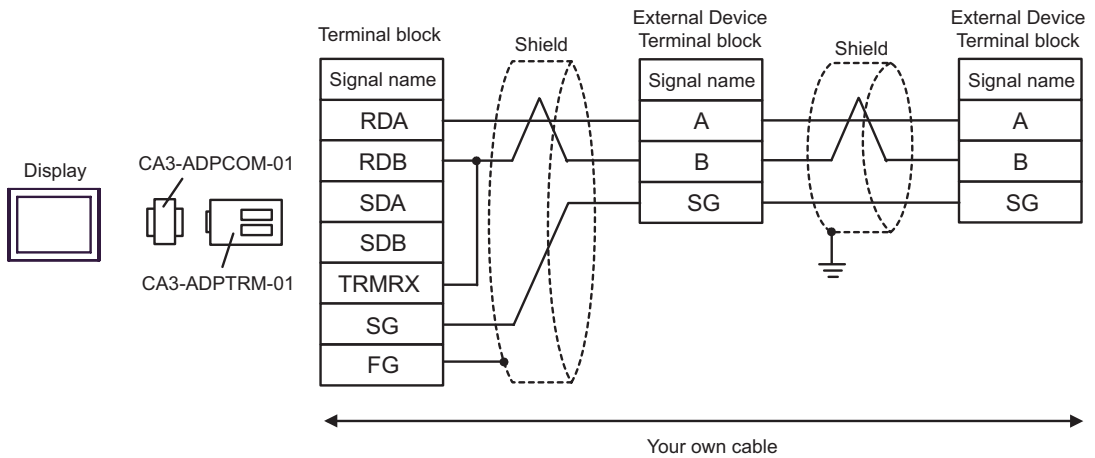


E) When using the COM port conversion adapter (CA3-ADPCOM-01), the connector terminal block conversion adapter (CA3-ADPTRM-01) by Pro-face and your own cable

- 1:1 Connection

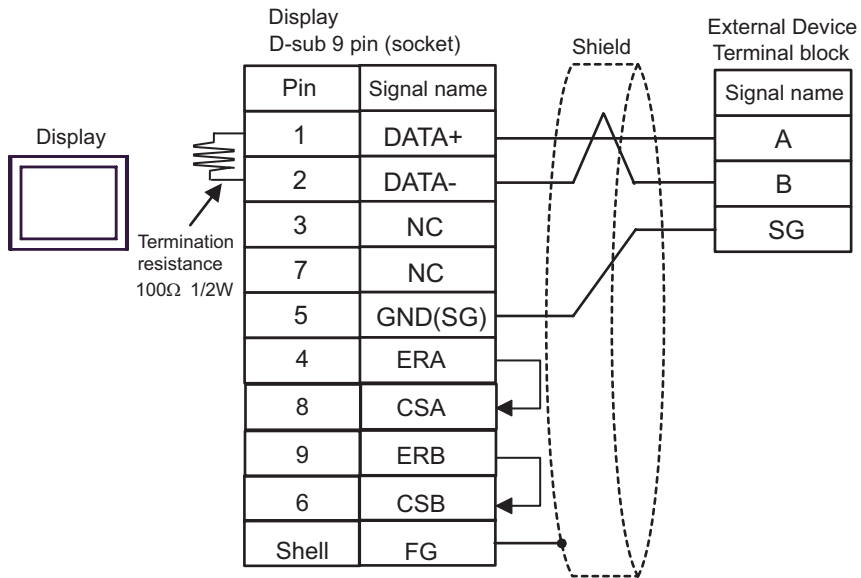


- 1:n Connection

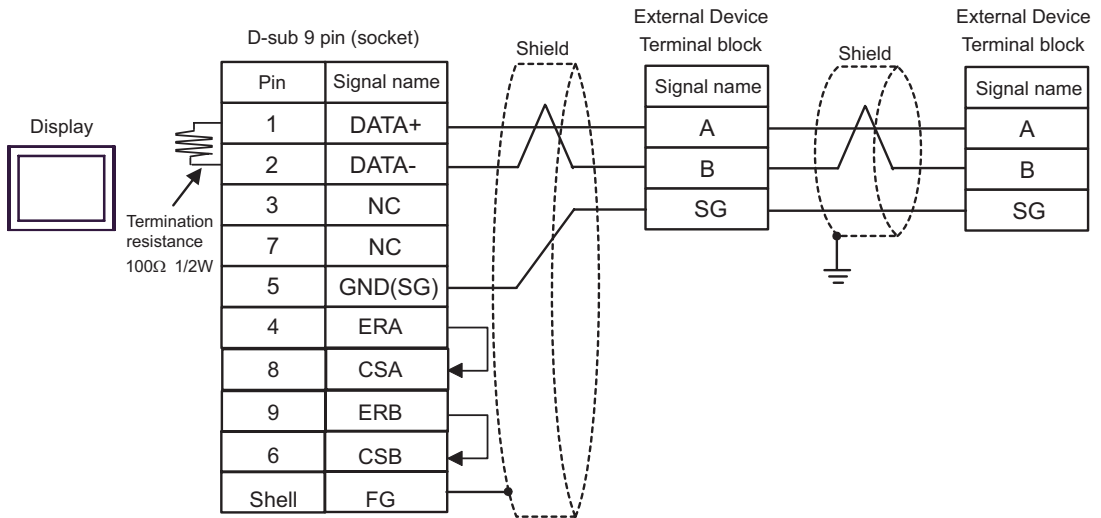


F) When using your own cable

- 1:1 Connection



- 1:n Connection



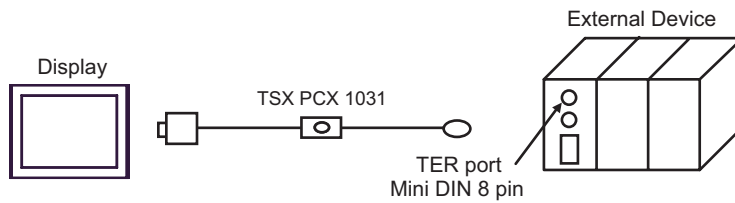
Cable Diagram 2

Display (Connection Port)	Cable	Notes
GP (COM1) IPC*1 PC/AT	Cable by Schneider Electric Industries TSX PCX 1031 (2.5m)*2	

\*1 Only the COM port which can communicate by RS-232C can be used.

☞ ■ COM Port of IPC (page 6)

\*2 Set the rotary switch to "3 (OTHER DIRECT)".



Cable Diagram 3

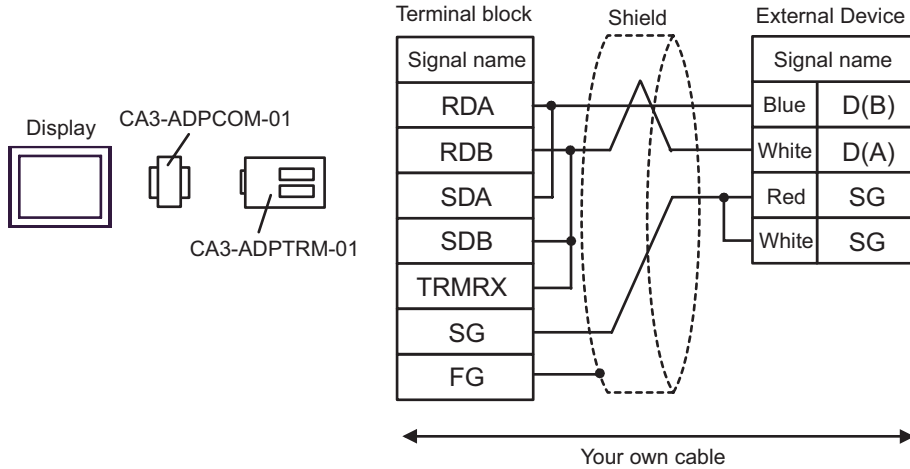
Display (Connection Port)	Cable		Notes
GP*1 (COM1) AGP-3302B (COM2)	A	COM port conversion adapter by Pro-face CA3-ADPCOM-01 + Connector terminal block conversion adapter by Pro-face CA3-ADPTRM-01 + Your own cable + Accessory box by Schneider Electric Industries TSX SCA 50	The cable length must be 10m or less.*2
	B	Your own cable + Accessory box by Schneider Electric Industries TSX SCA 50	
GP*3 (COM2)	C	Online adapter by Pro-face CA4-ADPONL-01 + Connector terminal block conversion adapter by Pro-face CA3-ADPTRM-01 + Your own cable + Accessory box by Schneider Electric Industries TSX SCA 50	
	D	Online adapter by Pro-face CA4-ADPONL-01 + Your own cable + Accessory box by Schneider Electric Industries TSX SCA 50	
IPC*4	E	COM port conversion adapter by Pro-face CA3-ADPCOM-01 + Connector terminal block conversion adapter by Pro-face CA3-ADPTRM-01 + Your own cable + Accessory box by Schneider Electric Industries TSX SCA 50	The cable length must be 10m or less.*3
	F	Your own cable + Accessory box by Schneider Electric Industries TSX SCA 50	

\*1 All GP models except AGP-3302B

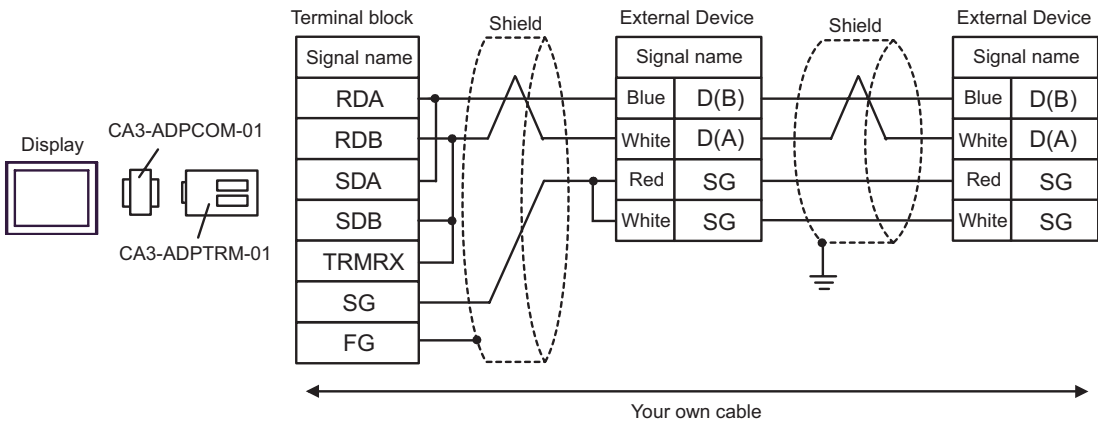
- \*2 Max length between the "GP" and the "Accessory Box connected to GP". Total cable length between accessory boxes must be 1000m or less.
- \*3 All GP models except GP-3200 series and AGP-3302B
- \*4 Only the COM port which can communicate by RS-422/485 (2 wire) can be used.
  - ☞ ■ COM Port of IPC (page 6)

A) When using the COM port conversion adapter (CA3-ADPCOM-01), the connector terminal block conversion adapter (CA3-ADPTRM-01) by Pro-face and the accessory box (TSX SCA 50) by Schneider Electric

- 1:1 Connection

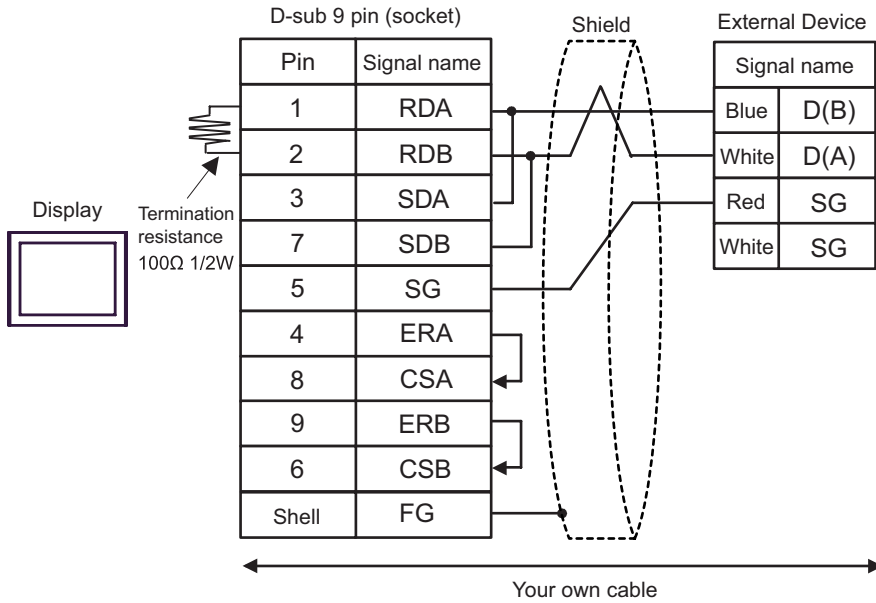


- 1:n Connection

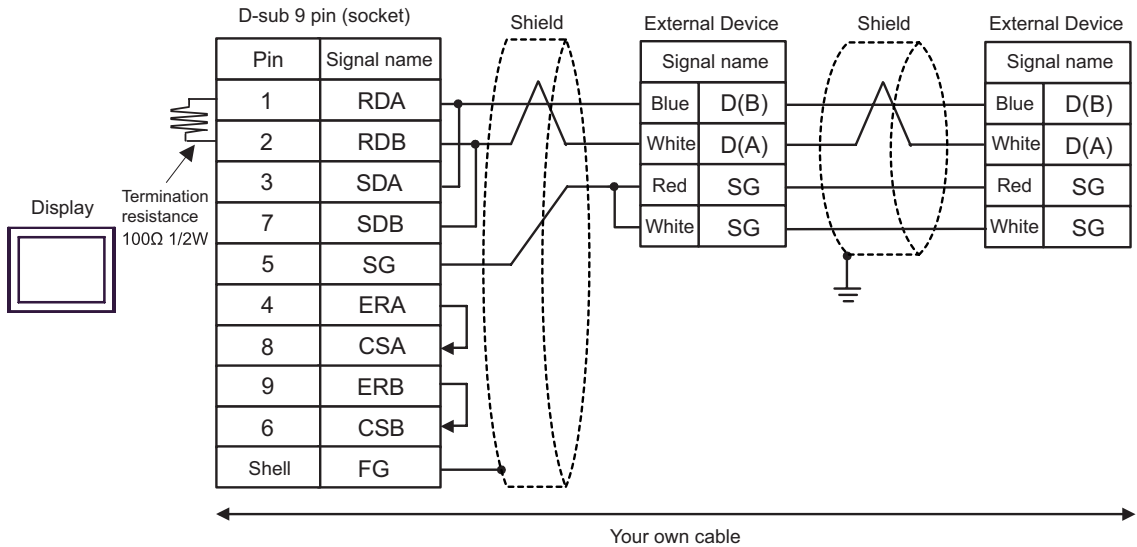


B) When using the accessory box (TSX SCA 50) by Schneider Electric and your own cable

- 1:1 Connection



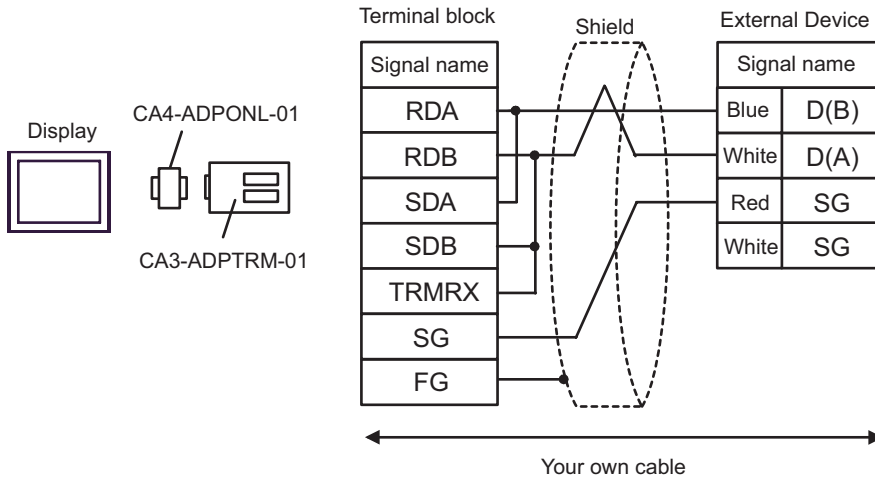
- 1:n Connection



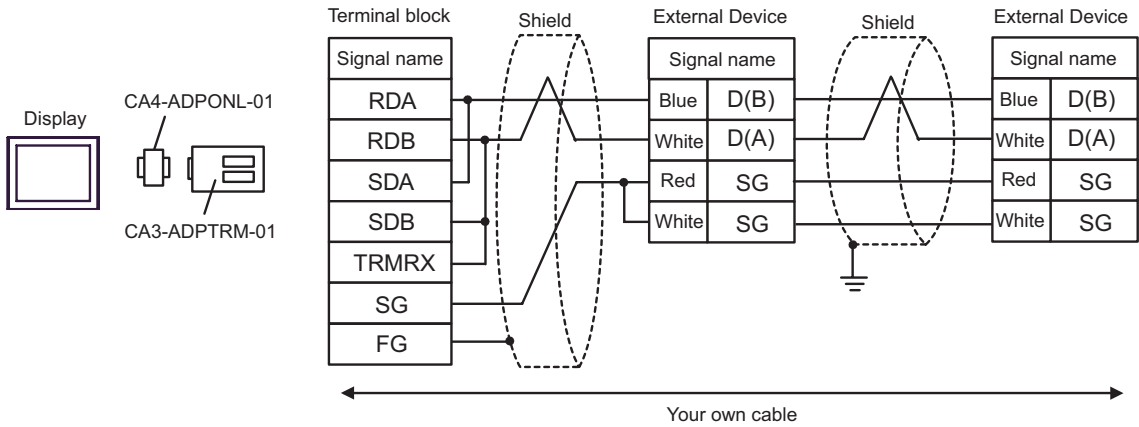


C) When using the online adapter (CA4-ADPONL-01), the connector terminal block conversion adapter (CA3-ADPTRM-01) by Pro-face, your own cable and the accessory box (TSX SCA 50) by Schneider Electric

• 1:1 Connection

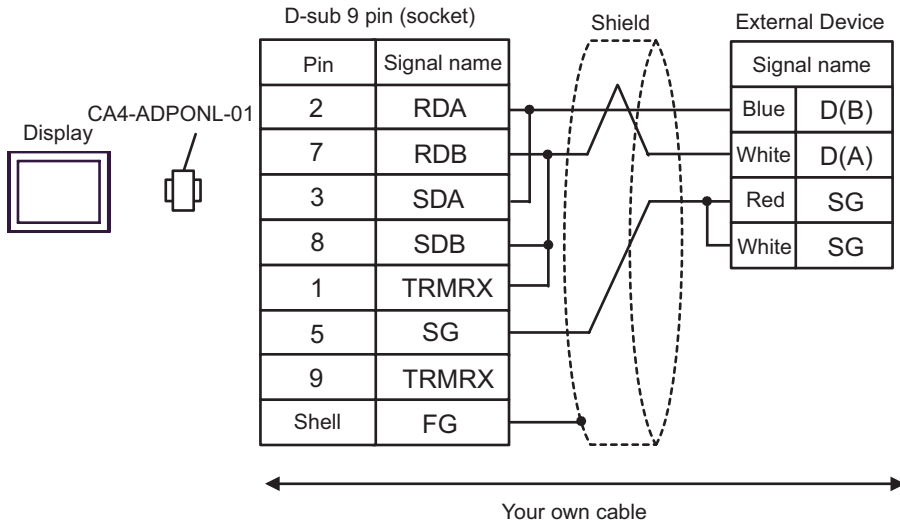


• 1:n Connection

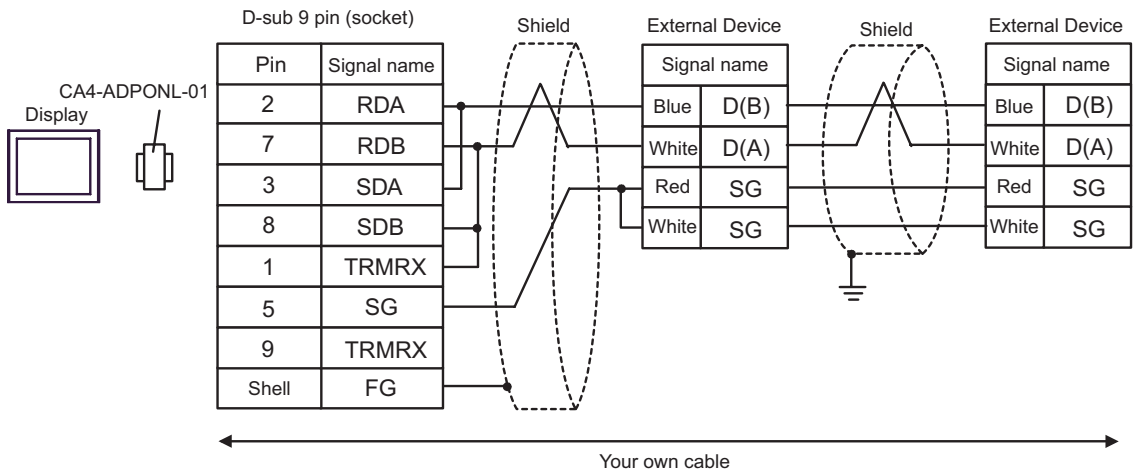


D) When using the online adapter (CA4-ADPONL-01) by Pro-face and the accessory box (TSX SCA 50) by Schneider Electric

- 1:1 Connection

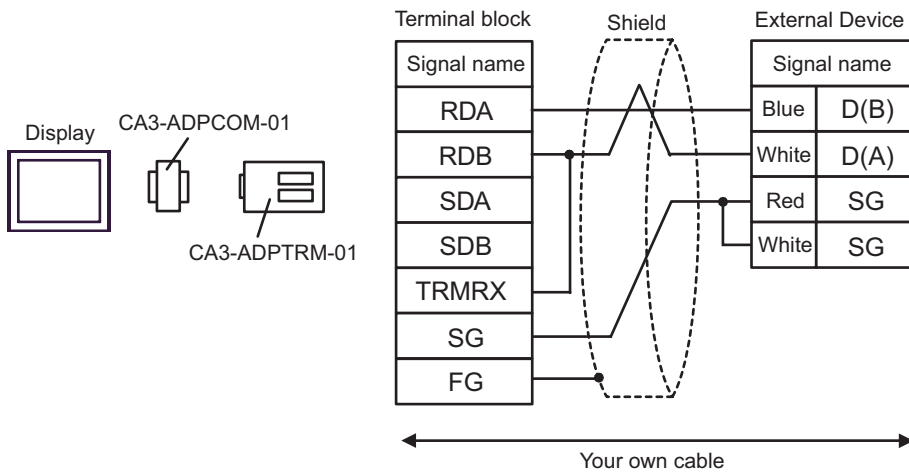


- 1:n Connection

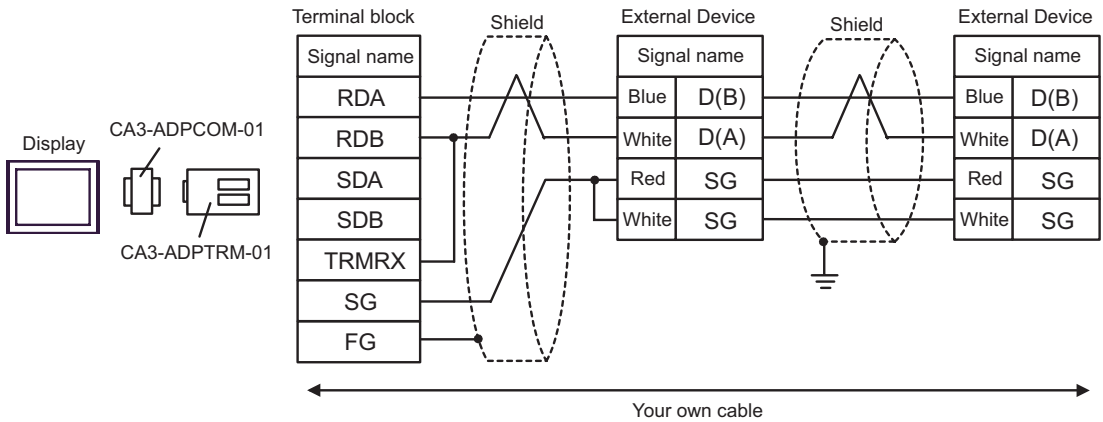


E) When using the COM port conversion adapter (CA3-ADPCOM-01), the connector terminal block conversion adapter (CA3-ADPTRM-01) by Pro-face and the accessory box (TSX SCA 50) by Schneider Electric

• 1:1 Connection

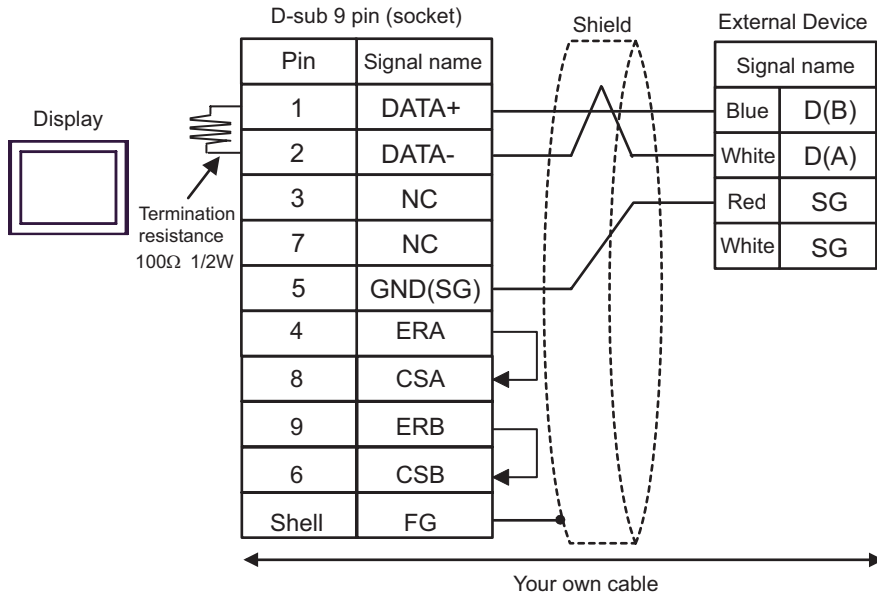


• 1:n Connection

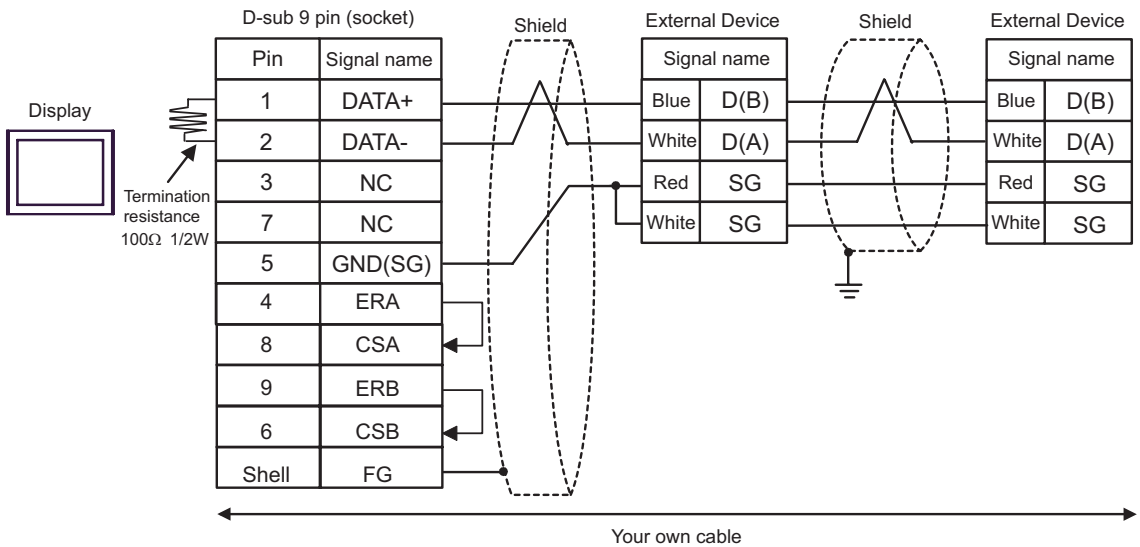


F) When using the accessory box (TSX SCA 50) by Schneider Electric and your own cable

- 1:1 Connection



- 1:n Connection



Cable Diagram 4

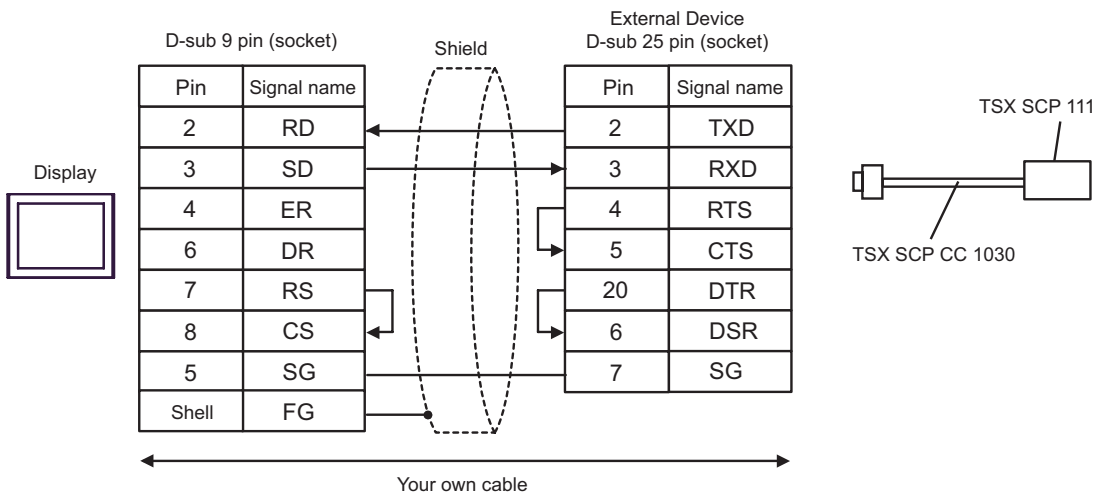
Display (Connection Port)	Cable	Notes
GP (COM1) IPC* <sup>1</sup> PC/AT	Your own cable + RS 232 D tap link cable by Schneider Electric TSX SCP CC 1030 (3m) + PCMCIA card for RS232C by Schneider Electric TSX SCP 111	The cable length must be 15m or less. * <sup>2</sup>

\*1 Only the COM port which can communicate by RS-232C can be used.

☞ ■ COM Port of IPC (page 6)

\*2 Total length for TSX SCP CC 1030 and your own cable.

When using your own cable, the RS 232 D tapLink cable (TSX SCP CC 1030) by Schneider Electric and the PCMCIA card (TSX SCP 111) for RS232C by Schneider Electric




Cable Diagram 5

Display (Connection Port)	Cable	Notes
GP*1 (COM1) AGP-3302B (COM2)	<p style="text-align: center;">A</p> <p style="text-align: center;">COM port conversion adapter by Pro-face CA3-ADPCOM-01 + Connector terminal block conversion adapter by Pro-face CA3-ADPTRM-01 + Your own cable + Uni-Telway cable by Schneider Electric Industries TSX SCP CU 4030 (3m) + PCMCIA card for RS485 by Schneider Electric Industries TSX SCP 114</p>	
	<p style="text-align: center;">B</p> <p style="text-align: center;">Your own cable + Uni-Telway cable by Schneider Electric Industries TSX SCP CU 4030 (3m) + PCMCIA card for RS485 by Schneider Electric Industries TSX SCP 114</p>	
GP*2 (COM2)	<p style="text-align: center;">C</p> <p style="text-align: center;">Online adapter by Pro-face CA3-ADPONL-01 + Connector terminal block conversion adapter by Pro-face CA3-ADPTRM-01 + Your own cable + Uni-Telway cable by Schneider Electric Industries TSX SCP CU 4030 (3m) + PCMCIA card for RS485 by Schneider Electric Industries TSX SCP 114</p>	
	<p style="text-align: center;">D</p> <p style="text-align: center;">Online adapter by Pro-face CA4-ADPONL-01 + Your own cable + Uni-Telway cable by Schneider Electric Industries TSX SCP CU 4030 (3m) + PCMCIA card for RS485 by Schneider Electric Industries TSX SCP 114</p>	

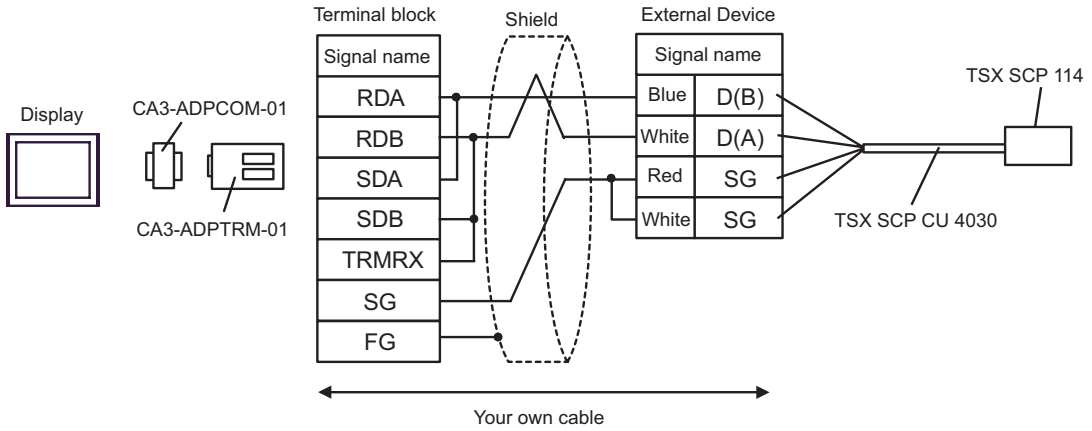
Display (Connection Port)	Cable		Notes
IPC*3	E	COM port conversion adapter by Pro-face CA3-ADPCOM-01 + Connector terminal block conversion adapter by Pro-face CA3-ADPTRM-01 + Your own cable + Uni-Telway cable by Schneider Electric Industries TSX SCP CU 4030 (3m) + PCMCIA card for RS485 by Schneider Electric Industries TSX SCP 114	
	F	Your own cable + Uni-Telway cable by Schneider Electric Industries TSX SCP CU 4030 (3m) + PCMCIA card for RS485 by Schneider Electric Industries TSX SCP 114	

\*1 All GP models except AGP-3302B

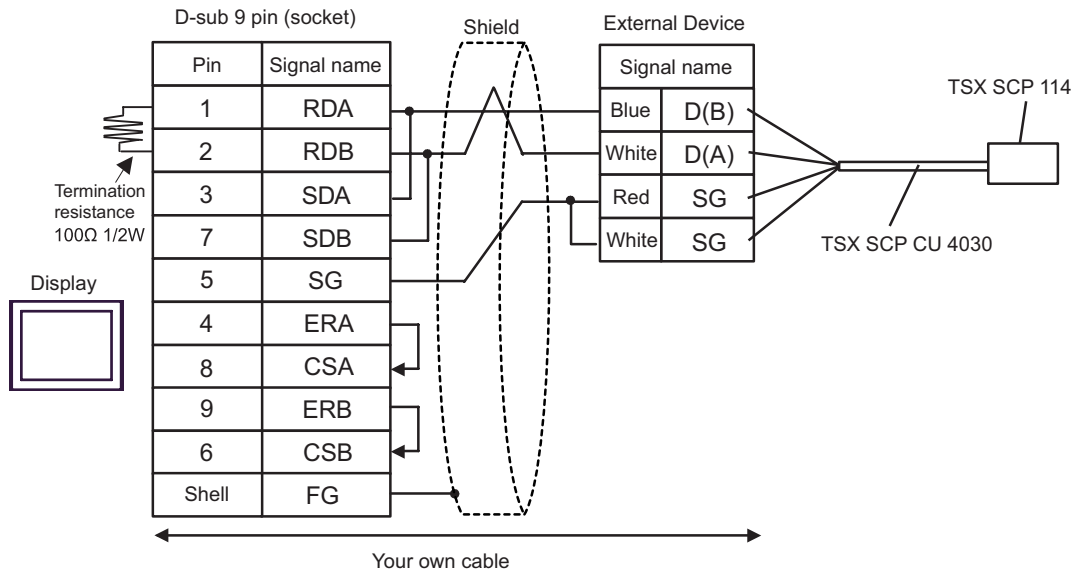
\*2 All GP models except GP-3200 series and AGP-3302B

\*3 Only the COM port which can communicate by RS-422/485 (2 wire) can be used.  
 ■ COM Port of IPC (page 6)

- A) When using the COM port conversion adapter (CA3-ADPCOM-01), the connector terminal block conversion adapter (CA3-ADPTRM-01) by Pro-face, the Uni-Telway connection cable (TSX SCP CU 4030) and the PCMCIA card for RS485 (TSX SCP 114) by Schneider Electric

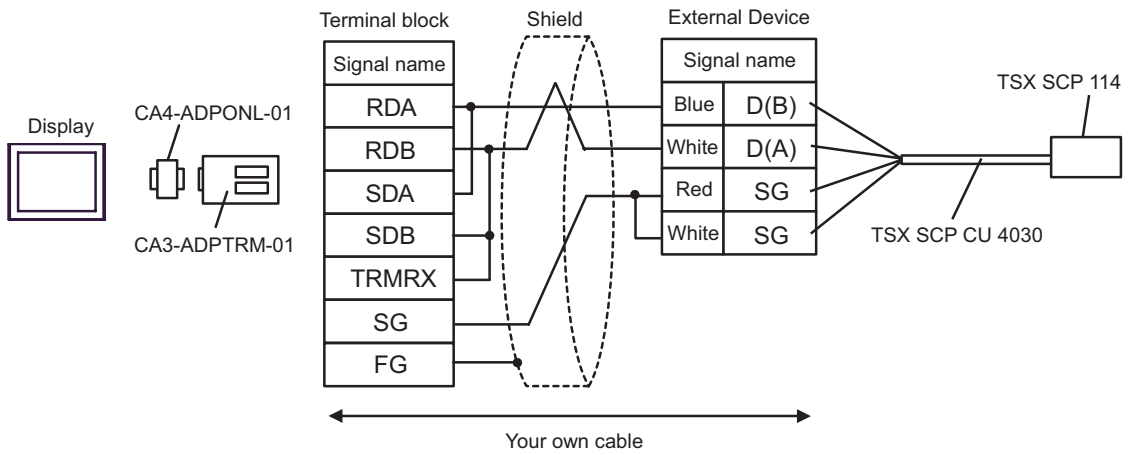


- B) When using your own cable, the Uni-Telway connection cable (TSX SCP CU 4030) and the PCMCIA card for RS485 (TSX SCP 114) by Schneider Electric

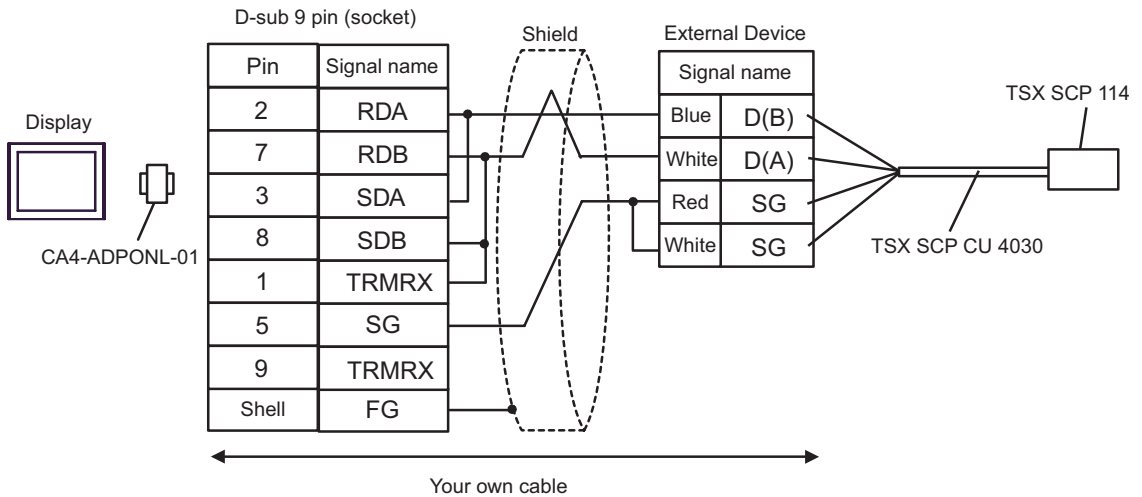




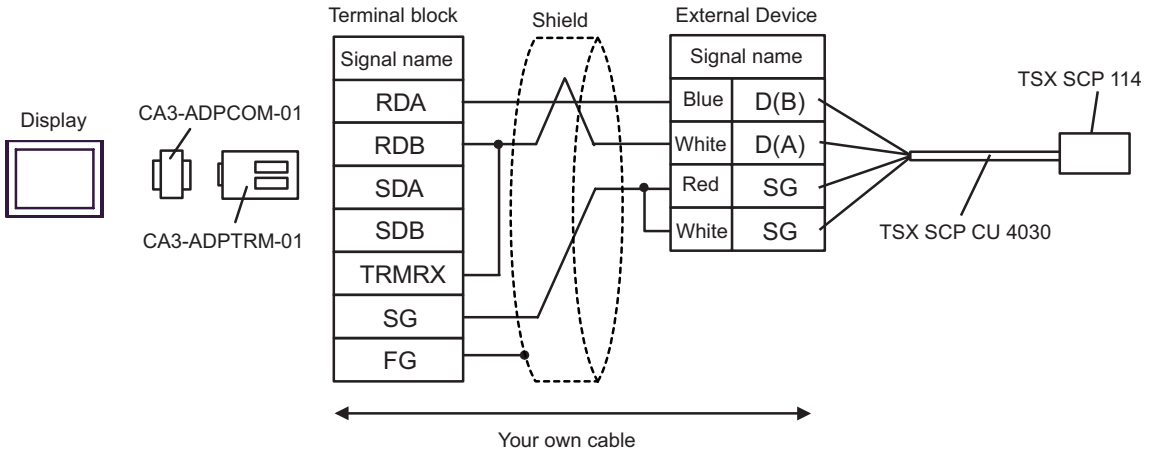
C) When using the online adapter (CA4-ADPONL-01), the connector terminal block conversion adapter (CA3-ADPTRM-01) by Pro-face, the Uni-Telway connection cable (TSX SCP CU 4030) and the PCMCIA card for RS485 (TSX SCP 114) by Schneider Electric



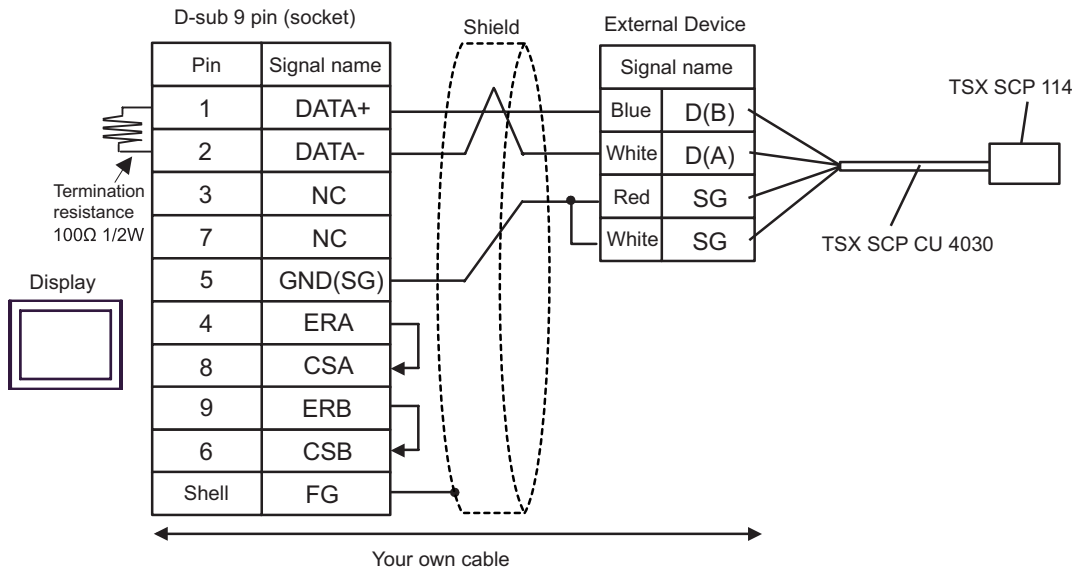
D) When using the online adapter (CA4-ADPONL-01) by Pro-face, your own cable, the Uni-Telway connection cable (TSX SCP CU 4030) and the PCMCIA card for RS485 (TSX SCP 114) by Schneider Electric



- E) When using the COM port conversion adapter (CA3-ADPCOM-01), the connector terminal block conversion adapter (CA3-ADPTRM-01) by Pro-face, the Uni-Telway connection cable (TSX SCP CU 4030) and the PCMCIA card for RS485 (TSX SCP 114) by Schneider Electric



- F) When using your own cable, the Uni-Telway connection cable (TSX SCP CU 4030) and the PCMCIA card for RS485 (TSX SCP 114) by Schneider Electric

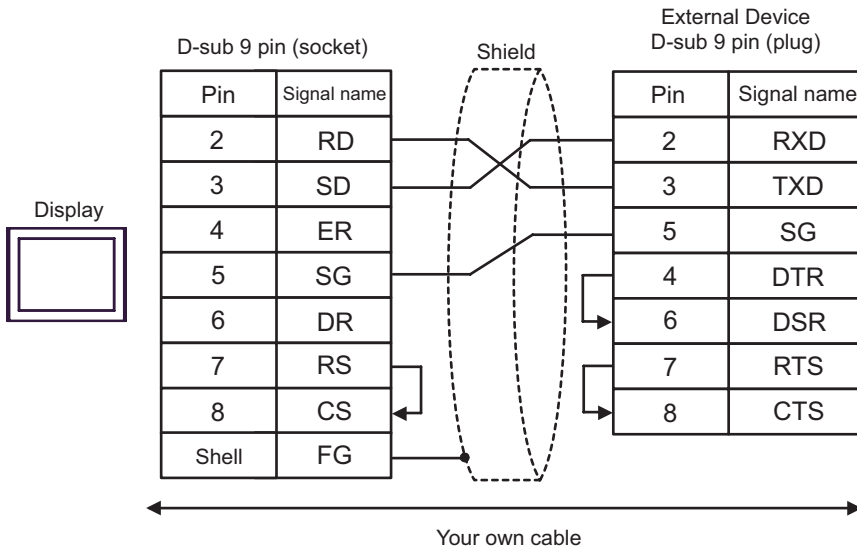


Cable Diagram 6

Display (Connection Port)	Cable	Notes
GP (COM1) IPC*1 PC/AT	Your own cable	The cable length must be 15m or less.

\*1 Only the COM port which can communicate by RS-232C can be used.

☞ ■ COM Port of IPC (page 6)

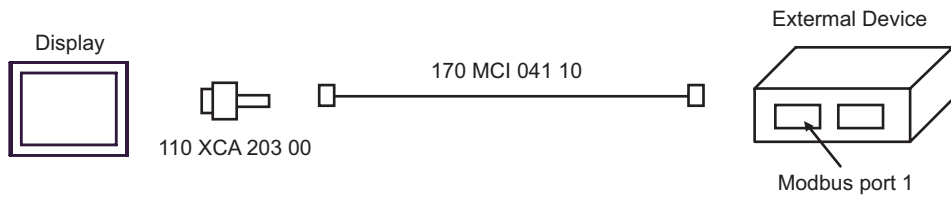


Cable Diagram 7

Display (Connection Port)	Cable	Notes
GP (COM1) IPC*1 PC/AT	D-Shell adapter by Schneider Electric 110 XCA 203 00 + Modbus RS485 (RJ45/RJ45) Master Communication cable by Schneider Electric  170 MCI 041 10 (0.3m)	The cable length must be 9.5m or less.

\*1 Only the COM port which can communicate by RS-232C can be used.

☞ ■ COM Port of IPC (page 6)




Cable Diagram 8

Display (Connection Port)	Cable		Notes
GP*1 (COM1) AGP-3302B (COM2) IPC*2	A	COM port conversion adapter (for COM1) by Pro-face CA3-ADPCOM-01 + Connector terminal block conversion adapter by Pro-face CA3-ADPTRM-01 + Your own cable	The cable length must be 500m or less.
	B	Your own cable	
GP*3 (COM2)	C	Online adapter by Pro-face CA4-ADPONL-01 + Connector terminal block conversion adapter by Pro-face CA3-ADPTRM-01 + Your own cable	
	D	Online adapter by Pro-face CA4-ADPONL-01 + Your own cable	

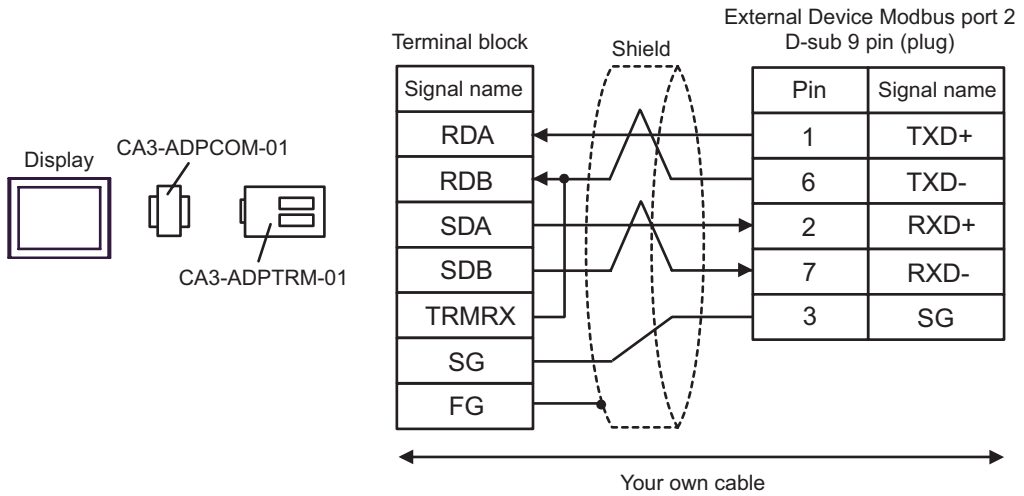
\*1 All GP models except AGP-3302B

\*2 Only the COM port which can communicate by RS-422/485 (4 wire) can be used.

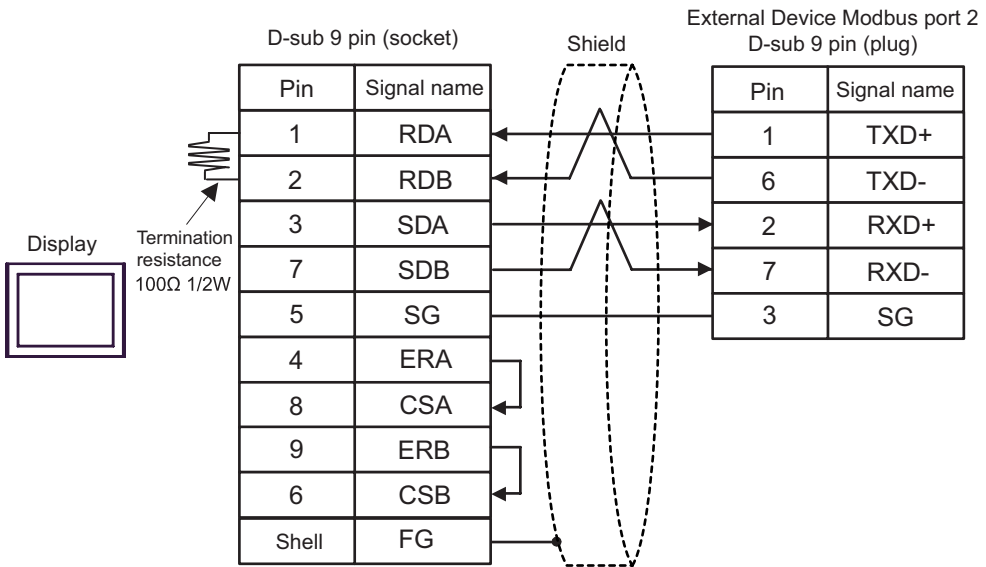
 ■ COM Port of IPC (page 6)

\*3 All GP models except GP-3200 series and AGP-3302B

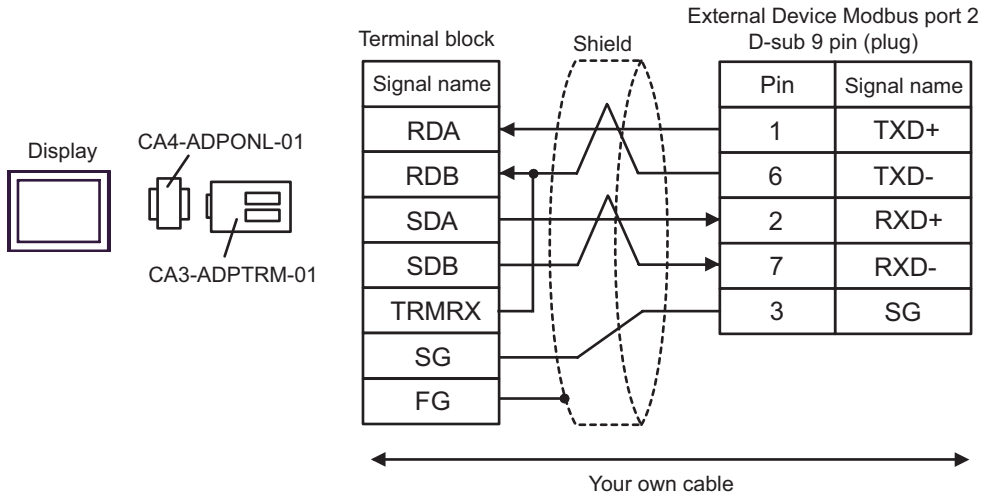
A) When using the COM port conversion adapter (CA3-ADPCOM-01), the connector terminal block conversion adapter (CA3-ADPTRM-01) by Pro-face and your own cable



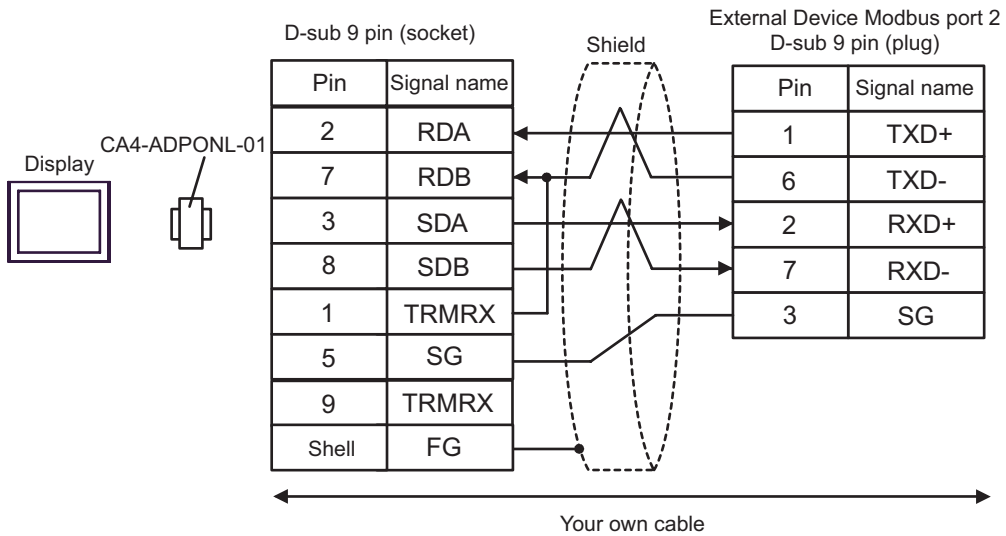
B) When using your own cable



C) When using the online adapter (CA4-ADPONL-01), the connector terminal block conversion adapter (CA3-ADPTRM-01) by Pro-face and your own cable

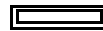


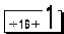

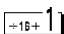



D) When using the online adapter (CA4-ADPONL-01) by Pro-face and your own cable



## 6 Supported Device

Range of supported device address is shown in the table below. Please note that the actually supported range of the devices varies depending on the External Device to be used. Please check the actual range in the manual of your connecting equipment.

 This address can be specified as system data area.


Device	Bit Address	Word Address	32 bits	Notes
Coil	000001 - 065536	000001 - 065521		
Discrete Input	100001 - 165536	100001 - 165521		 *2
Input Register	-----	300001 - 365536	or	 *2
Holding Register	400001,00 - 465536,15*3	400001 - 465536	 *1	

\*1 High and low relationship of the stored data is specified by the [Double Word word order] setting of [Device Setting].

"4.1 Setup Items in GP-Pro EX" (page 29)

\*2 Write disable

\*3 An access method at the time of Bit Set varies depending on the [Rest of the bits in this word] setting of [Device Setting].

- Clear..... 

- Do not clear .... 400001,00 - 465536,15

### ■ Supported Function Code

Below is the list of Supported Function Code.

Function Code (Hex)	Description
FC01 (0x01)	Reads the ON/OFF status of coils (0X references) in the slave.
FC02 (0x02)	Reads the ON/OFF status of discrete inputs (1X references) in the slave.
FC03 (0x03)	Reads the binary content of holding registers (4X references) in the slave.
FC04 (0x04)	Reads the binary content of input registers (3X references) in the slave.
FC05 (0x05)	Forces a single coil (0X references) to either ON or OFF
FC06 (0x06)	Presets a value into a single holding register (4X references).
FC15 (0x0F)	Forces each coil (0X references) in a sequence of coils to either ON or OFF.
FC16 (0x10)	Presets values into a sequence of holding registers (4X references).

**NOTE** • FC15 / FC16 will be used for writing. In case if the connected controller do not support these function codes, then FC05 / FC06 will be used.



## ■ IEC61131 address syntax


The following table gives the equivalences between the Modbus syntax and the IEC61131 syntax.

Device	Modbus address syntax			IEC61131syntax				
	Format	Range	First element	Format	0-based		1-based	
					Range	First element	Range	First element
Coil	000001+i	i=0 to 65535	000001	%Mi	i=0 to 65535	%M00000	i=1 to 65536	%M00001
Discrete Input	100001+i	i=0 to 65535	100001	-	-	-	-	-
Input register (word)	300001+i	i=0 to 65535	300001	-	-	-	-	-
Input register (word bit)	300001+i,j	i=0 to 65535 j=0 to15	300001,00	-	-	-	-	-
Holding register (word)	400001+i	i=0 to 65535	400001	%MWi	i=0 to 65535	%MW00000	i=1 to 65536	%MW00001
Holding register (word bit)	400001+i,j	i=0 to 65535 j=0 to15	400001,00	%MWi: Xj	i=0 to 65535 j=0 to 15	%MW00000: X00	i=1 to 65535 j=0 to15	%MW00001 :X00

### NOTE

- The two areas 100000 and 300000 are not accessible with the IEC syntax.
- Once you change the project which you have setup Discrete Input Register to IEC 61131 Syntax, the address will be undefined.

### NOTE

- Please refer to the GP-Pro EX Reference Manual for system data area.  
Cf. GP-Pro EX Reference Manual "Appendix 1.4 LS Area (only for direct access method)"
- Please refer to the precautions on manual notation for icons in the table.  
 "Manual Symbols and Terminology"

## 7 Device Code and Address Code

Use device code and address code when you select "Device Type & Address" for the address type in data displays.

Device	Device Name	Device Code (HEX)	Address Code
Coil	0	0080	Value of (word address - 1) divided by 16
Discrete Input	1	0081	Value of (word address - 1) divided by 16
Input Register	3	0001	Value of word address from which 1 is deducted
Holding Register	4	0000	Value of word address from which 1 is deducted

## 8 Error Messages

Error messages are displayed on the screen of Display as follows: "No. : Device Name: Error Message (Error Occurrence Area)". Each description is shown below.

Item	Description
No.	Error No.
Device Name	Name of External Device where error occurs. Device name is a title of External Device set with GP-Pro EX. (Initial value [PLC1])
Error Message	Displays messages related to the error which occurs.
Error Occurrence Area	Displays IP address or device address of External Device where error occurs, or error codes received from External Device. <b>NOTE</b> <ul style="list-style-type: none"> <li>• IP address is displayed such as "IP address(Decimal): MAC address( Hex)".</li> <li>• Device address is displayed such as "Address: Device address".</li> <li>• Received error codes are displayed such as "Decimal[Hex]".</li> </ul>

Display Examples of Error Messages

"RHAA035: PLC1: Error has been responded for device write command (Error Code: 2 [02])"

**NOTE**

- Please refer to the manual of External Device for more detail of received error codes.
- Please refer to "When an error message is displayed (Error code list)" of "Maintenance/Troubleshooting" for a common error message to the driver.

