



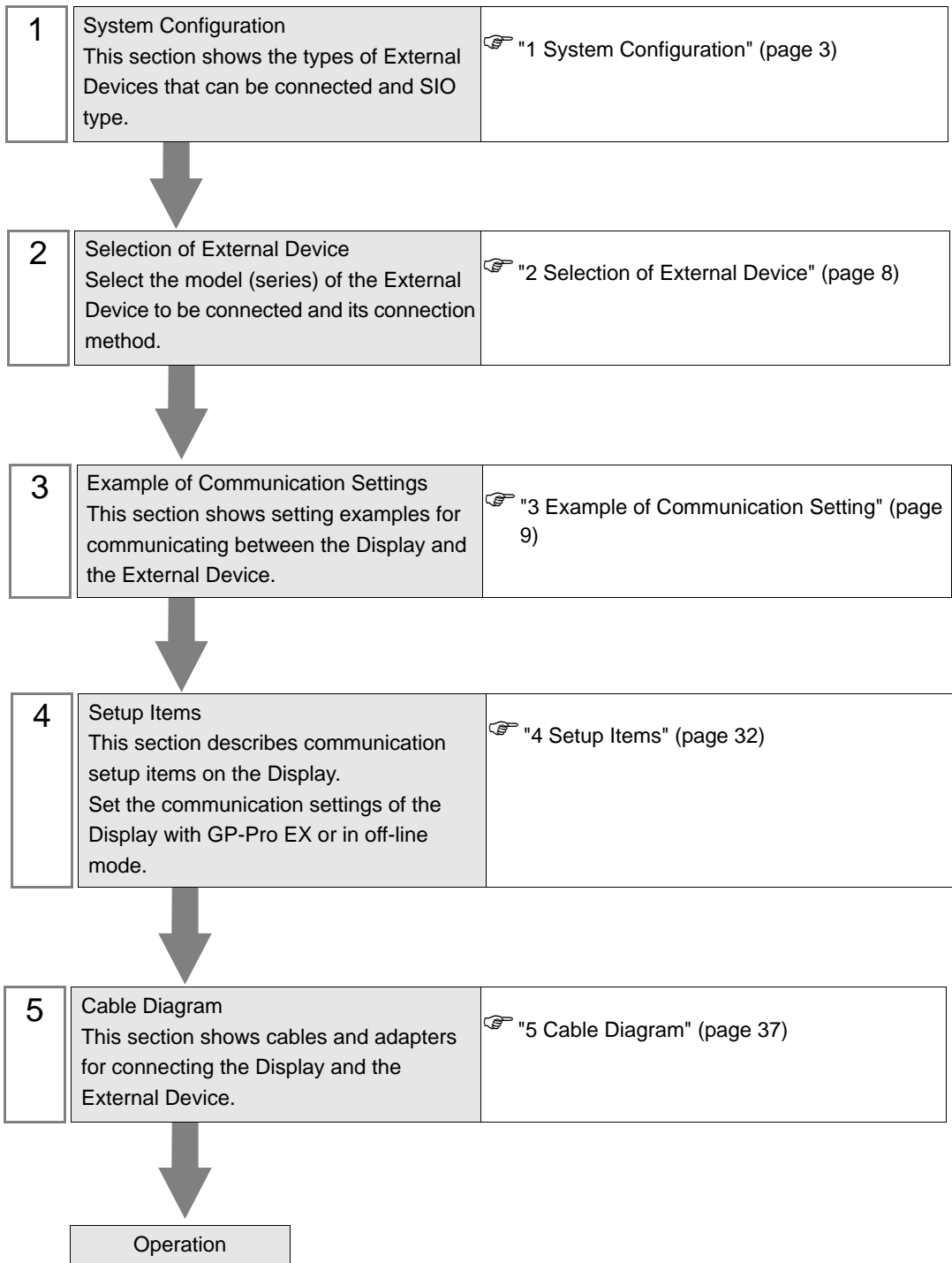
# FB Series SIO Driver

1	System Configuration.....	3
2	Selection of External Device .....	8
3	Example of Communication Setting.....	9
4	Setup Items.....	32
5	Cable Diagram .....	37
6	Supported Devices.....	63
7	Device Code and Address Code.....	65
8	Error Messages.....	66

## Introduction

This manual describes how to connect the Display and the External Device.

In this manual, the connection procedure will be described by following the sections below:



# 1 System Configuration

The following shows the system configuration where the External Device of FATEK AUTOMATION Corporation and the Display are connected.

Series	CPU	Link I/F		SIO Type	Setting Example	Cable Diagram
FBs*1	FBs-10MA/MC FBs-14MA/MC FBs-20MA/MC FBs-24MA/MC FBs-32MA/MC FBs-40MA/MC FBs-60MA/MC FBs-20MN FBs-32MN FBs-44MN	CPU unit*2	Port 0	RS232C	Setting Example 1 (page 9)	Cable Diagram 1 (page 37)
		FBs-CB2	Port 2	RS232C	Setting Example 2 (page 10)	Cable Diagram 2 (page 38)
		FBs-CB22	Port 1	RS232C	Setting Example 3 (page 12)	Cable Diagram 2 (page 38)
			Port 2	RS232C	Setting Example 2 (page 10)	
		FBs-CB25	Port 1	RS232C	Setting Example 3 (page 12)	Cable Diagram 2 (page 38)
			Port 2	RS422/485 (2wire)	Setting Example 4 (page 14)	Cable Diagram 4 (page 39)
		FBs-CB5	Port 2	RS422/485 (2wire)	Setting Example 4 (page 14)	Cable Diagram 4 (page 39)
		FBs-CB55	Port 1	RS422/485 (2wire)	Setting Example 5 (page 16)	Cable Diagram 4 (page 39)
			Port 2	RS422/485 (2wire)	Setting Example 4 (page 14)	
		FBs-CM22	Port 3	RS232C	Setting Example 6 (page 18)	Cable Diagram 3 (page 38)
			Port 4	RS232C	Setting Example 7 (page 20)	
		FBs-CM25	Port 3	RS232C	Setting Example 6 (page 18)	Cable Diagram 3 (page 38)
			Port 4	RS422/485 (2wire)	Setting Example 9 (page 24)	Cable Diagram 4 (page 39)

Series	CPU	Link I/F		SIO Type	Setting Example	Cable Diagram		
FBs*1	FBs-10MA/MC FBs-14MA/MC FBs-20MA/MC FBs-24MA/MC FBs-32MA/MC FBs-40MA/MC FBs-60MA/MC FBs-20MN FBs-32MN FBs-44MN	FBs-CM25E	Port 3	RS232C	Setting Example 6 (page 18)	Cable Diagram 3 (page 38)		
			Port 4	RS422/485 (2wire)	Setting Example 9 (page 24)	Cable Diagram 4 (page 39)		
		FBs-CM55	Port 3	RS422/485 (2wire)	Setting Example 8 (page 22)	Cable Diagram 4 (page 39)		
			Port 4	RS422/485 (2wire)	Setting Example 9 (page 24)			
		FBs-CM55E	Port 3	RS422/485 (2wire)	Setting Example 8 (page 22)	Cable Diagram 4 (page 39)		
			Port 4	RS422/485 (2wire)	Setting Example 9 (page 24)			
		FBe/FBn*1	FBe-20MA FBe-28MA FBe-40MA	CPU unit	Port 0	RS232C	Setting Example 11 (page 27)	Cable Diagram 5 (page 46)
						RS422/485 (2wire)	Setting Example 10 (page 26)	Cable Diagram 6 (page 47)
FBe-20MC FBe-28MC FBe-40MC FBn-19MCT FBn-26MCT FBn-36MCT	CPU unit		Port 0	RS232C	Setting Example 11 (page 27)	Cable Diagram 5 (page 46)		
				RS422/485 (2wire)	Setting Example 10 (page 26)	Cable Diagram 6 (page 47)		
			Port 1	RS232C	Setting Example 12 (page 28)	Cable Diagram 7 (page 54)		
			Port 2	RS422/485 (2wire)	Setting Example 13 (page 30)	Cable Diagram 8 (page 55)		
	FB-DTBR		Port 0	RS232C	Setting Example 11 (page 27)	Cable Diagram 3 (page 38)		
			Port 1	RS232C	Setting Example 12 (page 28)	Cable Diagram 9 (page 62)		
Port 2			RS422/485 (2wire)	Setting Example 13 (page 30)	Cable Diagram 6 (page 47)			

Series	CPU	Link I/F		SIO Type	Setting Example	Cable Diagram
FBe/FBn *1	FBe-20MC FBe-28MC FBe-40MC FBn-19MCT FBn-26MCT FBn-36MCT	FB-DTBR-E	Port 0	RS232C	Setting Example 11 (page 27)	Cable Diagram 3 (page 38)
			Port 2	RS422/485 (2wire)	Setting Example 13 (page 30)	Cable Diagram 6 (page 47)

\*1 Set the software's interface to "Standard Interface". Refer to your External Device manual for the correct settings.

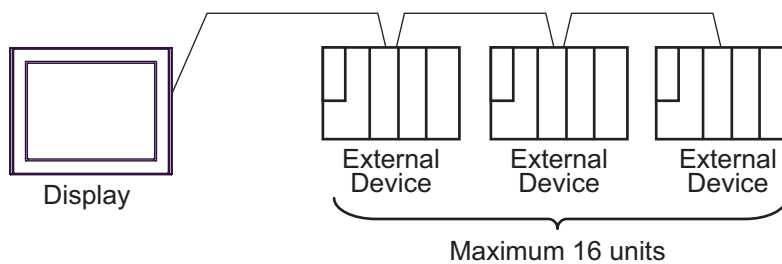
\*2 Available only with a CPU incorporating an RS232 port.

### ■ Connection Configuration

- 1:1 Connection



- 1:n Connection



## ■ COM Port on IPC

When the External Device is connected to the IPC, the COM port available depends on the series and SIO type.

Refer to your IPC manual for details.

### Usable Port

Series	Usable Port		
	RS-232C	RS-422/485 (4wire)	RS-422/485 (2wire)
PS-2000B	COM1 <sup>*1</sup> , COM2, COM3 <sup>*1</sup> , COM4	-	-
PS-3450A, PS-3451A	COM1, COM2 <sup>*1*2</sup>	COM2 <sup>*1*2</sup>	COM2 <sup>*1*2</sup>
PS-3650A, PS-3651A	COM1 <sup>*1</sup>	-	-
PS-3700A (Pentium® 4-M) PS-3710A	COM1 <sup>*1</sup> , COM2 <sup>*1</sup> , COM3 <sup>*2</sup> , COM4	COM3 <sup>*2</sup>	COM3 <sup>*2</sup>
PS-3711A	COM1 <sup>*1</sup> , COM2 <sup>*2</sup>	COM2 <sup>*2</sup>	COM2 <sup>*2</sup>
PL-3000B	COM1 <sup>*1*2</sup> , COM2 <sup>*1</sup> , COM3, COM4	COM1 <sup>*1*2</sup>	COM1 <sup>*1*2</sup>

\*1 You can switch between RI and 5V. Use the selector switch on the IPC for switching.

\*2 You need to set the SIO type using the DIP switches. Configure the following settings according to your SIO type.

### DIP Switch Setting: RS-232C

DIP Switch	Setting	Setup Description
1	OFF <sup>*1</sup>	Reserved (always OFF)
2	OFF	SIO type: RS-232C
3	OFF	
4	OFF	Output mode of SD (TXD): Always output
5	OFF	Termination resistor (220) inserted into SD (TXD): None
6	OFF	Termination resistor (220) inserted into RD (RXD): None
7	OFF	Short-circuit of SDA (TXA) and RDA (RXA): Disabled
8	OFF	Short-circuit of SDB (TXB) and RDB (RXB): Disabled
9	OFF	RS (RTS) Auto control mode: Disabled
10	OFF	

\*1 Set this to ON only when PS-3450A or PS-3451A is used.

## DIP Switch Setting: RS-422/485 (4wire)

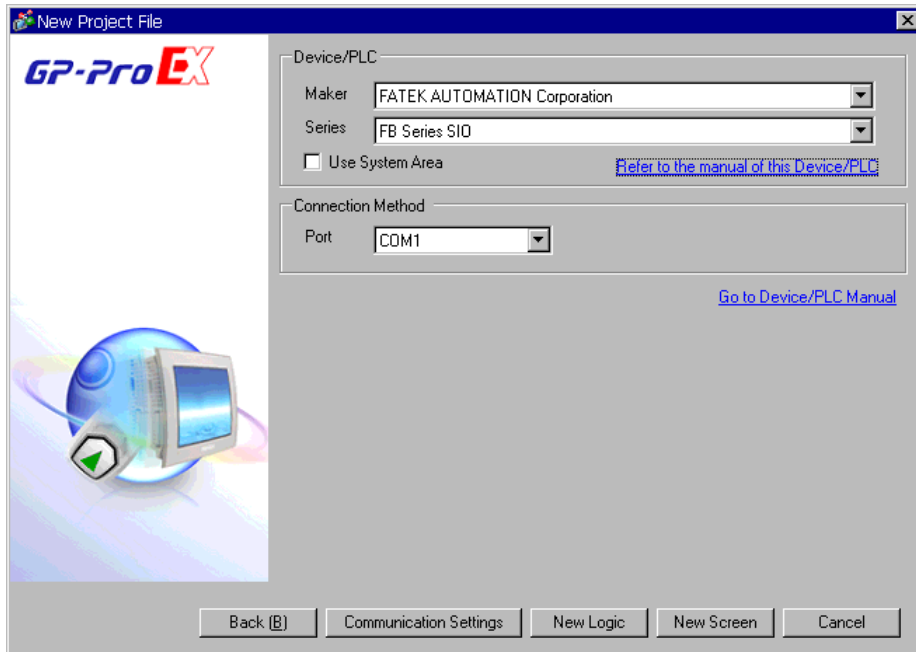
DIP Switch	Setting	Setup Description
1	OFF	Reserved (always OFF)
2	ON	SIO type: RS-422/485
3	ON	
4	OFF	Output mode of SD (TXD): Always output
5	OFF	Termination resistor (220Ω) inserted into SD (TXD): None
6	OFF	Termination resistor (220Ω) inserted into RD (RXD): None
7	OFF	Short-circuit of SDA (TXA) and RDA (RXA): Disabled
8	OFF	Short-circuit of SDB (TXB) and RDB (RXB): Disabled
9	OFF	RS (RTS) Auto control mode: Disabled
10	OFF	


## DIP Switch Setting: RS-422/485 (2wire)

DIP Switch	Setting	Setup Description
1	OFF	Reserved (always OFF)
2	ON	SIO type: RS-422/485
3	ON	
4	OFF	Output mode of SD (TXD): Always output
5	OFF	Termination resistor (220Ω) inserted into SD (TXD): None
6	OFF	Termination resistor (220Ω) inserted into RD (RXD): None
7	ON	Short-circuit of SDA (TXA) and RDA (RXA): Enabled
8	ON	Short-circuit of SDB (TXB) and RDB (RXB): Enabled
9	ON	RS (RTS) Auto control mode: Enabled
10	ON	

## 2 Selection of External Device

Select the External Device to be connected to the Display.



Setup Items	Setup Description
Maker	Select the maker of the External Device to be connected. Select "FATEK AUTOMATION Corporation".
Series	Select the model (series) of the External Device to be connected and its connection method. Select "FB Series SIO". Check the External Device that can be connected in "FB Series SIO" in system configuration.  "1 System Configuration" (page 3)
Use System Area	Check this option to synchronize the system data area of the Display and the device (memory) of the External Device. When they are synchronized, you can use the ladder program of the External Device to switch the display or to display a window on the Display. Cf. GP-Pro EX Reference Manual "Appendix 1.4 LS Area (only for direct access method)" This can also be set with GP-Pro EX or in off-line mode of the Display. Cf. GP-Pro EX Reference Manual "5.14.6 Setting Guide of [System Setting Window], Setting Guide of [Main Unit Settings], System Area Setting" Cf. Maintenance/Troubleshooting Manual "2.14.1 Common to the Display", Setting Guide of [Main Unit Settings], System Area Setting
Port	Select the port of the Display to be connected to the External Device.



## 3 Example of Communication Setting

The following shows examples of communication settings for the Display and the External Device, which are recommended by Pro-face.

### 3.1 Setting Example 1

#### ■ Settings of GP-Pro EX

##### ◆ Communication Settings

To display the setting screen, select [Device/PLC Settings] from [System setting window] in the workspace.

Device/PLC 1

Summary [Change Device/PLC](#)

Maker: FATEK AUTOMATION Corporation Series: FB Series SIO Port: COM1

Text Data Mode: 1 [Change](#)

Communication Settings

SIO Type:  RS232C  RS422/485(2wire)  RS422/485(4wire)

Speed: 9600

Data Length:  7  8

Parity:  NONE  EVEN  ODD

Stop Bit:  1  2

Flow Control:  NONE  ER(DTR/CTS)  XON/XOFF

Timeout: 3 (sec)

Retry: 2

Wait To Send: 0 (ms)

RI / VCC:  RI  VCC

In the case of RS232C, you can select the 9th pin to RI (Input) or VCC (5V Power Supply). If you use the Digital's RS232C Isolation Unit, please select it to VCC.

Default

Device-Specific Settings

Allowable Number of Devices/PLCs: 16

Number	Device Name	Settings
1	PLC1	Station No.=1

##### ◆ Device Setting

To display the setting screen, click ([Setting]) of the External Device you want to set from [Device-Specific Settings] of [Device/PLC Settings].

To connect multiple External Devices, click from [Device-Specific Settings] of [Device/PLC Settings] to add External Devices.

Individual Device Settings

PLC1

Station No. 1

Default

OK (O) Cancel

#### ■ Settings of External Device

The communication setting is fixed.


## 3.2 Setting Example 2


### ■ Settings of GP-Pro EX

#### ◆ Communication Settings

To display the setting screen, select [Device/PLC Settings] from [System setting window] in the workspace.

#### ◆ Device Setting

To display the setting screen, click  ([Setting]) of the External Device you want to set from [Device-Specific Settings] of [Device/PLC Settings].

To connect multiple External Devices, click  from [Device-Specific Settings] of [Device/PLC Settings] to add External Devices.

## ■ Settings of External Device

Use the ladder software (WinProladder) for communication settings. After completing the settings, reboot the External Device to enable them. Refer to your External Device manual for details.

- 1 Start up the ladder software (WinProladder).
- 2 Select [Setting] - [Port 2 Parameter] from the [PLC] menu.
- 3 In the [Comm. Parameter Setting] dialog box, set the following parameters.

Item	Settings
Baud Rate	9,600
Parity	Even parity
Data Bit	7 bits
Stop Bit	1 bit

- 4 Click [OK] to complete the port settings.

### 3.3 Setting Example 3

#### ■ Settings of GP-Pro EX

##### ◆ Communication Settings

To display the setting screen, select [Device/PLC Settings] from [System setting window] in the workspace.

Device/PLC 1

Summary [Change Device/PLC](#)

Maker  Series  Port

Text Data Mode  [Change](#)

Communication Settings

SIO Type  RS232C  RS422/485(2wire)  RS422/485(4wire)

Speed

Data Length  7  8

Parity  NONE  EVEN  ODD

Stop Bit  1  2

Flow Control  NONE  ER(DTR/CTS)  XON/XOFF

Timeout  (sec)

Retry

Wait To Send  (ms)

RI / VCC  RI  VCC

In the case of RS232C, you can select the 9th pin to RI (Input) or VCC (5V Power Supply). If you use the Digital's RS232C Isolation Unit, please select it to VCC.

Device-Specific Settings

Allowable Number of Devices/PLCs 16

Number	Device Name	Settings
<input type="button" value="1"/>	<input type="text" value="PLC1"/>	<input type="button" value="Station No.=1"/>

##### ◆ Device Setting

To display the setting screen, click ([Setting]) of the External Device you want to set from [Device-Specific Settings] of [Device/PLC Settings].

To connect multiple External Devices, click from [Device-Specific Settings] of [Device/PLC Settings] to add External Devices.

Individual Device Settings

PLC1

Station No.

## ■ Settings of External Device

Use the ladder software (WinProladder) for communication settings. After completing the settings, reboot the External Device to enable them. Refer to your External Device manual for details.

- 1 Start up the ladder software (WinProladder).
- 2 Select [Setting] - [Port 1 Parameter] from the [PLC] menu.
- 3 In the [Comm. Parameter Setting] dialog box, set the following parameters.

Item	Settings
Baud Rate	9,600
Parity	Even parity
Data Bit	7 bits
Stop Bit	1 bit

- 4 Click [OK] to complete the port settings.


## 3.4 Setting Example 4


### ■ Settings of GP-Pro EX

#### ◆ Communication Settings

To display the setting screen, select [Device/PLC Settings] from [System setting window] in the workspace.

#### ◆ Device Setting

To display the setting screen, click  ([Setting]) of the External Device you want to set from [Device-Specific Settings] of [Device/PLC Settings].

To connect multiple External Devices, click  from [Device-Specific Settings] of [Device/PLC Settings] to add External Devices.

## ■ Settings of External Device

Use the ladder software (WinProladder) for communication settings. After completing the settings, reboot the External Device to enable them. Refer to your External Device manual for details.

- 1 Start up the ladder software (WinProladder).
- 2 Select [Setting] - [Port 2 Parameter] from the [PLC] menu.
- 3 In the [Comm. Parameter Setting] dialog box, set the following parameters.

Item	Settings
Baud Rate	9,600
Parity	Even parity
Data Bit	7 bits
Stop Bit	1 bit

- 4 Click [OK] to complete the port settings.


## 3.5 Setting Example 5


### ■ Settings of GP-Pro EX

#### ◆ Communication Settings

To display the setting screen, select [Device/PLC Settings] from [System setting window] in the workspace.

#### ◆ Device Setting

To display the setting screen, click  ([Setting]) of the External Device you want to set from [Device-Specific Settings] of [Device/PLC Settings].

To connect multiple External Devices, click  from [Device-Specific Settings] of [Device/PLC Settings] to add External Devices.



## ■ Settings of External Device

Use the ladder software (WinProLadder) for communication settings. After completing the settings, reboot the External Device to enable them. Refer to your External Device manual for details.

- 1 Start up the ladder software (WinProLadder).
- 2 Select [Setting] - [Port 1 Parameter] from the [PLC] menu.
- 3 In the [Comm. Parameter Setting] dialog box, set the following parameters.

Item	Settings
Baud Rate	9,600
Parity	Even parity
Data Bit	7 bits
Stop Bit	1 bit

- 4 Click [OK] to complete the port settings.

## 3.6 Setting Example 6

### ■ Settings of GP-Pro EX

#### ◆ Communication Settings

To display the setting screen, select [Device/PLC Settings] from [System setting window] in the workspace.

Device/PLC 1

Summary [Change Device/PLC](#)

Maker  Series  Port

Text Data Mode  [Change](#)

Communication Settings

SIO Type  RS232C  RS422/485(2wire)  RS422/485(4wire)

Speed

Data Length  7  8

Parity  NONE  EVEN  ODD

Stop Bit  1  2

Flow Control  NONE  ER(DTR/CTS)  XON/XOFF

Timeout  (sec)

Retry

Wait To Send  (ms)

RI / VCC  RI  VCC

In the case of RS232C, you can select the 9th pin to RI (Input) or VCC (5V Power Supply). If you use the Digital's RS232C Isolation Unit, please select it to VCC.

Device-Specific Settings

Allowable Number of Devices/PLCs 16

Number	Device Name	Settings
<input type="button" value="1"/>	<input type="text" value="PLC1"/>	<input type="text" value="Station No.=1"/>

#### ◆ Device Setting

To display the setting screen, click ([Setting]) of the External Device you want to set from [Device-Specific Settings] of [Device/PLC Settings].

To connect multiple External Devices, click from [Device-Specific Settings] of [Device/PLC Settings] to add External Devices.

Individual Device Settings

PLC1

Station No.

## ■ Settings of External Device

Use the ladder software (WinProLadder) for communication settings. After completing the settings, reboot the External Device to enable them. Refer to your External Device manual for details.

- 1 Start up the ladder software (WinProLadder).
- 2 Select [Setting] - [Port 3 Parameter] from the [PLC] menu.
- 3 In the [Comm. Parameter Setting] dialog box, set the following parameters.

Item	Settings
Baud Rate	9,600
Parity	Even parity
Data Bit	7 bits
Stop Bit	1 bit

- 4 Click [OK] to complete the port settings.

## 3.7 Setting Example 7

### ■ Settings of GP-Pro EX

#### ◆ Communication Settings

To display the setting screen, select [Device/PLC Settings] from [System setting window] in the workspace.

Device/PLC 1

Summary [Change Device/PLC](#)

Maker  Series  Port

Text Data Mode  [Change](#)

Communication Settings

SIO Type  RS232C  RS422/485(2wire)  RS422/485(4wire)

Speed

Data Length  7  8

Parity  NONE  EVEN  ODD

Stop Bit  1  2

Flow Control  NONE  ER(DTR/CTS)  XON/XOFF

Timeout  (sec)

Retry

Wait To Send  (ms)

RI / VCC  RI  VCC

In the case of RS232C, you can select the 9th pin to RI (Input) or VCC (5V Power Supply). If you use the Digital's RS232C Isolation Unit, please select it to VCC.

Device-Specific Settings

Allowable Number of Devices/PLCs 16

Number	Device Name	Settings
<input type="button" value="1"/>	<input type="text" value="PLC1"/>	<input type="button" value="Station No.=1"/>

#### ◆ Device Setting

To display the setting screen, click ([Setting]) of the External Device you want to set from [Device-Specific Settings] of [Device/PLC Settings].

To connect multiple External Devices, click from [Device-Specific Settings] of [Device/PLC Settings] to add External Devices.

Individual Device Settings

PLC1

Station No.

## ■ Settings of External Device

Use the ladder software (WinProladder) for communication settings. After completing the settings, reboot the External Device to enable them. Refer to your External Device manual for details.

- 1 Start up the ladder software (WinProladder).
- 2 Select [Setting] - [Port 4 Parameter] from the [PLC] menu.
- 3 In the [Comm. Parameter Setting] dialog box, set the following parameters.

Item	Settings
Baud Rate	9,600
Parity	Even parity
Data Bit	7 bits
Stop Bit	1 bit

- 4 Click [OK] to complete the port settings.

## 3.8 Setting Example 8

### ■ Settings of GP-Pro EX

#### ◆ Communication Settings

To display the setting screen, select [Device/PLC Settings] from [System setting window] in the workspace.

Device/PLC 1

Summary [Change Device/PLC](#)

Maker  Series  Port

Text Data Mode  [Change](#)

Communication Settings

SIO Type  RS232C  RS422/485(2wire)  RS422/485(4wire)

Speed

Data Length  7  8

Parity  NONE  EVEN  ODD

Stop Bit  1  2

Flow Control  NONE  ER(DTR/CTS)  XON/XOFF

Timeout  (sec)

Retry

Wait To Send  (ms)

RI / VCC  RI  VCC


In the case of RS232C, you can select the 9th pin to RI (Input) or VCC (5V Power Supply). If you use the Digital's RS232C Isolation Unit, please select it to VCC.


Device-Specific Settings

Allowable Number of Devices/PLCs 16

Number	Device Name
<input type="button" value="1"/>	<input type="text" value="PLC1"/>

#### ◆ Device Setting

To display the setting screen, click  ([Setting]) of the External Device you want to set from [Device-Specific Settings] of [Device/PLC Settings].

To connect multiple External Devices, click  from [Device-Specific Settings] of [Device/PLC Settings] to add External Devices.

Individual Device Settings

PLC1

Station No.

## ■ Settings of External Device

Use the ladder software (WinProladder) for communication settings. After completing the settings, reboot the External Device to enable them. Refer to your External Device manual for details.

- 1 Start up the ladder software (WinProladder).
- 2 Select [Setting] - [Port 3 Parameter] from the [PLC] menu.
- 3 In the [Comm. Parameter Setting] dialog box, set the following parameters.

Item	Settings
Baud Rate	9,600
Parity	Even parity
Data Bit	7 bits
Stop Bit	1 bit

- 4 Click [OK] to complete the port settings.


## 3.9 Setting Example 9


### ■ Settings of GP-Pro EX

#### ◆ Communication Settings

To display the setting screen, select [Device/PLC Settings] from [System setting window] in the workspace.

#### ◆ Device Setting

To display the setting screen, click  ([Setting]) of the External Device you want to set from [Device-Specific Settings] of [Device/PLC Settings].

To connect multiple External Devices, click  from [Device-Specific Settings] of [Device/PLC Settings] to add External Devices.



## ■ Settings of External Device

Use the ladder software (WinProladder) for communication settings. After completing the settings, reboot the External Device to enable them. Refer to your External Device manual for details.

- 1 Start up the ladder software (WinProladder).
- 2 Select [Setting] - [Port 4 Parameter] from the [PLC] menu.
- 3 In the [Comm. Parameter Setting] dialog box, set the following parameters.

Item	Settings
Baud Rate	9,600
Parity	Even parity
Data Bit	7 bits
Stop Bit	1 bit

- 4 Click [OK] to complete the port settings.

### 3.10 Setting Example 10

#### ■ Settings of GP-Pro EX


##### ◆ Communication Settings


To display the setting screen, select [Device/PLC Settings] from [System setting window] in the workspace.

#### NOTE

- For 1:n connection, set [Wait To Send] to a value of the PLC scan time plus 5ms or more.

##### ◆ Device Setting

To display the setting screen, click  ([Setting]) of the External Device you want to set from [Device-Specific Settings] of [Device/PLC Settings].

To connect multiple External Devices, click  from [Device-Specific Settings] of [Device/PLC Settings] to add External Devices.

#### ■ Settings of External Device

The communication setting is fixed.

### 3.11 Setting Example 11

#### ■ Settings of GP-Pro EX


##### ◆ Communication Settings


To display the setting screen, select [Device/PLC Settings] from [System setting window] in the workspace.

#### NOTE

- For 1:n connection, set [Wait To Send] to a value of the PLC scan time plus 5ms or more.

##### ◆ Device Setting

To display the setting screen, click  ([Setting]) of the External Device you want to set from [Device-Specific Settings] of [Device/PLC Settings].

To connect multiple External Devices, click  from [Device-Specific Settings] of [Device/PLC Settings] to add External Devices.

#### ■ Settings of External Device

The communication setting is fixed.

## 3.12 Setting Example 12

### ◆ Communication Settings

To display the setting screen, select [Device/PLC Settings] from [System setting window] in the workspace.

Device/PLC 1

Summary

Maker  Series  Port

Text Data Mode  [Change](#)

Communication Settings

SIO Type  RS232C  RS422/485(2wire)  RS422/485(4wire)

Speed

Data Length  7  8

Parity  NONE  EVEN  ODD

Stop Bit  1  2

Flow Control  NONE  ER(DTR/CTS)  XON/XOFF

Timeout  (sec)

Retry

Wait To Send  (ms)

RI / VCC  RI  VCC

In the case of RS232C, you can select the 9th pin to RI (Input) or VCC (5V Power Supply). If you use the Digital's RS232C Isolation Unit, please select it to VCC.

Device-Specific Settings

Allowable Number of Devices/PLCs 16

Number	Device Name	Settings
<input type="button" value="1"/>	<input type="text" value="PLC1"/>	<input type="text" value="Station No.=1"/>

#### NOTE

- For 1:n connection, set [Wait To Send] to a value of the PLC scan time plus 5ms or more.

### ◆ Device Setting

To display the setting screen, click  ([Setting]) of the External Device you want to set from [Device-Specific Settings] of [Device/PLC Settings].

To connect multiple External Devices, click  from [Device-Specific Settings] of [Device/PLC Settings] to add External Devices.

Individual Device Settings

PLC1

Station No.

## ■ Settings of External Device

Use the ladder software (WinProladder) for communication settings. After completing the settings, reboot the External Device to enable them. Refer to your External Device manual for details.

- 1 Start up the ladder software (WinProladder).
- 2 Select [Setting] - [Port 1 Parameter] from the [PLC] menu.
- 3 In the [Comm. Parameter Setting] dialog box, set the following parameters.

Item	Settings
Baud Rate	9,600
Parity	Even parity
Data Bit	7 bits
Stop Bit	1 bit

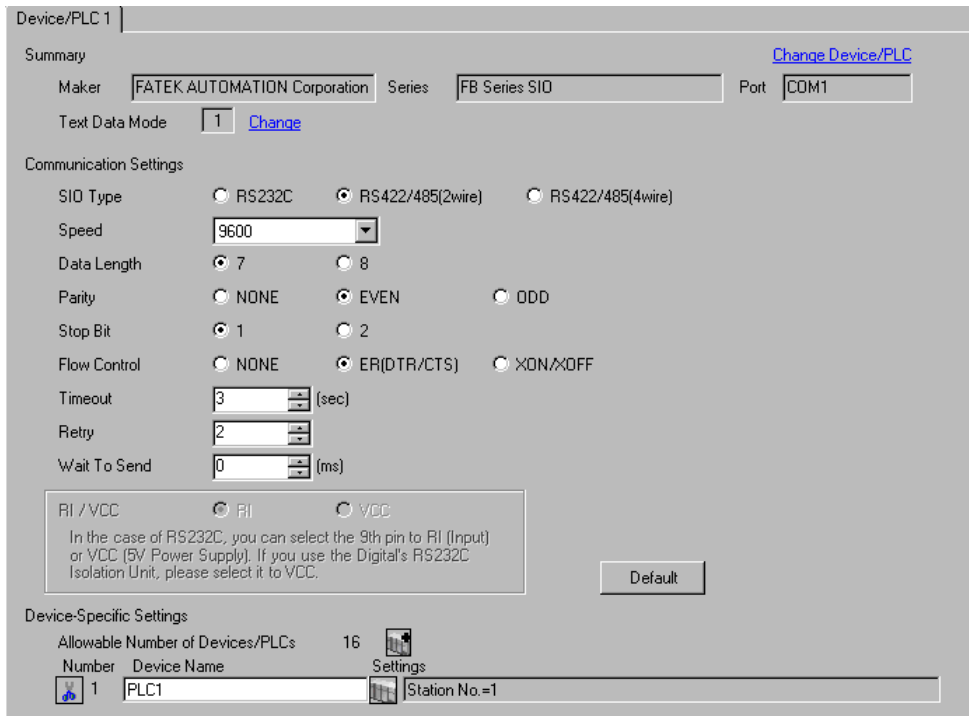
- 4 Click [OK] to complete the port settings.

### 3.13 Setting Example 13

#### ■ Settings of GP-Pro EX

##### ◆ Communication Settings


To display the setting screen, select [Device/PLC Settings] from [System setting window] in the workspace.



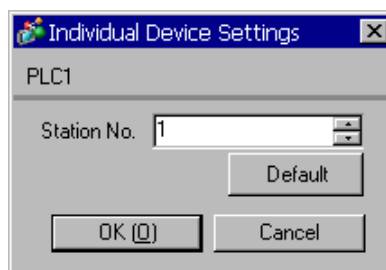
**NOTE**

- For 1:n connection, set [Wait To Send] to a value of the PLC scan time plus 5ms or more.

##### ◆ Device Setting

To display the setting screen, click  ([Setting]) of the External Device you want to set from [Device-Specific Settings] of [Device/PLC Settings].

To connect multiple External Devices, click  from [Device-Specific Settings] of [Device/PLC Settings] to add External Devices.



## ■ Settings of External Device

Use the ladder software (WinProladder) for communication settings. After completing the settings, reboot the External Device to enable them. Refer to your External Device manual for details.

- 1 Start up the ladder software (WinProladder).
- 2 Select [Setting] - [Port 2 Parameter] from the [PLC] menu.
- 3 In the [Comm. Parameter Setting] dialog box, set the following parameters.

Item	Settings
Baud Rate	9,600
Parity	Even parity
Data Bit	7 bits
Stop Bit	1 bit

- 4 Click [OK] to complete the port settings.

## 4 Setup Items

Set the communication settings of the Display with GP-Pro Ex or in off-line mode of the Display.

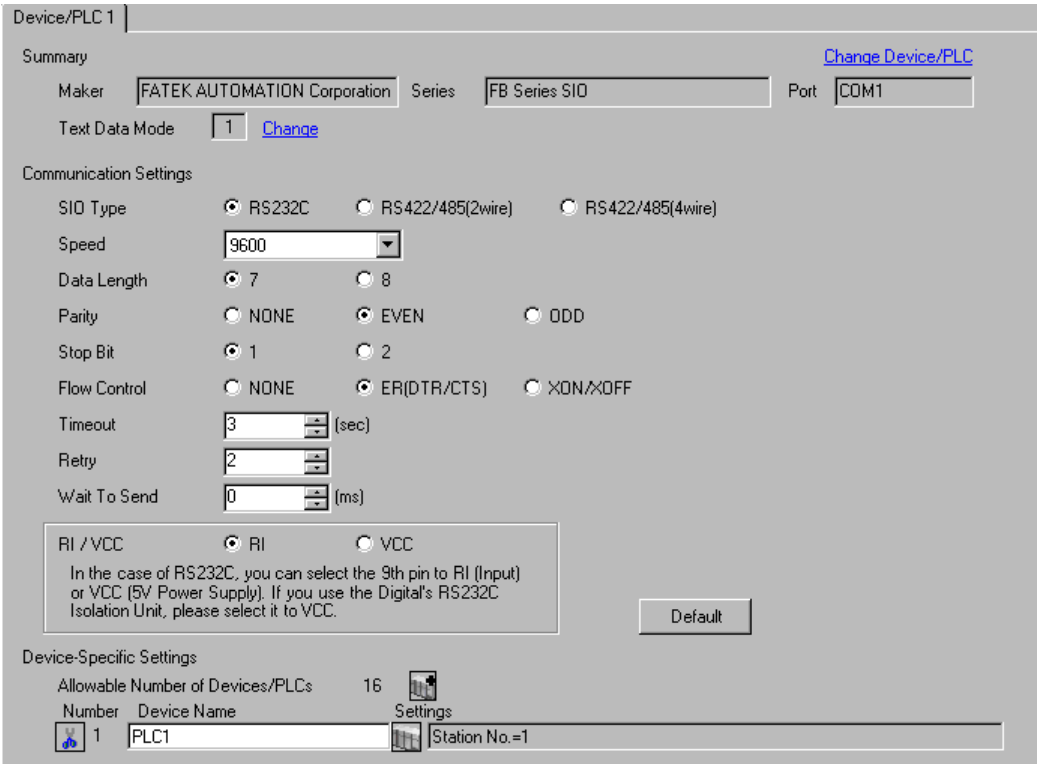
The setting of each parameter must match that of the External Device.

 "3 Example of Communication Setting" (page 9)

### 4.1 Setup Items in GP-Pro EX

#### ■ Communication Settings

To display the setting screen, select [Device/PLC Settings] from [System setting window] in the workspace.



Device/PLC 1

Summary [Change Device/PLC](#)

Maker: FATEK AUTOMATION Corporation Series: FB Series SIO Port: COM1

Text Data Mode: 1 [Change](#)

Communication Settings

SIO Type:  RS232C  RS422/485(2wire)  RS422/485(4wire)

Speed: 9600

Data Length:  7  8

Parity:  NONE  EVEN  ODD

Stop Bit:  1  2

Flow Control:  NONE  ER(DTR/CTS)  XDN/XOFF

Timeout: 3 (sec)

Retry: 2

Wait To Send: 0 (ms)

RI / VCC:  RI  VCC

In the case of RS232C, you can select the 9th pin to RI (Input) or VCC (5V Power Supply). If you use the Digital's RS232C Isolation Unit, please select it to VCC.

[Default](#)

Device-Specific Settings

Allowable Number of Devices/PLCs: 16

Number	Device Name	Settings
1	PLC1	Station No.=1


Setup Items	Setup Description
SIO Type	Select the SIO type for communicating with the External Device.
Speed	Select the communication speed between the External Device and the Display.
Data Length	Select a data length.
Parity	Select how to check parity.
Stop Bit	Select a stop bit length.
Flow Control	Select the communication control method to prevent overflow of transmission and reception data.
Timeout	Enter the time (s) for which the Display waits for a response from the External Device, from "1 to 127".

Continued to next page.

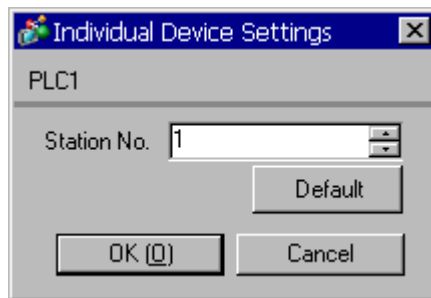


Setup Items	Setup Description
Retry	In case of no response from the External Device, enter how many times the Display retransmits the command, from "0 to 255".
Wait To Send	Enter the standby time (ms) from when the Display receives packets until it transmits the next command, from "0 to 255".
RI/VCC	You can switch between RI/VCC of the 9th pin when you select RS232C for the SIO type. To connect to the IPC, you need to use the IPC selector switch to switch RI/5V. Refer to your IPC manual for details.

■ Device Setting

To display the setting screen, click  ([Setting]) of the External Device you want to set from [Device-Specific Settings ] of [Device/PLC Settings ].

To connect multiple External Devices, click  from [Device-Specific Settings] of [Device/PLC Settings] to add External Devices.



Setup Items	Setup Description
Station No.	Enter the station No. of the External Device, from "1 to 254".

## 4.2 Settings in Off-Line Mode

**NOTE**

- Refer to the Maintenance/Troubleshooting manual for information on how to enter off-line mode or about the operation.

Cf. Maintenance/Troubleshooting Manual "2.2 Off-line Mode"

### ■ Communication Settings

To display the setting screen, touch [Device/PLC Settings] from [Peripheral Equipment Settings] in off-line mode. Touch the External Device you want to set from the list that appears.

Comm.	Device	Option		
FB Series SIO		[COM1]	Page 1/1	
SIO Type	RS232C			
Speed	9600			
Data Length	<input checked="" type="radio"/> 7 <input type="radio"/> 8			
Parity	<input type="radio"/> NONE <input checked="" type="radio"/> EVEN <input type="radio"/> ODD			
Stop Bit	<input checked="" type="radio"/> 1 <input type="radio"/> 2			
Flow Control	ER(DTR/CTS)			
Timeout(s)	3			
Retry	2			
Wait To Send(ms)	0			
Exit		Back		2007/10/15 21:52:28

Setup Items	Setup Description
SIO Type	Select the SIO type for communicating with the External Device. <b>IMPORTANT</b> In the communication settings, set [SIO Type] correctly according to the serial interface specifications of the Display. If you select an SIO type that the serial interface does not support, proper operation cannot be guaranteed. Refer to your Display manual for details on the serial interface specifications.
Speed	Select the communication speed between the External Device and the Display.
Data Length	Select a data length.
Parity	Select how to check parity.
Stop Bit	Select a stop bit length.
Flow Control	Select the communication control method to prevent overflow of transmission and reception data.

Continued to next page.

Setup Items	Setup Description
Timeout	Enter the time (s) for which the Display waits for a response from the External Device, from "1 to 127".
Retry	In case of no response from the External Device, enter how many times the Display retransmits the command, from "0 to 255".
Wait To Send	Enter the standby time (ms) from when the Display receives packets until it transmits the next command, from "0 to 255".

■ Device Setting

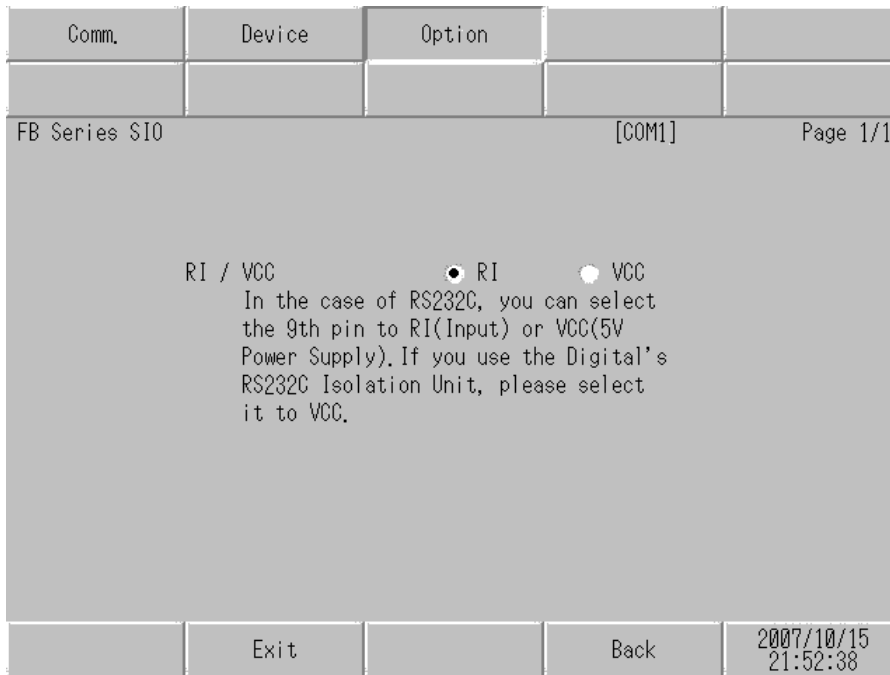
To display the setting screen, touch [Device/PLC Settings] from [Peripheral Equipment Settings]. Touch the External Device you want to set from the list that appears, and touch [Device Settings].

Comm.	Device	Option		
FB Series SIO		[COM1]	Page 1/1	
Device/PLC Name		PLC1		
Station No.		1		
Exit		Back		2007/10/15 21:52:33

Setup Items	Setup Description
Device/PLC Name	Select the External Device to set. Device name is the title of the External Device set with GP-Pro EX. (Initial value [PLC1])
Station No.	Enter the station No. of the External Device, from "1 to 254".

■ Option

To display the setting screen, touch [Device/PLC Settings] from [Peripheral Equipment Settings]. Touch the External Device you want to set from the list that appears, and touch [Option].



Setup Items	Setup Description
RI/VCC	You can switch between RI/VCC of the 9th pin when you select RS232C for the SIO type. To connect to the IPC, you need to use the IPC selector switch to switch between RI/5V. Refer to your IPC manual for details.

## 5 Cable Diagram


The cable diagram shown below may differ from that recommended by the FATEK AUTOMATION Corporation. Please be assured, however, that there is no operational problem in applying the cable diagram shown in this manual.

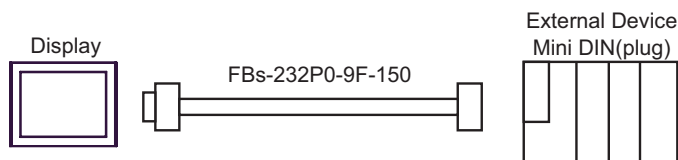
- The FG pin on the External Device must be D-class grounded. Refer to your External Device manual for details.
- The SG and FG are connected inside the Display. If you connect the External Device to the SG, do not form any short-circuit loop in the system design.
- If the communication is not stable because of noise or other factors, connect an isolation unit.

Cable Diagram 1

Display (Connection Port)	Cable	Remarks
GP (COM1) IPC <sup>*1</sup> PC/AT	FBs-232P0-9F-150 by FATEK	-

\*1 Available only with a COM port that supports RS232C.

 ■ COM Port on IPC (page 6)

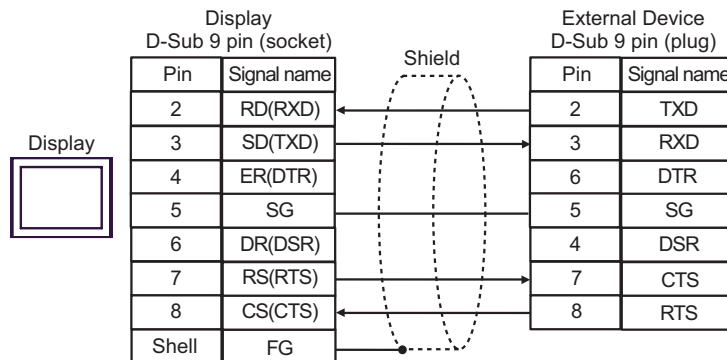


Cable Diagram 2

Display (Connection Port)	Cable	Remarks
GP (COM1) IPC*1 PC/AT	Your own cable	Cable length: 15m or less

\*1 Available only with a COM port that supports RS232C.

☞ ■ COM Port on IPC (page 6)

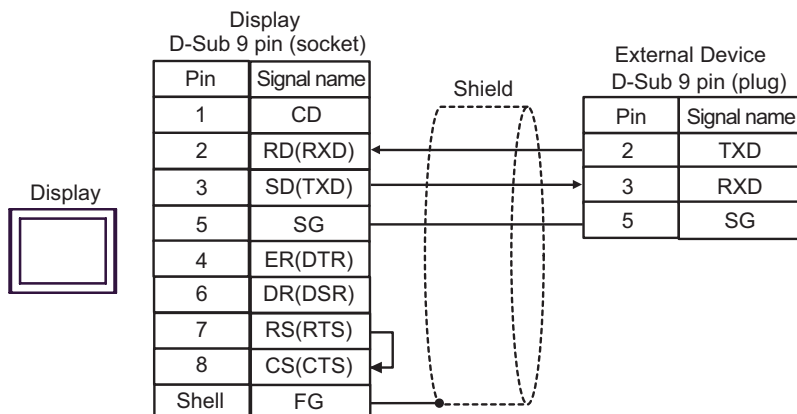


Cable Diagram 3

Display (Connection Port)	Cable	Remarks
GP (COM1) IPC*1 PC/AT	Your own cable	Cable length: 15m or less

\*1 Available only with a COM port that supports RS232C.

☞ ■ COM Port on IPC (page 6)




Cable Diagram 4

Display (Connection Port)	Cable		Remarks
GP*1 (COM1) AGP-3302B (COM2)	A	COM port conversion adapter by Pro-face CA3-ADPCOM-01 + Connector terminal block conversion adapter by Pro-face CA3-ADPTRM-01 + Your own cable	Cable length: 1,000m or less
	B	Your own cable	
GP*2 (COM2)	C	Online adapter by Pro-face CA4-ADPONL-01 + Connector terminal block conversion adapter by Pro-face CA3-ADPTRM-01 + Your own cable	
	D	Online adapter by Pro-face CA4-ADPONL-01 + Your own cable	
IPC*3	E	COM port conversion adapter by Pro-face CA3-ADPCOM-01 + Connector terminal block conversion adapter by Pro-face CA3-ADPTRM-01 + Your own cable	
	F	Your own cable	

\*1 All GP models except AGP-3302B

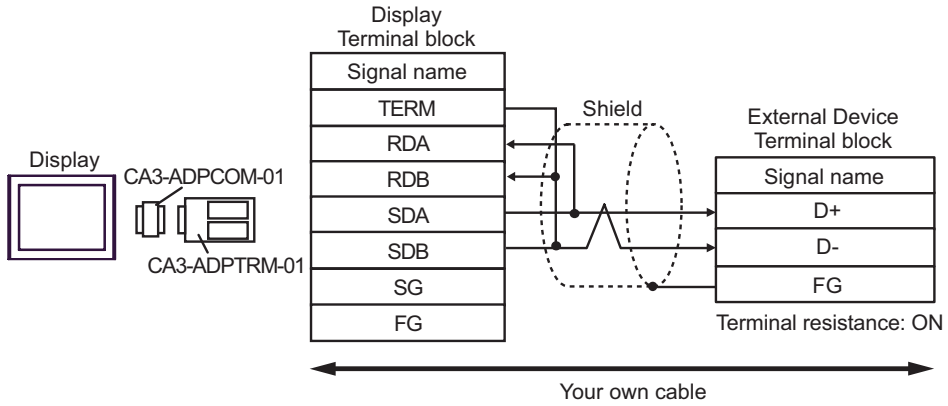
\*2 All GP models except the GP-3200 Series and AGP-3302B

\*3 Available only with a COM port that supports RS422/485 (2wire).

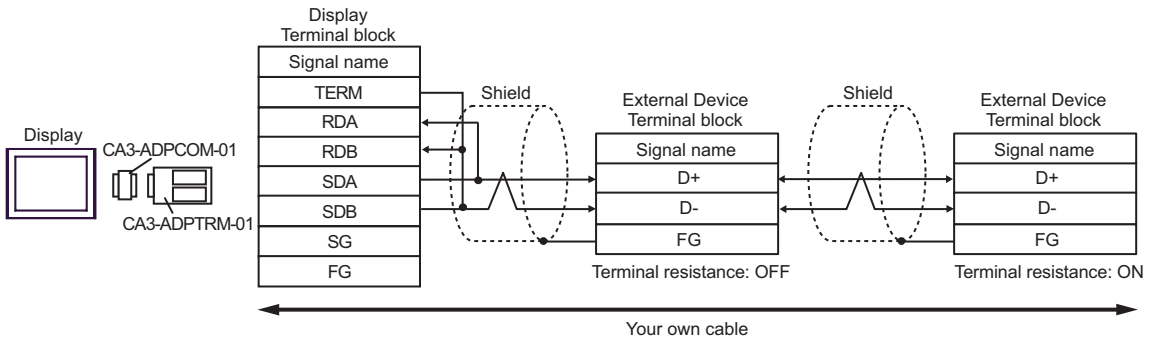
 ■ COM Port on IPC (page 6)

- A. When using the COM port conversion adapter (CA3-ADPCOM-01), the connector terminal block conversion adapter (CA3-ADPTRM-01) by Pro-face, and your own cable

• 1:1 Connection



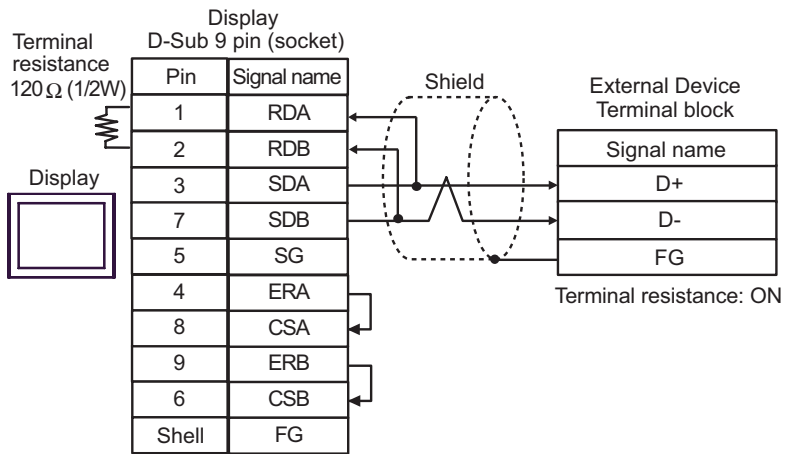
• 1:n Connection



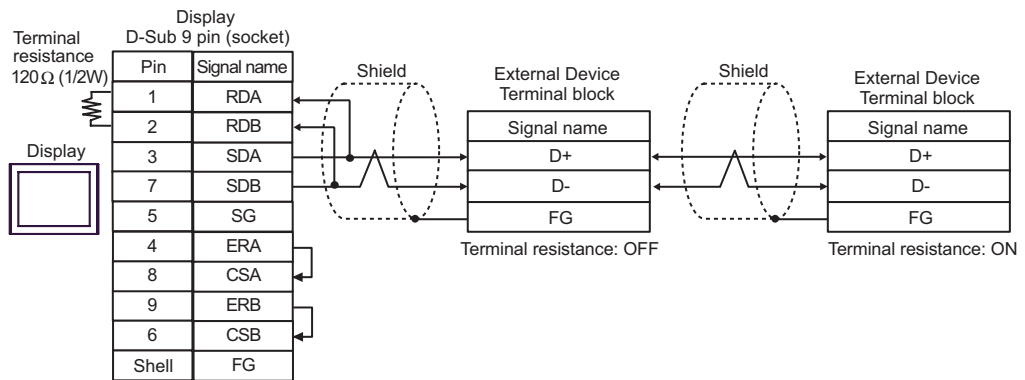


B. When using your own cable

• 1:1 Connection

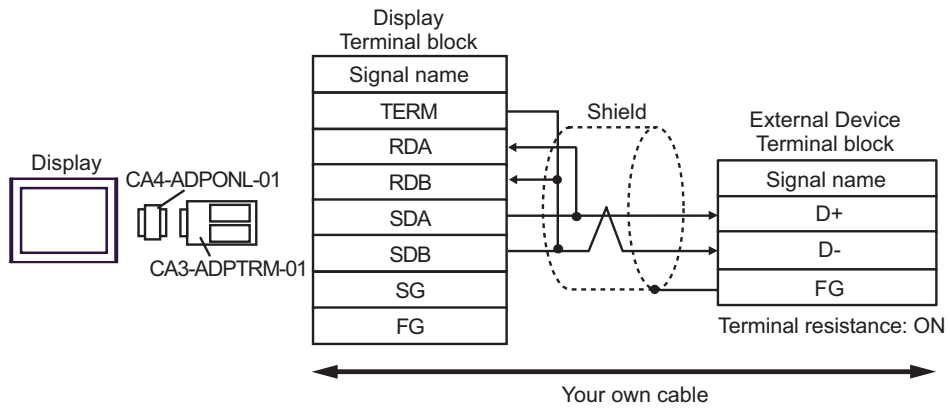


• 1:n Connection

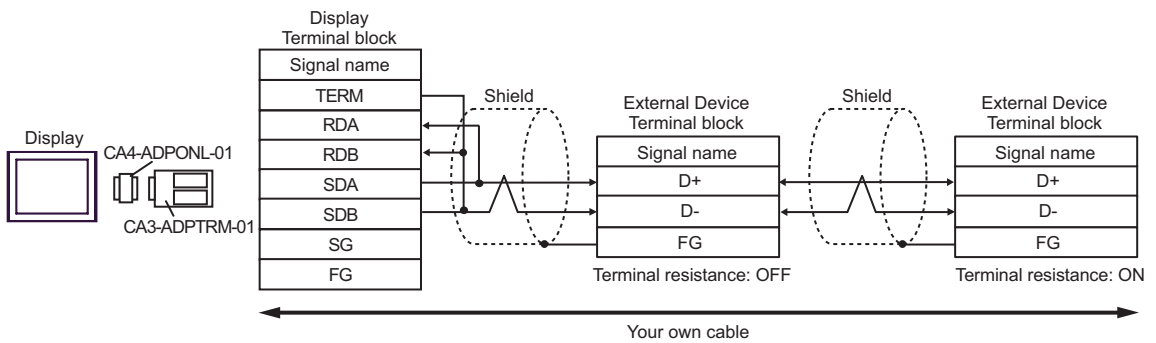


C. When using the online adapter (CA4-ADPONL-01), the connector terminal block conversion adapter (CA3-ADPTRM-01) by Pro-face, and your own cable

• 1:1 Connection

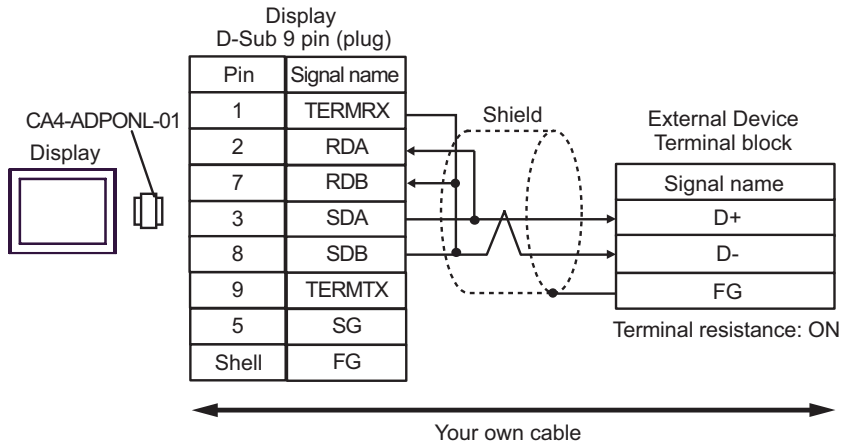


• 1:n Connection

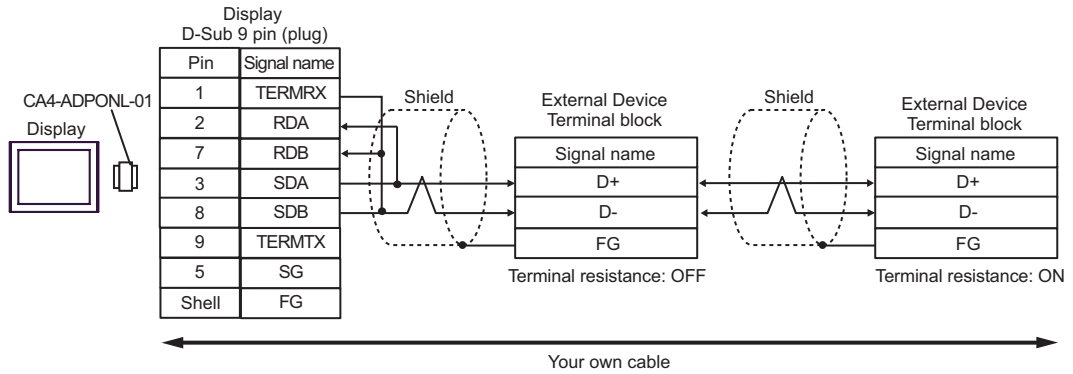


D. When using the online adapter (CA4-ADPONL-01) by Pro-face and your own cable

• 1:1 Connection

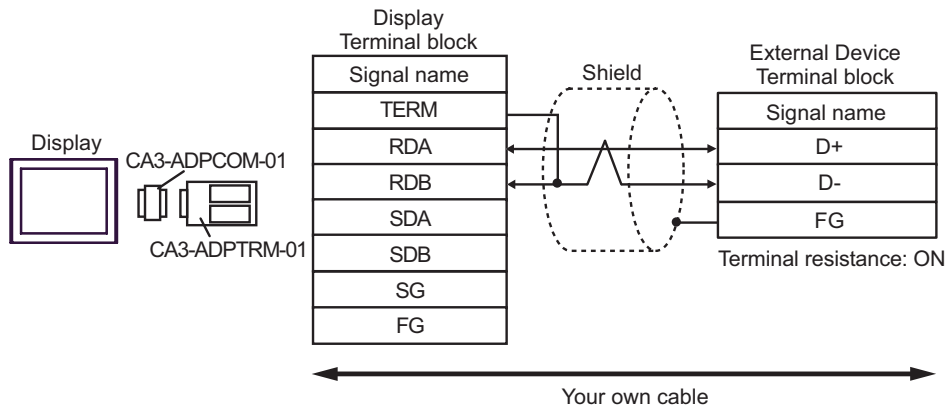


• 1:n Connection

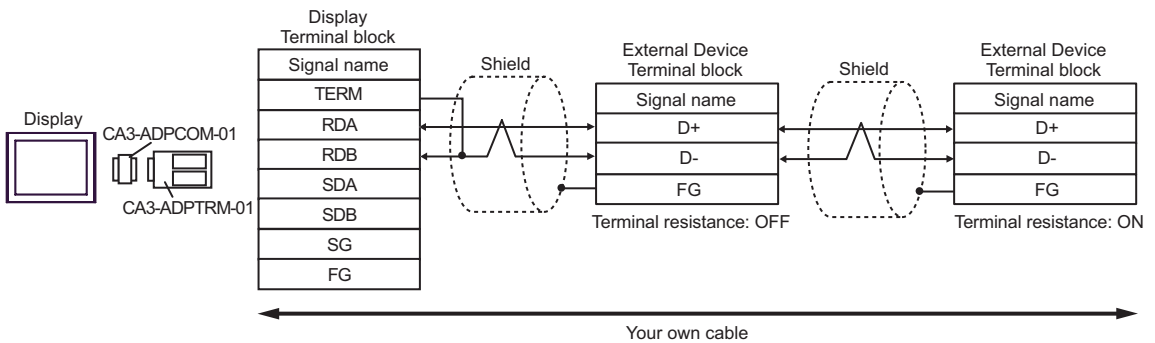


E. When using the COM port conversion adapter (CA3-ADPCOM-01), the connector terminal block conversion adapter (CA3-ADPTRM-01) by Pro-face, and your own cable

• 1:1 Connection

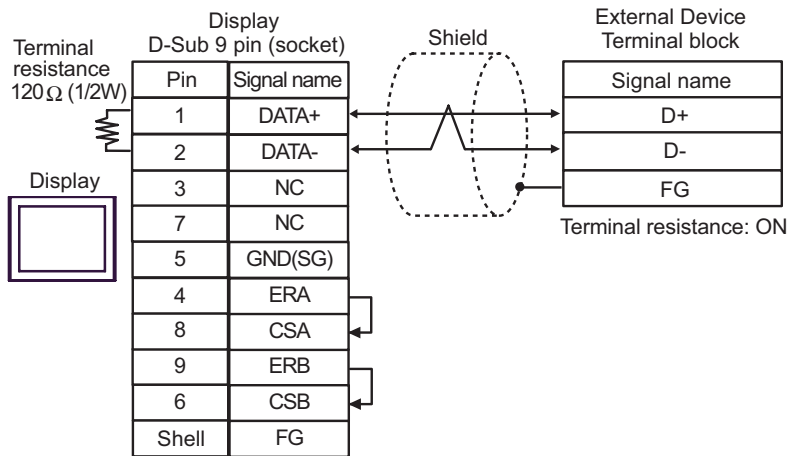


• 1:n Connection

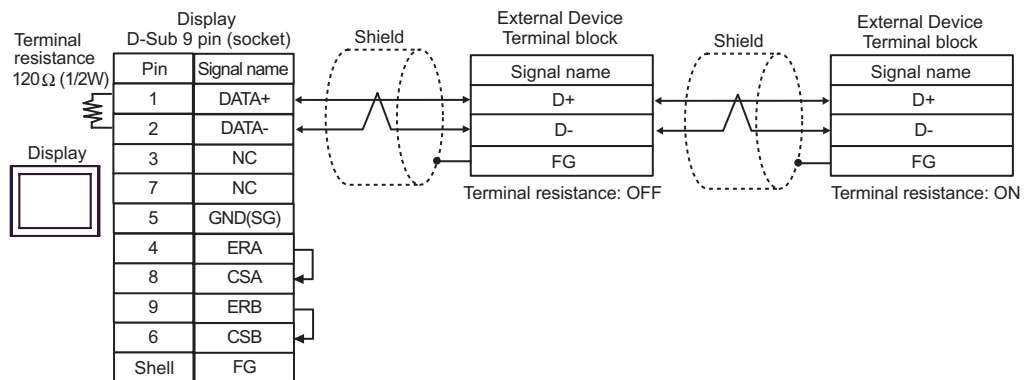


F. When using your own cable

• 1:1 Connection




• 1:n Connection



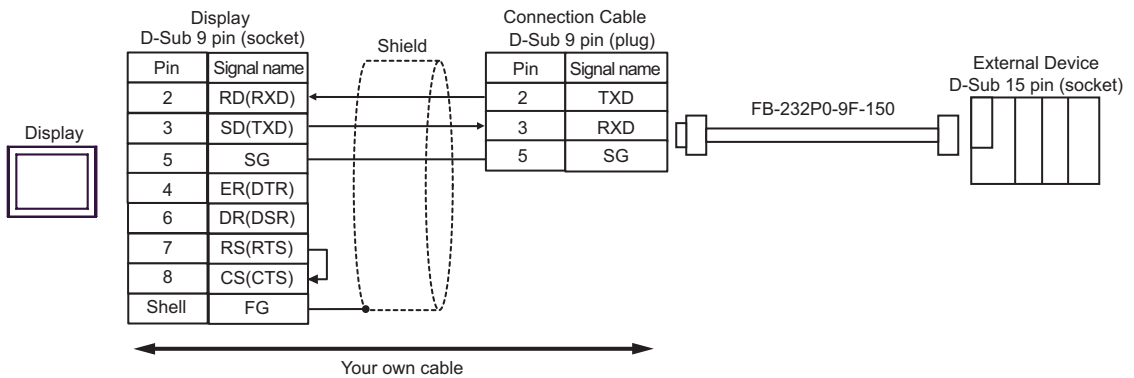
Cable Diagram 5

Display (Connection Port)	Cable		Remarks
GP (COM1) IPC*1 PC/AT	A	Your own cable + Cable FB-232P0-9F-150 by FATEK	Cable length: 15m or less
	B	Your own cable + Cable FB-232P0-9M-150 by FATEK	

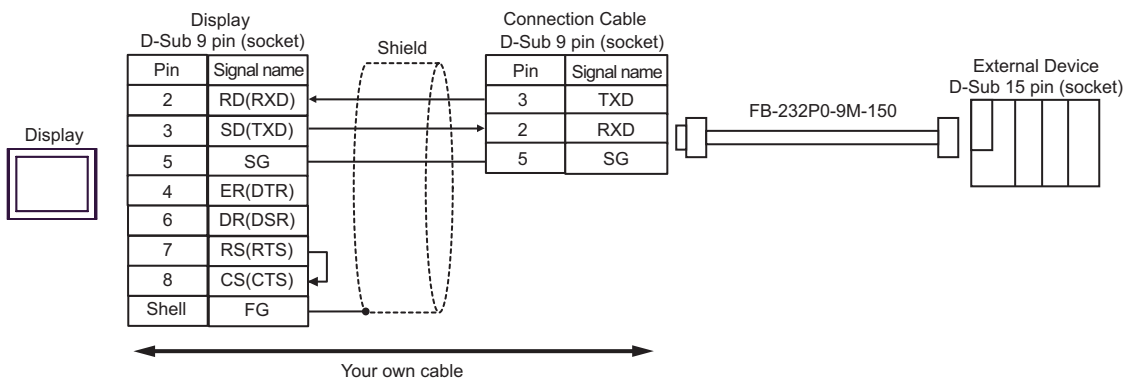
\*1 Available only with a COM port that supports RS232C.

 ■ COM Port on IPC (page 6)

A. When using your own cable and the cable FB-232P0-9F-150 by FATEK



B. When using your own cable and the cable FB-232P0-9M-150 by FATEK




Cable Diagram 6

Display (Connection Port)	Cable		Remarks
GP*1 (COM1) AGP-3302B (COM2)	A	COM port conversion adapter by Pro-face CA3-ADPCOM-01 + Connector terminal block conversion adapter by Pro-face CA3-ADPTRM-01 + Your own cable	Cable length: 1,000m or less
	B	Your own cable	
GP*2 (COM2)	C	Online adapter by Pro-face CA4-ADPONL-01 + Connector terminal block conversion adapter by Pro-face CA3-ADPTRM-01 + Your own cable	
	D	Online adapter by Pro-face CA4-ADPONL-01 + Your own cable	
IPC*3	E	COM port conversion adapter by Pro-face CA3-ADPCOM-01 + Connector terminal block conversion adapter by Pro-face CA3-ADPTRM-01 + Your own cable	
	F	Your own cable	

\*1 All GP models except AGP-3302B

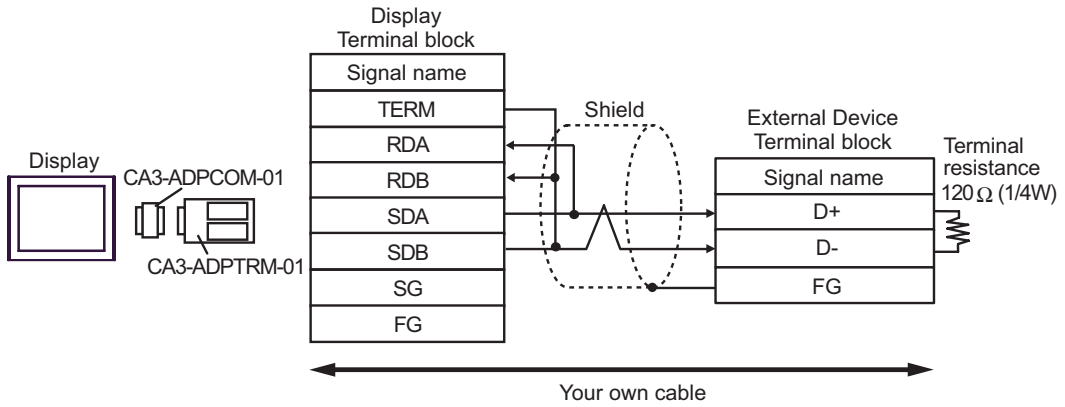
\*2 All GP models except the GP-3200 Series and AGP-3302B

\*3 Available only with a COM port that supports RS422/485 (2wire).

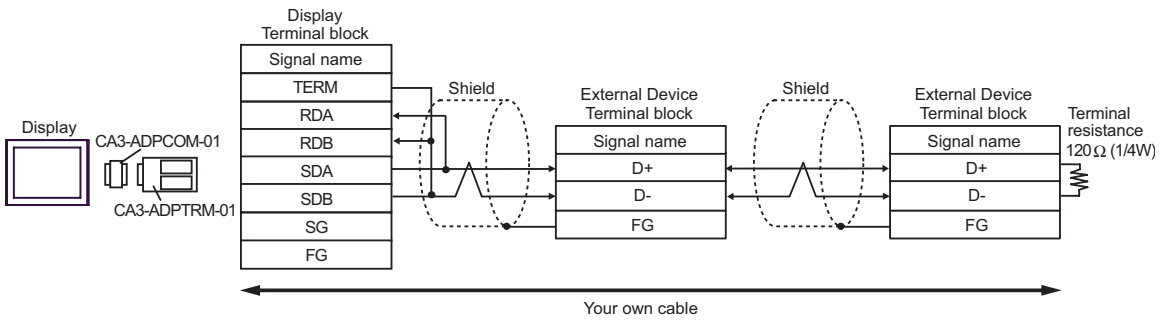
 ■ COM Port on IPC (page 6)

A. When using the COM port conversion adapter (CA3-ADPCOM-01), the connector terminal block conversion adapter (CA3-ADPTRM-01) by Pro-face, and your own cable

• 1:1 Connection



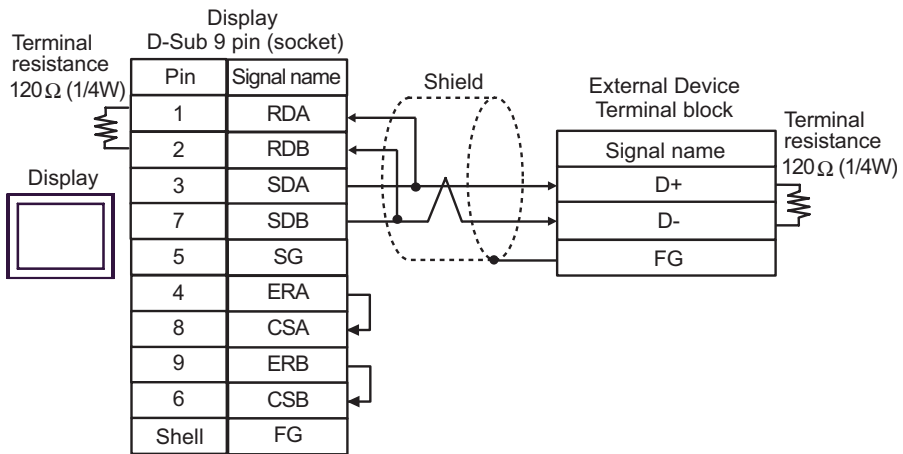
• 1:n Connection



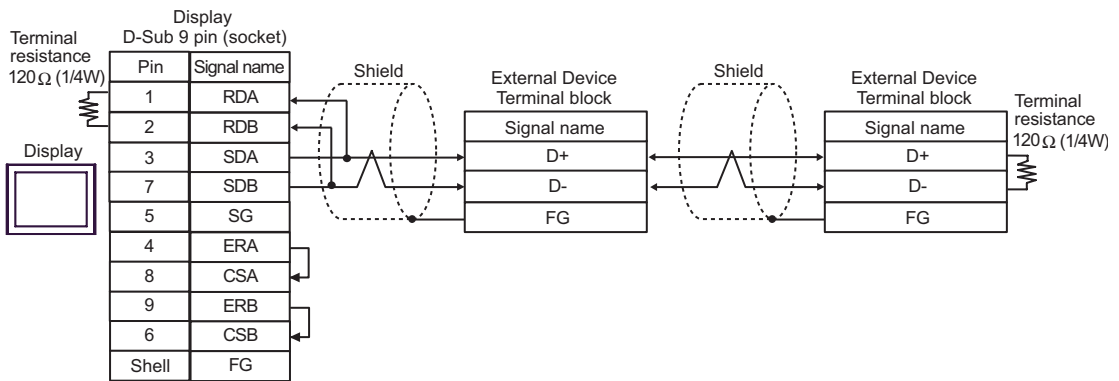


B. When using your own cable

• 1:1 Connection

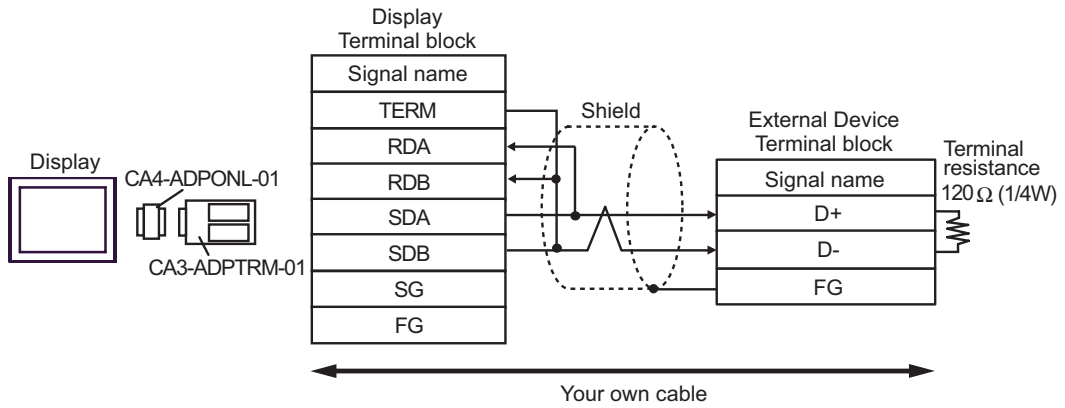


• 1:n Connection

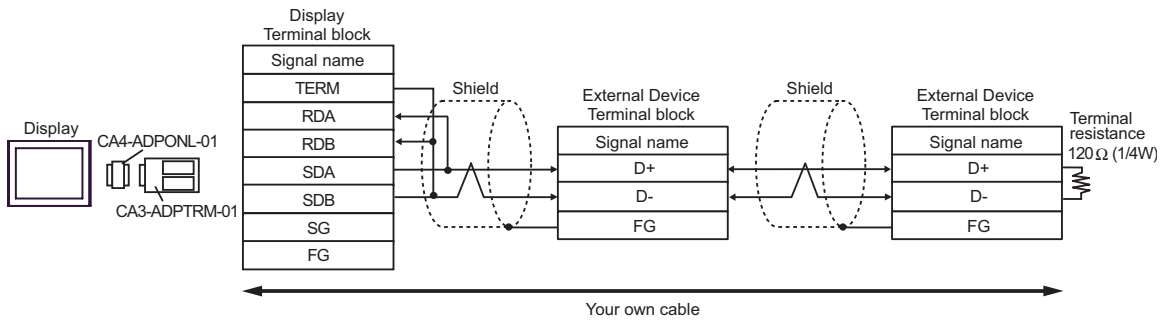


C. When using the online adapter (CA4-ADPONL-01), the connector terminal block conversion adapter (CA3-ADPTRM-01) by Pro-face, and your own cable

• 1:1 Connection

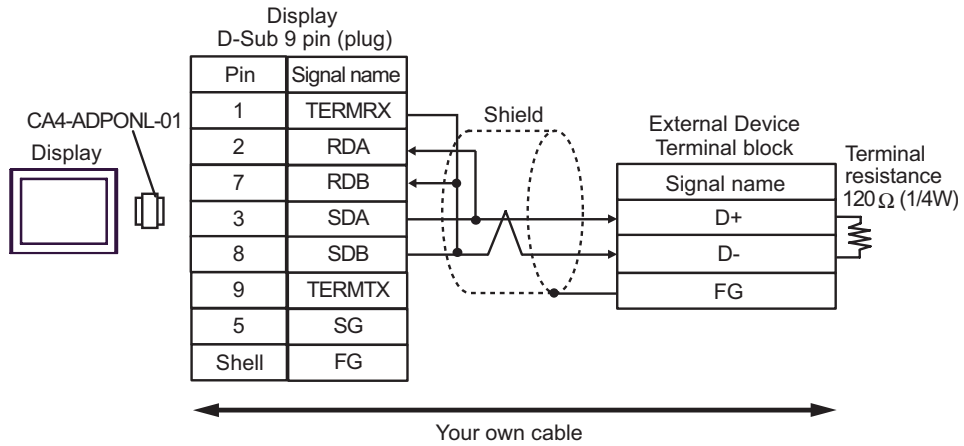


• 1:n Connection

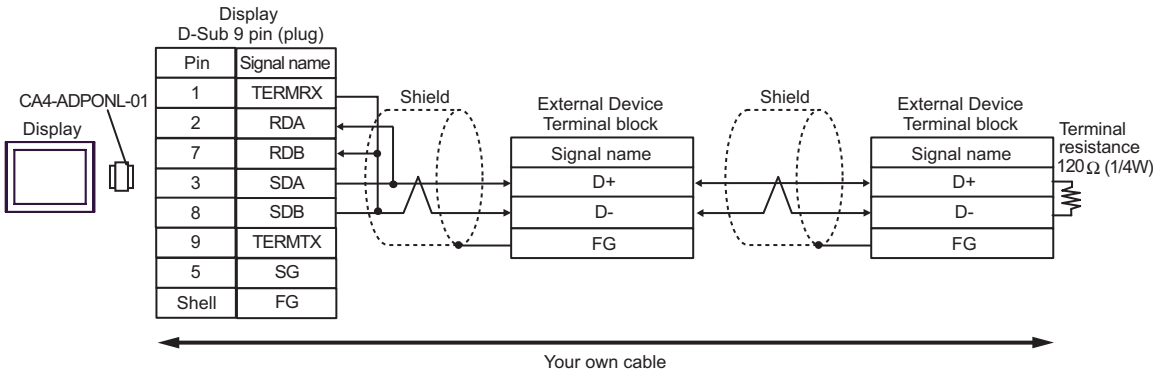


D. When using the online adapter (CA4-ADPONL-01) by Pro-face and your own cable

• 1:1 Connection

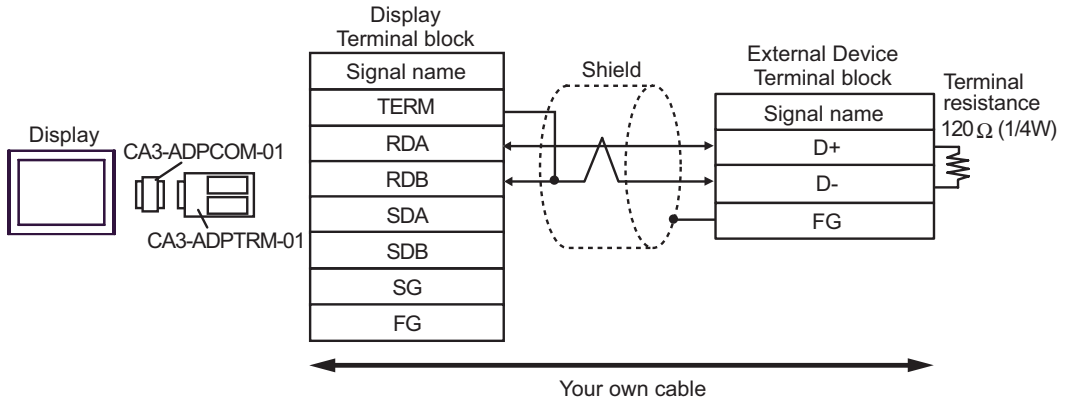


• 1:n Connection

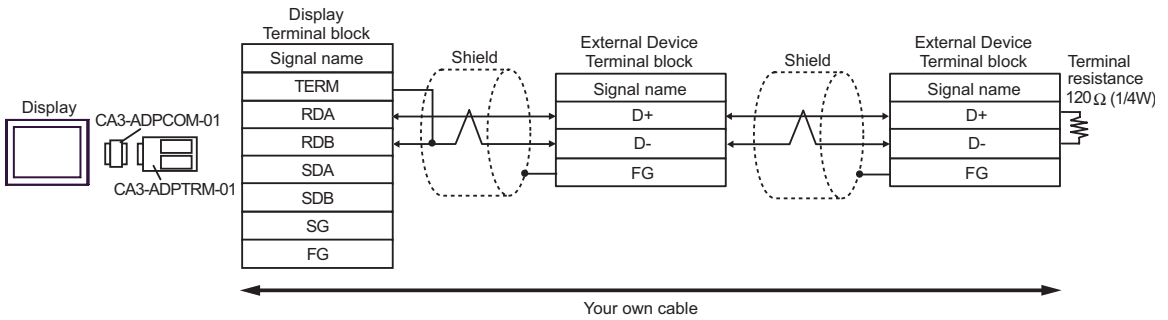


E. When using the COM port conversion adapter (CA3-ADPCOM-01), the connector terminal block conversion adapter (CA3-ADPTRM-01) by Pro-face, and your own cable

• 1:1 Connection

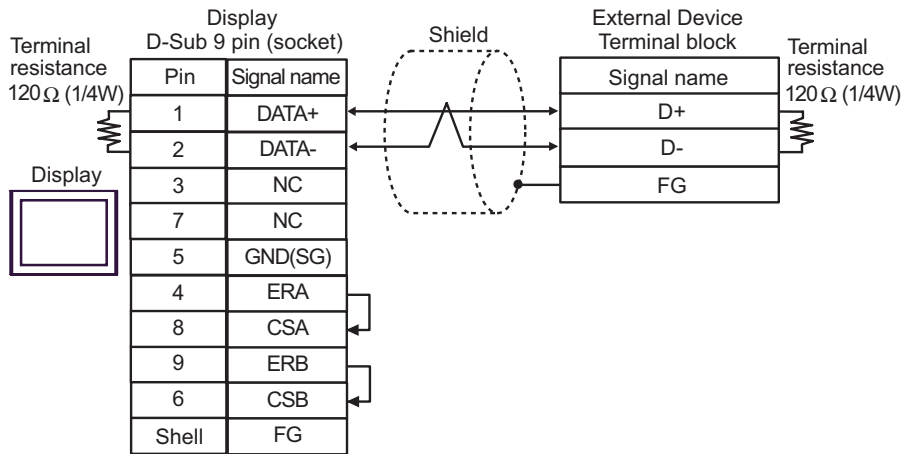


• 1:n Connection

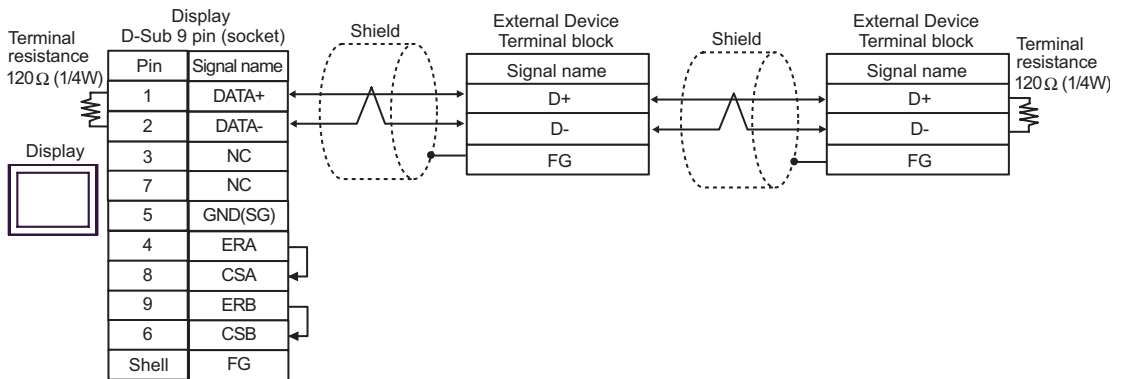


F. When using your own cable

• 1:1 Connection




• 1:n Connection

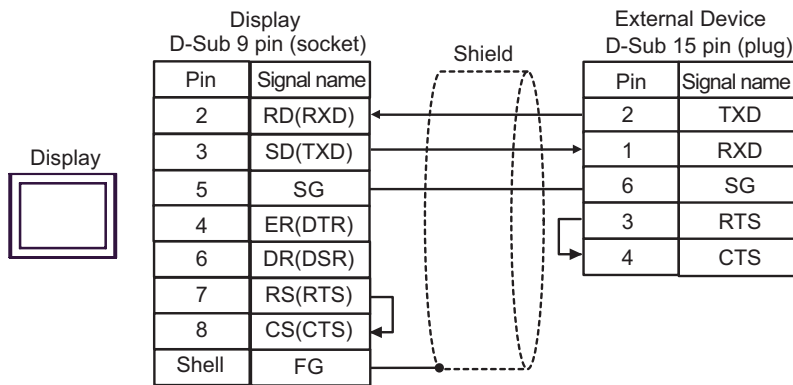


Cable Diagram 7

Display (Connection Port)	Cable	Remarks
GP (COM1) IPC*1 PC/AT	Your own cable	Cable length: 15m or less

\*1 Available only with a COM port that supports RS232C.

 ■ COM Port on IPC (page 6)




Cable Diagram 8

Display (Connection Port)	Cable		Remarks
GP* <sup>1</sup> (COM1) AGP-3302B (COM2)	A	COM port conversion adapter by Pro-face CA3-ADPCOM-01 + Connector terminal block conversion adapter by Pro-face CA3-ADPTRM-01 + Your own cable	Cable length: 1,000m or less
	B	Your own cable	
GP* <sup>2</sup> (COM2)	C	Online adapter by Pro-face CA4-ADPONL-01 + Connector terminal block conversion adapter by Pro-face CA3-ADPTRM-01 + Your own cable	
	D	Online adapter by Pro-face CA4-ADPONL-01 + Your own cable	
IPC* <sup>3</sup>	E	COM port conversion adapter by Pro-face. CA3-ADPCOM-01 + Connector terminal block conversion adapter by Pro-face CA3-ADPTRM-01 + Your own cable	
	F	Your own cable	

\*1 All GP models except AGP-3302B

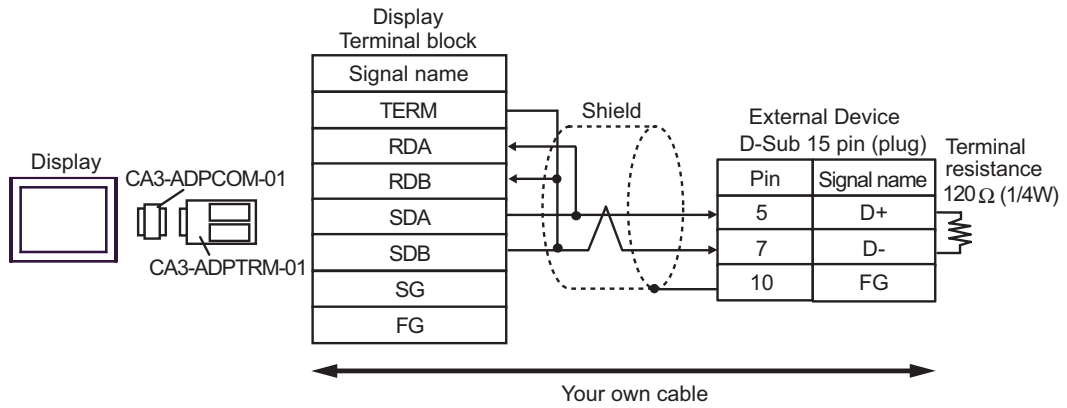
\*2 All GP models except the GP-3200 Series and AGP-3302B

\*3 Available only with a COM port that supports RS422/485 (2wire).

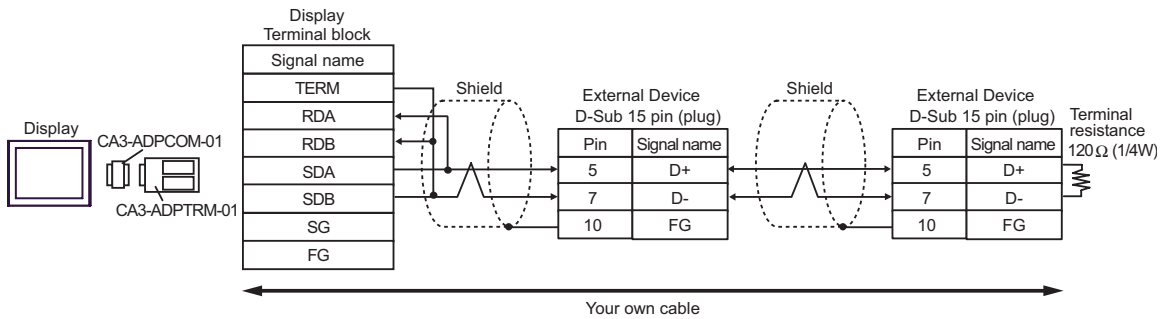
 ■ COM Port on IPC (page 6)

- A. When using the COM port conversion adapter (CA3-ADPCOM-01), the connector terminal block conversion adapter (CA3-ADPTRM-01) by Pro-face, and your own cable

• 1:1 Connection



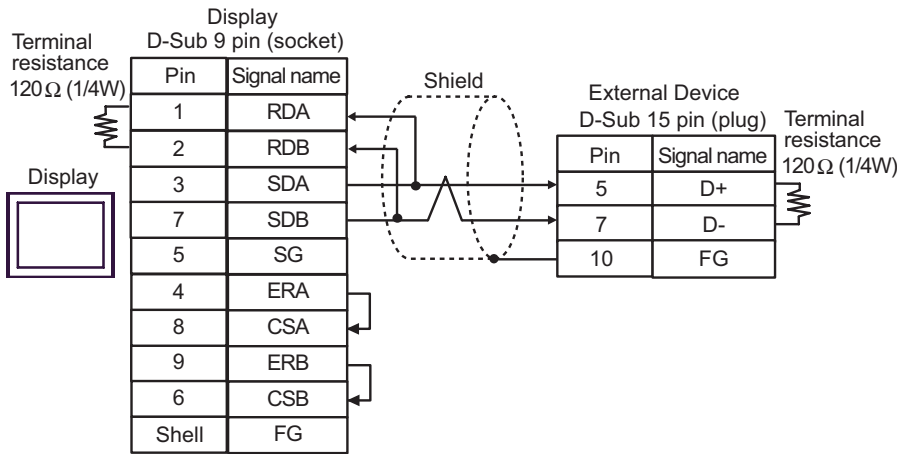
• 1:n Connection



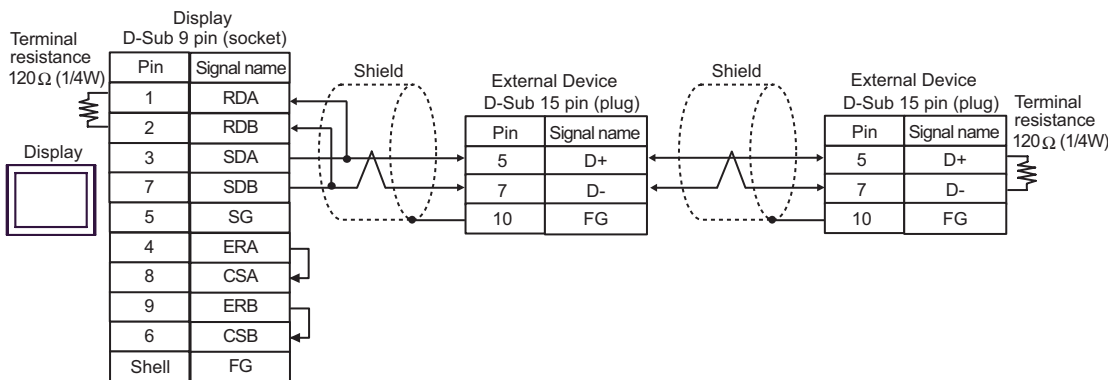


B. When using your own cable

• 1:1 Connection

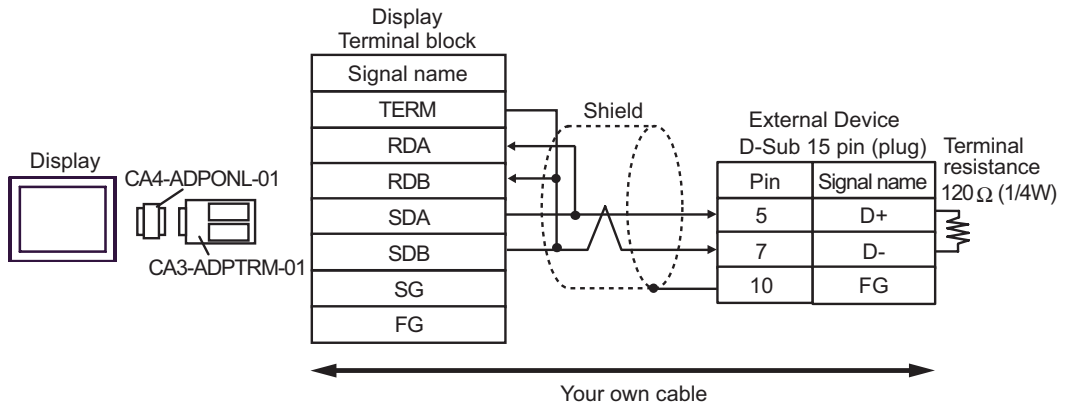


• 1:n Connection

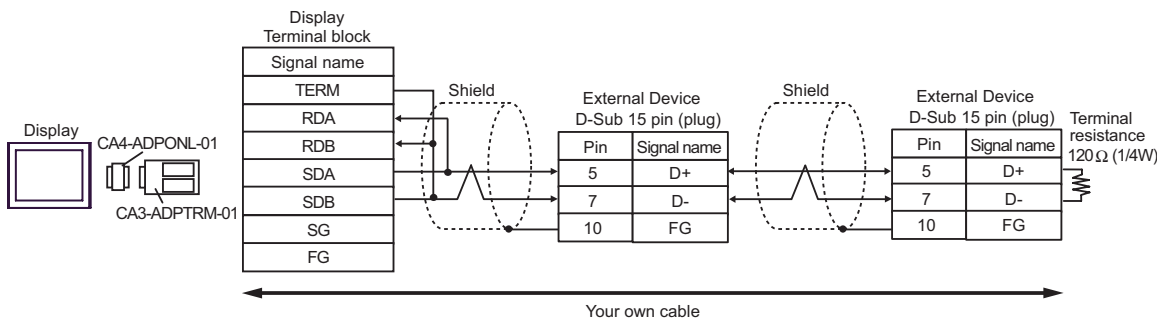


C. When using the online adapter (CA4-ADPONL-01), the connector terminal block conversion adapter (CA3-ADPTRM-01) by Pro-face, and your own cable

• 1:1 Connection

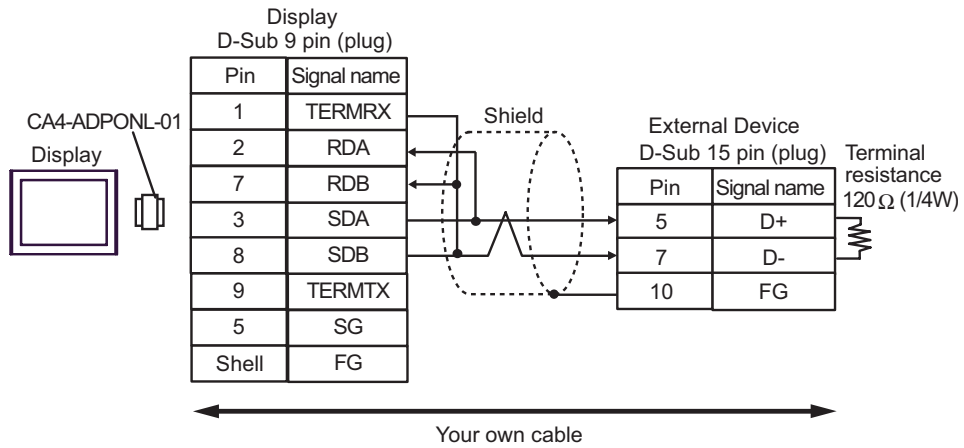


• 1:n Connection

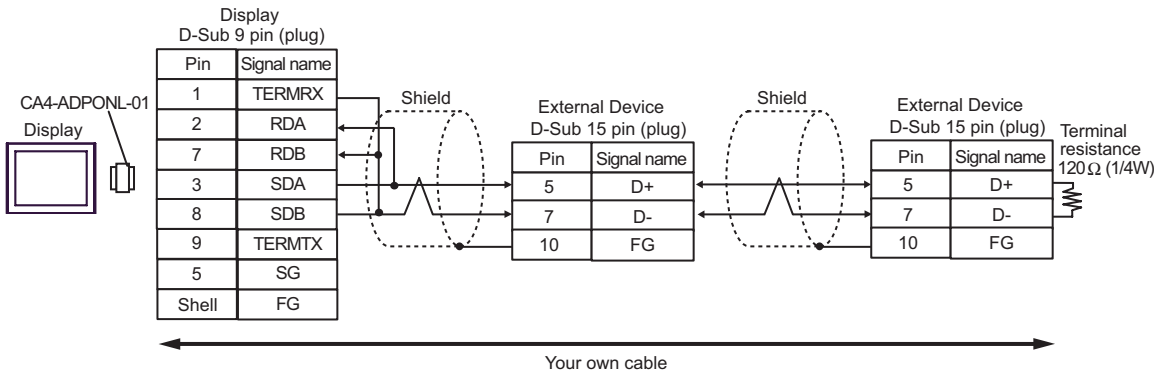


D. When using the online adapter (CA4-ADPONL-01) by Pro-face and your own cable

• 1:1 Connection

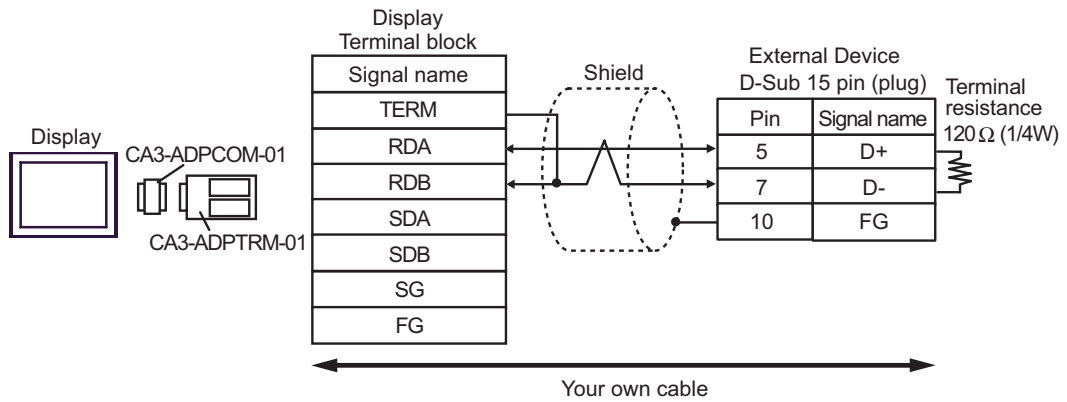


• 1:n Connection

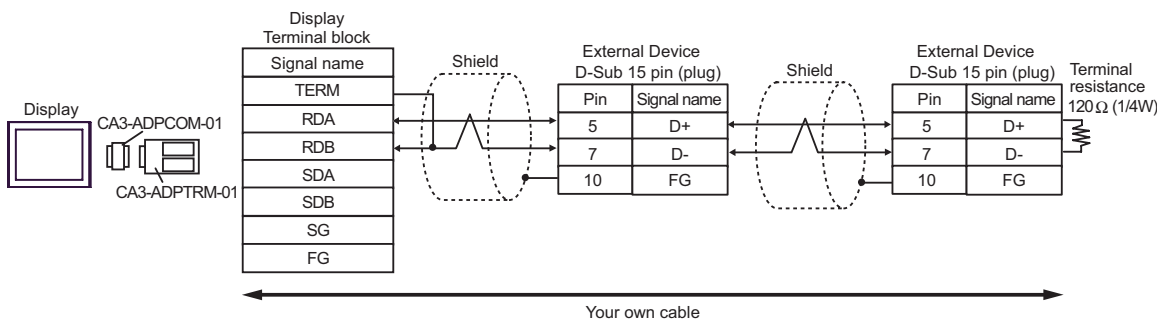


E. When using the COM port conversion adapter (CA3-ADPCOM-01), the connector terminal block conversion adapter (CA3-ADPTRM-01) by Pro-face, and your own cable

• 1:1 Connection

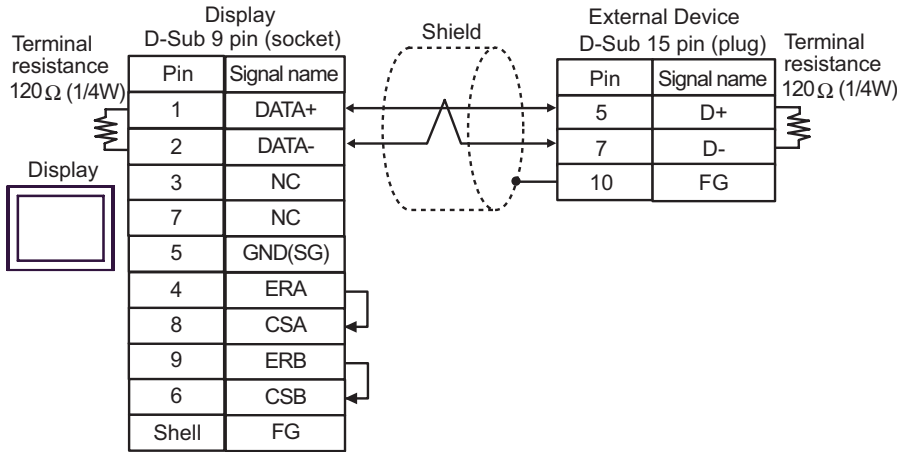


• 1:n Connection

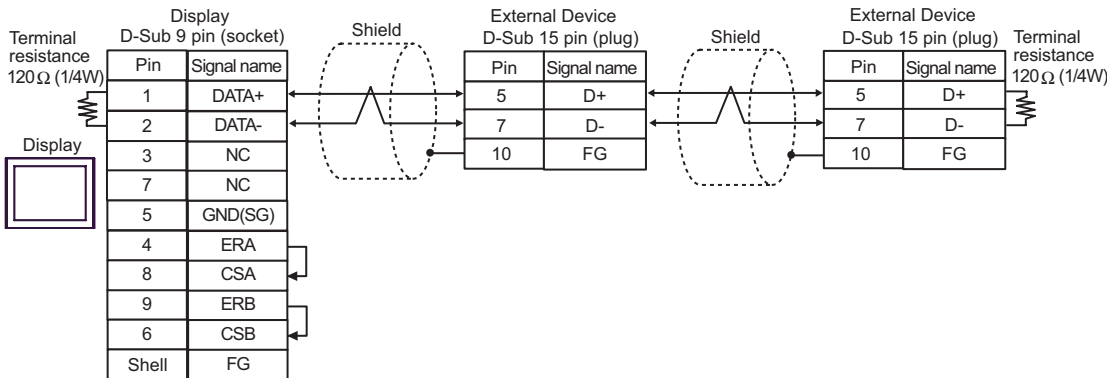


F. When using your own cable

• 1:1 Connection




• 1:n Connection

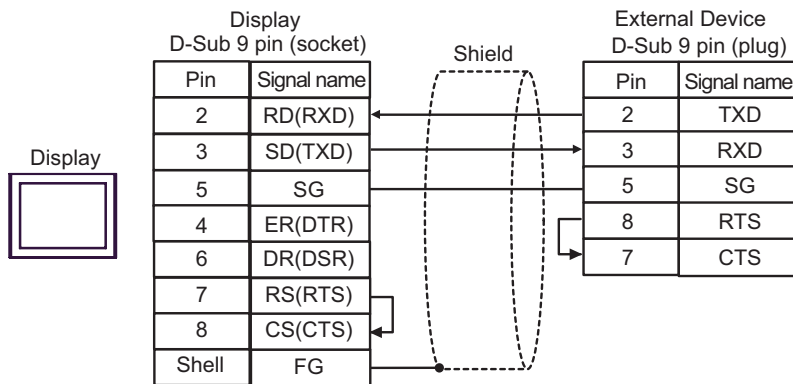


Cable Diagram 9

Display (Connection Port)	Cable	Remarks
GP (COM1) IPC*1 PC/AT	Your own cable	Cable length: 15m or less


\*1 Available only with a COM port that supports RS232C.

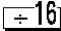
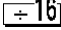
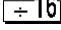
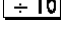
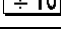
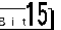

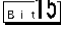

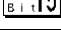
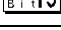
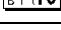
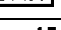

 ■ COM Port on IPC (page 6)



## 6 Supported Devices

The following table shows the range of supported device addresses. Available type and range of device may vary depending on the CPU. Consult the appropriate CPU manual before use.

 : This address can be specified as system data area.

Device	Bit Address	Word Address	32 bit	Remarks
Input Relay	X0000 - X0255	WX0000 - WX0240	<b>L/H</b>	
Output Relay	Y0000 - Y0255	WY0000 - WY0240		
Step Relay	S0000 - S0999	WS0000 - WS0976		
Internal Relay	M0000 - M1911	WM0000 - WM1888		
Special Relay	SM1912 - SM2001	WSM1912 - WSM1976		
Timer (Contact)	T0000 - T0255	-		
Counter (Contact)	C0000 - C0255	-		
Timer (Current Value)	-	TMR0000 - TMR0255	<b>L/H</b>	
Counter (Current Value)	-	CTR0000 - CTR0199		
High-speed Counter	-	HC0200 - HC0255		*1
Data Register *2	-	HR0000 - HR8071		 *3
Data Register *2	R00000.00 - R08071.15	R00000 - R08071		*3
Data Register	D00000.00 - D04095.15 (FBs) D00000.00 - D03071.15 (FBe/FBn)	D00000 - D04095 (FBs) D00000 - D03071 (FBe/FBn)		
Input Register	-	IR3840 - IR3903		
Output Register	-	OR3904 - OR3967		
Special Register	-	SR3968 - SR4167		
HSC Register	-	HSC4096 - HSC4127		
Calendar Register	-	RTC4128 - RTC4135		
HST Register	-	HST4152 - HST4154		
Read-only Register	-	ROR5000 - ROR8071		 *4
File Register *5	-	F00000 - F08191		

\*1 32-bit device

\*2 The External Device handles data registers HR and R as the same device. However, their bit-write operations differ as shown below. Select either register according to your system specifications.

- Device R allows data to be written to each specified bit.
- Device HR sets the 15 bits other than a specified bit to OFF(0).


- \*3 No data can be written to word addresses HR5000 to HR8071 and R05000 to R08071.
- \*4 Write disable
- \*5 The file register is supported only by the FBs Series.

---

**NOTE**

- Refer to the GP-Pro EX Reference Manual for system data area.

Cf. GP-Pro EX Reference Manual "Appendix 1.4 LS Area (only for direct access method)"

- Refer to the precautions on manual notation for icons in the table.  
 "Manual Symbols and Terminology"
-



## 7 Device Code and Address Code

Use device code and address code when you select "Device Type & Address" for the address type of the data display or other devices.

Device	Device Name	Device Code (HEX)	Address Code
Input Relay	X/WX	0082	Value of word address divided by 16
Output Relay	Y/WY	0083	Value of word address divided by 16
Step Relay	WS	0084	Value of word address divided by 16
Internal Relay	WM	0085	Value of word address divided by 16
Special Relay	WSM	0086	Value of (word address - 1912) divided by 16
Timer (Current Value)	TMR	0060	Word Address
Counter (Current Value)	CTR	0061	Word Address
High-speed Counter	HC	0062	Word Address
Data Register	HR	0000	Word Address
Data Register	R	0080	Word Address
Data Register	D	0081	Word Address
Input Register	IR	0001	Value of (word address - 3840)
Output Register	OR	0002	Value of (word address - 3904)
Special Register	SR	0003	Value of (word address - 3968)
HSC Register	HSC	0004	Value of (word address - 4096)
Calendar Register	RTC	0005	Value of (word address - 4128)
HST Register	HST	0008	Value of (word address - 4152)
Read-only Register	ROR	0006	Value of (word address - 5000)
File Register	F	0007	Word Address

## 8 Error Messages

Error messages are displayed on the Display screen as follows: "No.: Device Name: Error Message (Error Occurrence Area)". Each description is shown below.

Item	Description
No.	Error No.
Device Name	Name of the External Device where an error has occurred. Device name is the title of the External Device set with GP-Pro EX. (Initial value [PLC1])
Error Message	Displays messages related to an error that has occurred.
Error Occurrence Area	<p>Displays the IP address or device address of the External Device where an error has occurred, or error codes received from the External Device.</p> <p><b>NOTE</b></p> <ul style="list-style-type: none"> <li>• IP address is displayed as "IP address (Decimal): MAC address (Hex)".</li> <li>• Device address is displayed as "Address: Device address".</li> <li>• Received error codes are displayed as "Decimal [Hex]".</li> </ul>

Display Examples of Error Messages

"RHAA035: PLC1: Error has been responded for device write command (Error Code:1[01H])"

**NOTE**

- Refer to your External Device manual for details on received error codes.
- Refer to "When an error is displayed (Error Code List)" in "Maintenance/Troubleshooting manual" for details on the error messages common to the driver.