



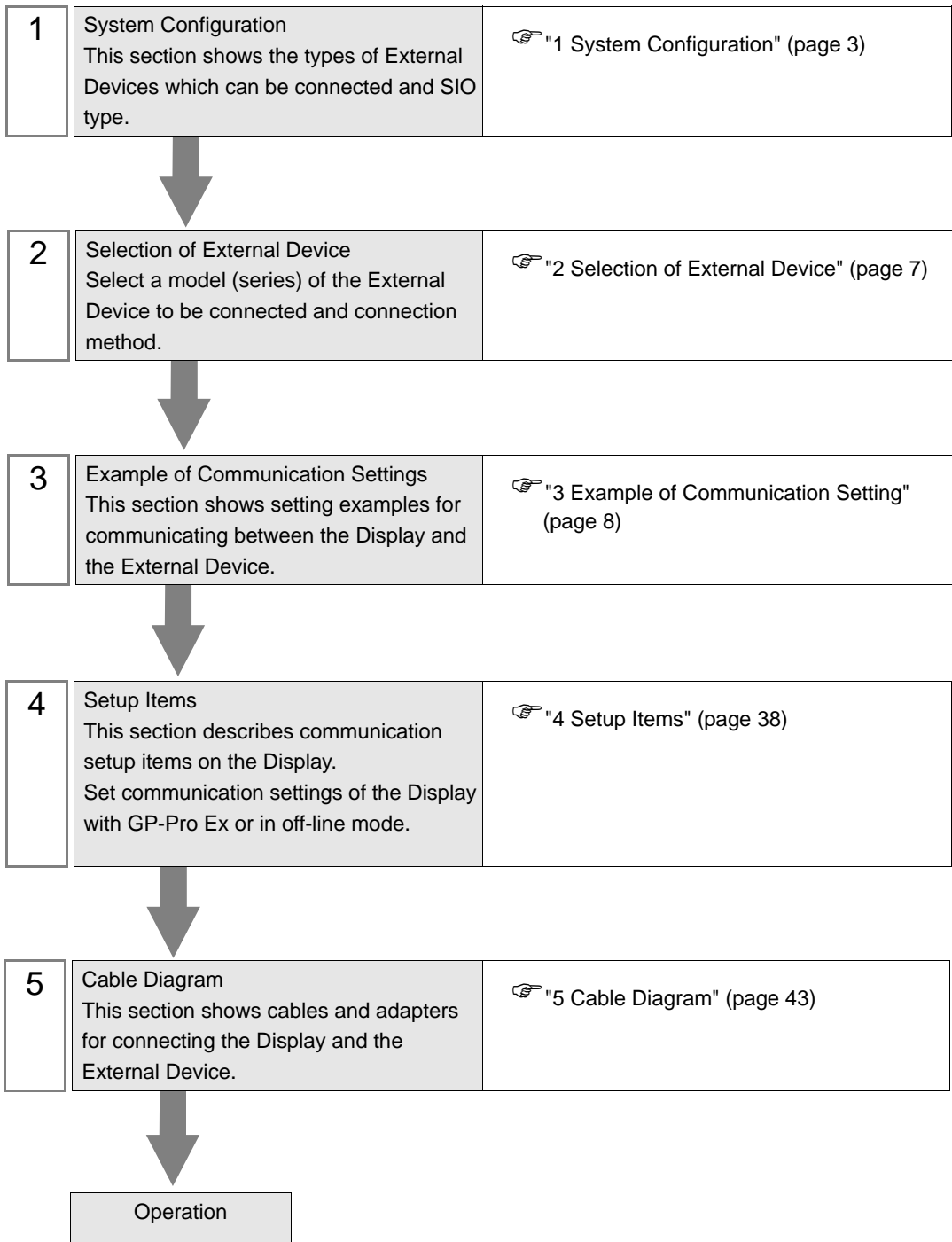
# Master-K Series Cnet Driver

1	System Configuration.....	3
2	Selection of External Device .....	7
3	Example of Communication Setting.....	8
4	Setup Items.....	38
5	Cable Diagram .....	43
6	Supported Device.....	55
7	Device Code and Address Code.....	56
8	Error Messages.....	57

## Introduction

This manual describes how to connect the Display and the External Device (target PLC).

In this manual, the connection procedure will be described by following the below sections:



# 1 System Configuration

The system configuration in the case when the External Device of LS Industrial Systems and the Display are connected is shown.

Series	CPU	Link I/F	SIO Type	Setting Example	Cable Diagram
K1000S	K7P-30AS	G3L-CUEA (K7F-CUEA)* <sup>1</sup>	RS232C	Setting Example 1 (page 8)	Cable Diagram 1 (page 43)
			RS422/485 (4 wire)	Setting Example 2 (page 10)	Cable Diagram 2 (page 44)
			RS422/485 (2 wire)	Setting Example 3 (page 12)	Cable Diagram 3 (page 48)
K300S	K4P-15AS	G4L-CUEA (K4F-CUEA)* <sup>1</sup>	RS232C	Setting Example 1 (page 8)	Cable Diagram 1 (page 43)
			RS422/485 (4 wire)	Setting Example 2 (page 10)	Cable Diagram 2 (page 44)
			RS422/485 (2 wire)	Setting Example 3 (page 12)	Cable Diagram 3 (page 48)
K200S	K3P-07AS K3P-07BS K3P-07CS	G6L-CUEB (K3F-CU2A)* <sup>1</sup>	RS232C	Setting Example 4 (page 14)	Cable Diagram 1 (page 43)
		G6L-CUEC (K3F-CU4A)* <sup>1</sup>	RS422/485 (4 wire)	Setting Example 5 (page 16)	Cable Diagram 2 (page 44)
			RS422/485 (2 wire)	Setting Example 6 (page 18)	Cable Diagram 3 (page 48)
K120S	K7M-DR(T)20U K7M-DR(T)30U K7M-DR(T)40U K7M-DR(T)60U K7M-DT20U K7M-DT30U K7M-DT40U K7M-DT60U	Port1 on CPU unit	RS232C	Setting Example 7 (page 20)	Cable Diagram 4 (page 51)
		Port2 on CPU unit	RS422/485 (2 wire)	Setting Example 8 (page 22)	Cable Diagram 5 (page 52)
		G7L-CUEB	RS232C	Setting Example 9 (page 24)	Cable Diagram 1 (page 43)
		G7L-CUEC	RS422/485 (4 wire)	Setting Example 10 (page 26)	Cable Diagram 2 (page 44)
			RS422/485 (2 wire)	Setting Example 11 (page 28)	Cable Diagram 3 (page 48)
K80S	K7M-DR10S(/DC) K7M-DR20S(/DC) K7M-DR30S(/DC) K7M-DR40S(/DC) K7M-DR60S(/DC) K7M-DT10S K7M-DT20S K7M-DT30S K7M-DT40S K7M-DT60S	Port on CPU unit	RS232C	Setting Example 12 (page 30)	Cable Diagram 4 (page 51)
		G7L-CUEB	RS232C	Setting Example 13 (page 32)	Cable Diagram 1 (page 43)
		G7L-CUEC	RS422/485 (4 wire)	Setting Example 14 (page 34)	Cable Diagram 2 (page 44)
			RS422/485 (2 wire)	Setting Example 15 (page 36)	Cable Diagram 3 (page 48)

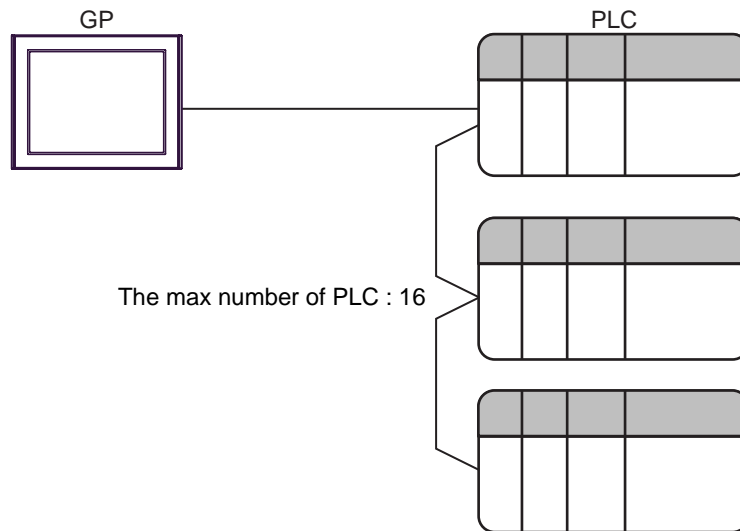
\*1 The module of parenthesis is a old name.

## ■ Connection Configuration

- 1:1 Connection



- 1:n Connection (RS422/485 (4 wire))



## ■ COM Port of IPC

When connecting IPC with External Device, the COM port which can be used changes with series and SIO type. Please refer to the manual of IPC for details.

### Usable port

Series	Usable port		
	RS-232C	RS-422/485(4 wire)	RS-422/485(2 wire)
PS-2000B	COM1 <sup>*1</sup> , COM2, COM3 <sup>*1</sup> , COM4	-	-
PS-3450A, PS-3451A	COM1, COM2 <sup>*1*2</sup>	COM2 <sup>*1*2</sup>	COM2 <sup>*1*2</sup>
PS-3650A, PS-3651A	COM1 <sup>*1</sup>	-	-
PS-3700A (Pentium®4-M) PS-3710A	COM1 <sup>*1</sup> , COM2 <sup>*1</sup> , COM3 <sup>*2</sup> , COM4	COM3 <sup>*2</sup>	COM3 <sup>*2</sup>
PS-3711A	COM1 <sup>*1</sup> , COM2 <sup>*2</sup>	COM2 <sup>*2</sup>	COM2 <sup>*2</sup>
PL-3000B	COM1 <sup>*1*2</sup> , COM2 <sup>*1</sup> , COM3, COM4	COM1 <sup>*1*2</sup>	COM1 <sup>*1*2</sup>

\*1 The RI/5V can be switched. Please switch with the change switch of IPC.

\*2 It is necessary to set up the SIO type with the Dip switch. Please set up as follows according to SIO type to be used.

### Dip switch setting: RS-232C

Dip switch	Setting	Description
1	OFF <sup>*1</sup>	Reserve (always OFF)
2	OFF	SIO type: RS-232C
3	OFF	
4	OFF	Output mode of SD (TXD) data: Always output
5	OFF	Terminal resistance (220Ω) insertion to SD (TXD): None
6	OFF	Terminal resistance (220Ω) insertion to RD (RXD): None
7	OFF	Short-circuit of SDA (TXA) and RDA (RXA): Does not Exist
8	OFF	Short-circuit of SDB (TXB) and RDB (RXB): Does not Exist
9	OFF	RS (RTS) Auto control mode: Disable
10	OFF	

\*1 It is necessary to turn ON the set value, only when using PS-3450A and PS-3451A.

## Dip switch setting: RS-422/485 (4 wire)

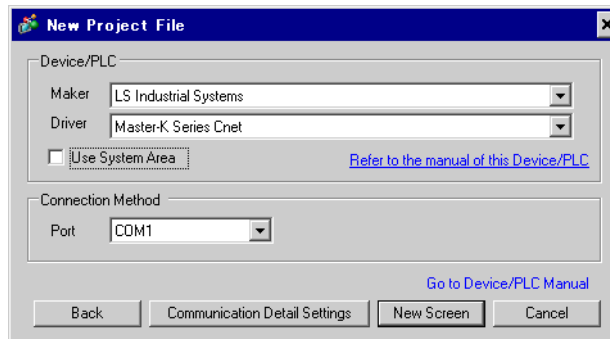
Dip switch	Setting	Description
1	OFF	Reserve (always OFF)
2	ON	SIO type: RS-422/485
3	ON	
4	OFF	Output mode of SD (TXD) data: Always output
5	OFF	Terminal resistance (220Ω) insertion to SD (TXD): None
6	OFF	Terminal resistance (220Ω) insertion to RD (RXD): None
7	OFF	Short-circuit of SDA (TXA) and RDA (RXA): Does not Exist
8	OFF	Short-circuit of SDB (TXB) and RDB (RXB): Does not Exist
9	OFF	RS (RTS) Auto control mode: Disable
10	OFF	

## Dip switch setting: RS-422/485 (2 wire)

Dip switch	Setting	Description
1	OFF	Reserve (always OFF)
2	ON	SIO type: RS-422/485
3	ON	
4	OFF	Output mode of SD (TXD) data: Always output
5	OFF	Terminal resistance (220Ω) insertion to SD (TXD): None
6	OFF	Terminal resistance (220Ω) insertion to RD (RXD): None
7	ON	Short-circuit of SDA (TXA) and RDA (RXA): Exist
8	ON	Short-circuit of SDB (TXB) and RDB (RXB): Exist
9	ON	RS (RTS) Auto control mode: Enable
10	ON	

## 2 Selection of External Device

Select the External Device to be connected to the Display.



Setup Items	Setup Description
Maker	Select the maker of the External Device to be connected. Select "LS Industrial Systems".
Driver	Select a model (series) of the External Device to be connected and connection method. Select "Master-K series Cnet". Check the External Device which can be connected in "Master-K series Cnet" in system configuration. ☞ "1 System Configuration" (page 3)
Use System Area	Check this option when you synchronize the system data area of Display and the device (memory) of External Device. When synchronized, you can use the ladder program of External Device to switch the display or display the window on the display. Cf. GP-Pro EX Reference Manual "Appendix 1.4 LS Area (only for direct access method)" This can be also set with GP-Pro EX or in off-line mode of Display. Cf. GP-Pro EX Reference Manual " 5.14.6 Setting Guide of [System Setting Window]■[Main Unit Settings] Settings Guide◆System Area Setting" Cf. Maintenance/Troubleshooting "2.14.1 Settings common to all Display models ◆System Area Settings"
Port	Select the Display port to be connected to the External Device.

### 3 Example of Communication Setting

Examples of communication settings of the Display and the External Device, recommended by Pro-face, are shown.

#### 3.1 Setting Example 1

##### ■ Settings of GP-Pro EX

##### ◆ Communication Settings

To display the setting screen, select [Device/PLC Settings] from [System setting window] in workspace.

Device/PLC 1

Summary [Change Device/PLC](#)

Maker LS Industrial Systems Driver Master-K Series Cnet Port COM1

Text Data Mode 2 [Change](#)

Communication Settings

SIO Type  RS232C  RS422/485(2wire)  RS422/485(4wire)

Speed 38400

Data Length  7  8

Parity  NONE  EVEN  ODD

Stop Bit  1  2

Flow Control  NONE  ER(DTR/CTS)  XON/XOFF

Timeout 3 (sec)

Retry 2

Wait To Send 0 (ms)

RI / VCC  RI  VCC

In the case of RS232C, you can select the 9th pin to RI (Input) or VCC (5V Power Supply). If you use the Digital's RS232C Isolation Unit, please select it to VCC.


Default


Device-Specific Settings

Allowable No. of Device/PLCs 16 Unit(s)

No.	Device Name	Settings
1	PLC1	Station=0

##### ◆ Device Setting

To display the setting screen, click  ([Setting]) of External Device you want to set from [Device-Specific Settings] of [Device/PLC Settings].

When you connect multiple External Device, click  from [Device-Specific Settings] of [Device/PLC Settings] to add another External Device.

Individual Device Settings

PLC1

Station 0

Default

OK (O) Cancel



## ■ Settings of External Device

Communication setting of external device by setup tool (Cnet Frame Editor).

Please refer to the manual of external device for more detail.

### ◆ Procedure

- 1 Connect RS-232C port on CPU unit of external device with the personal computer.

Refer to the manual of external device for the cable used.

- 2 Set Mode rotary SW in the Cnet module to "9" (On Line Mode), and turn on the power supply of external device again.

- 3 Start setup tool, and set the communication port.

Select [Port] of the [Option] menu, and set the port of external device connected with step 1 and the port of the personal computer.

- 4 Select [Connect] of the [Online] menu, and put it into the state that external device and personal computer can be communicated.

- 5 Set the communication setup of external device with setup tool.

Setup Items		Setup Description
Channel		RS232 side
Base Parameters	Station	00
	Type	Null Modem
	Baud Rate	38400
	Data Bit	8
	Parity	None
	Stop Bit	1

- 6 Select [Write] of the [Online] menu.

Set in the displayed dialog box, and click [Write].

Setup Items	Setup Description	Description
Slot No.	SLOT 0	Select the slot in which the Cnet module is installed.
Option	Basic Parameters	Select the written content. Select "Basic Parameters" here.

- 7 Select [Online Change Mode] of the [Online] menu.

Set in the displayed dialog box, and click [Write].

Setup Items	Setup Description	Description
Slot No.	SLOT 0	Select the slot in which the Cnet module is installed.
Channel	Stand Alone	
RS-232C	Dedicated Mode	

- 8 Select [Change RUN/STOP] of the [Online] menu, and put external device into the state of RUN.

Setup Items	Setup Description	Description
Slot No.	SLOT 0	Select the slot in which the Cnet module is installed.
Type	RS_232C	

- 9 Set Mode rotary SW in the Cnet module to "3" (Dedicated Mode), and turn on the power supply of external device again.

## 3.2 Setting Example 2

### ■ Settings of GP-Pro EX

#### ◆ Communication Settings

To display the setting screen, select [Device/PLC Settings] from [System setting window] in workspace.

#### ◆ Device Setting

To display the setting screen, click ([Setting]) of External Device you want to set from [Device-Specific Settings] of [Device/PLC Settings].

When you connect multiple External Device, click from [Device-Specific Settings] of [Device/PLC Settings] to add another External Device.

## ■ Settings of External Device

Communication setting of external device by setup tool (Cnet Frame Editor).

Please refer to the manual of external device for more detail.

### ◆ Procedure

- 1 Connect RS-232C port on CPU unit of external device with the personal computer.

Refer to the manual of external device for the cable used.

- 2 Set Mode rotary SW in the Cnet module to "9" (On Line Mode), and turn on the power supply of external device again.

- 3 Start setup tool, and set the communication port.

Select [Port] of the [Option] menu, and set the port of external device connected with step 1 and the port of the personal computer.

- 4 Select [Connect] of the [Online] menu, and put it into the state that external device and personal computer can be communicated.

- 5 Set the communication setup of external device with setup tool.

Setup Items		Setup Description
Channel		RS422 side
Base Parameters	Station	00
	Type	Null Modem
	Baud Rate	38400
	Data Bit	8
	Parity	None
	Stop Bit	1

- 6 Select [Write] of the [Online] menu.

Set in the displayed dialog box, and click [Write].

Setup Items	Setup Description	Description
Slot No.	SLOT 0	Select the slot in which the Cnet module is installed.
Option	Basic Parameters	Select the written content. Select "Basic Parameters" here.

- 7 Select [Online Change Mode] of the [Online] menu.

Set in the displayed dialog box, and click [Write].

Setup Items	Setup Description	Description
Slot No.	SLOT 0	Select the slot in which the Cnet module is installed.
Channel	Stand Alone	
RS-422	Dedicated Mode	

- 8 Select [Change RUN/STOP] of the [Online] menu, and put external device into the state of RUN.

Setup Items	Setup Description	Description
Slot No.	SLOT 0	Select the slot in which the Cnet module is installed.
Type	RS_422	

- 9 Set Mode rotary SW in the Cnet module to "3" (Dedicated Mode), and turn on the power supply of external device again.


### 3.3 Setting Example 3

#### ■ Settings of GP-Pro EX

##### ◆ Communication Settings

To display the setting screen, select [Device/PLC Settings] from [System setting window] in workspace.

##### ◆ Device Setting

To display the setting screen, click  ([Setting]) of External Device you want to set from [Device-Specific Settings] of [Device/PLC Settings].

When you connect multiple External Device, click  from [Device-Specific Settings] of [Device/PLC Settings] to add another External Device.

## ■ Settings of External Device

Communication setting of external device by setup tool (Cnet Frame Editor).

Please refer to the manual of external device for more detail.

### ◆ Procedure

- 1 Connect RS-232C port on CPU unit of external device with the personal computer.

Refer to the manual of external device for the cable used.

- 2 Set Mode rotary SW in the Cnet module to "9" (On Line Mode), and turn on the power supply of external device again.

- 3 Start setup tool, and set the communication port.

Select [Port] of the [Option] menu, and set the port of external device connected with step 1 and the port of the personal computer.

- 4 Select [Connect] of the [Online] menu, and put it into the state that external device and personal computer can be communicated.

- 5 Set the communication setup of external device with setup tool.

Setup Items		Setup Description
Channel		RS422 side
Base Parameters	Station	00
	Type	Null Modem
	Baud Rate	38400
	Data Bit	8
	Parity	None
	Stop Bit	1

- 6 Select [Write] of the [Online] menu.

Set in the displayed dialog box, and click [Write].

Setup Items	Setup Description	Description
Slot No.	SLOT 0	Select the slot in which the Cnet module is installed.
Option	Basic Parameters	Select the written content. Select "Basic Parameters" here.

- 7 Select [Online Change Mode] of the [Online] menu.

Set in the displayed dialog box, and click [Write].

Setup Items	Setup Description	Description
Slot No.	SLOT 0	Select the slot in which the Cnet module is installed.
Channel	Stand Alone	
RS-422	Dedicated Mode	

- 8 Select [Change RUN/STOP] of the [Online] menu, and put external device into the state of RUN.

Setup Items	Setup Description	Description
Slot No.	SLOT 0	Select the slot in which the Cnet module is installed.
Type	RS_422	

- 9 Set Mode rotary SW in the Cnet module to "3" (Dedicated Mode), and turn on the power supply of external device again.

## 3.4 Setting Example 4

### ■ Settings of GP-Pro EX

#### ◆ Communication Settings

To display the setting screen, select [Device/PLC Settings] from [System setting window] in workspace.

#### ◆ Device Setting

To display the setting screen, click ([Setting]) of External Device you want to set from [Device-Specific Settings] of [Device/PLC Settings].

When you connect multiple External Device, click from [Device-Specific Settings] of [Device/PLC Settings] to add another External Device.

## ■ Settings of External Device

Communication setting of external device by setup tool (Cnet Frame Editor).

Please refer to the manual of external device for more detail.

### ◆ Procedure

- 1 Connect RS-232C port on CPU unit of external device with the personal computer.

Refer to the manual of external device for the cable used.

- 2 Set Mode rotary SW in the Cnet module to "9" (On Line Mode), and turn on the power supply of external device again.

- 3 Start setup tool, and set the communication port.

Select [Port] of the [Option] menu, and set the port of external device connected with step 1 and the port of the personal computer.

- 4 Select [Connect] of the [Online] menu, and put it into the state that external device and personal computer can be communicated.

- 5 Set the communication setup of external device with setup tool.

Setup Items		Setup Description
Channel		RS232 side
Base Parameters	Station	00
	Type	Null Modem
	Baud Rate	38400
	Data Bit	8
	Parity	None
	Stop Bit	1

- 6 Select [Write] of the [Online] menu.

Set in the displayed dialog box, and click [Write].

Setup Items	Setup Description	Description
Slot No.	SLOT 0	Select the slot in which the Cnet module is installed.
Option	Basic Parameters	Select the written content. Select "Basic Parameters" here.

- 7 Select [Online Change Mode] of the [Online] menu.

Set in the displayed dialog box, and click [Write].

Setup Items	Setup Description	Description
Slot No.	SLOT 0	Select the slot in which the Cnet module is installed.
Channel	Stand Alone	
RS-232C	Dedicated Mode	

- 8 Select [Change RUN/STOP] of the [Online] menu, and put external device into the state of RUN.

Setup Items	Setup Description	Description
Slot No.	SLOT 0	Select the slot in which the Cnet module is installed.
Type	RS_232C	

- 9 Set Mode rotary SW in the Cnet module to "1" (Dedicated Mode), and turn on the power supply of external device again.

## 3.5 Setting Example 5

### ■ Settings of GP-Pro EX

#### ◆ Communication Settings

To display the setting screen, select [Device/PLC Settings] from [System setting window] in workspace.

Device/PLC 1

Summary [Change Device/PLC](#)

Maker  Driver  Port

Text Data Mode  [Change](#)

Communication Settings

SIO Type  RS232C  RS422/485(2wire)  RS422/485(4wire)

Speed

Data Length  7  8

Parity  NONE  EVEN  ODD

Stop Bit  1  2

Flow Control  NONE  ER(DTR/CTS)  XON/XOFF

Timeout  (sec)

Retry

Wait To Send  (ms)

RI / VCC  RI  VCC

In the case of RS232C, you can select the 9th pin to RI (Input) or VCC (5V Power Supply). If you use the Digital's RS232C Isolation Unit, please select it to VCC.

Device-Specific Settings

Allowable No. of Device/PLCs: 16 Unit(s)

No.	Device Name	Settings
1	PLC1	Station=0

#### ◆ Device Setting

To display the setting screen, click ([Setting]) of External Device you want to set from [Device-Specific Settings] of [Device/PLC Settings].

When you connect multiple External Device, click from [Device-Specific Settings] of [Device/PLC Settings] to add another External Device.

Individual Device Settings

PLC1

Station



## ■ Settings of External Device

Communication setting of external device by setup tool (Cnet Frame Editor).

Please refer to the manual of external device for more detail.

### ◆ Procedure

- 1 Connect RS-232C port on CPU unit of external device with the personal computer.

Refer to the manual of external device for the cable used.

- 2 Set Mode rotary SW in the Cnet module to "9" (On Line Mode), and turn on the power supply of external device again.

- 3 Start setup tool, and set the communication port.

Select [Port] of the [Option] menu, and set the port of external device connected with step 1 and the port of the personal computer.

- 4 Select [Connect] of the [Online] menu, and put it into the state that external device and personal computer can be communicated.

- 5 Set the communication setup of external device with setup tool.

Setup Items		Setup Description
Channel		RS422 side
Base Parameters	Station	00
	Type	Null Modem
	Baud Rate	38400
	Data Bit	8
	Parity	None
	Stop Bit	1

- 6 Select [Write] of the [Online] menu.

Set in the displayed dialog box, and click [Write].

Setup Items	Setup Description	Description
Slot No.	SLOT 0	Select the slot in which the Cnet module is installed.
Option	Basic Parameters	Select the written content. Select "Basic Parameters" here.

- 7 Select [Online Change Mode] of the [Online] menu.

Set in the displayed dialog box, and click [Write].

Setup Items	Setup Description	Description
Slot No.	SLOT 0	Select the slot in which the Cnet module is installed.
Channel	Stand Alone	
RS-422	Dedicated Mode	

- 8 Select [Change RUN/STOP] of the [Online] menu, and put external device into the state of RUN.

Setup Items	Setup Description	Description
Slot No.	SLOT 0	Select the slot in which the Cnet module is installed.
Type	RS_422	

- 9 Set Mode rotary SW in the Cnet module to "1" (Dedicated Mode), and turn on the power supply of external device again.


## 3.6 Setting Example 6

### ■ Settings of GP-Pro EX

#### ◆ Communication Settings

To display the setting screen, select [Device/PLC Settings] from [System setting window] in workspace.

#### ◆ Device Setting

To display the setting screen, click  ([Setting]) of External Device you want to set from [Device-Specific Settings] of [Device/PLC Settings].

When you connect multiple External Device, click  from [Device-Specific Settings] of [Device/PLC Settings] to add another External Device.

## ■ Settings of External Device

Communication setting of external device by setup tool (Cnet Frame Editor).

Please refer to the manual of external device for more detail.

### ◆ Procedure

- 1 Connect RS-232C port on CPU unit of external device with the personal computer.

Refer to the manual of external device for the cable used.

- 2 Set Mode rotary SW in the Cnet module to "9" (On Line Mode), and turn on the power supply of external device again.

- 3 Start setup tool, and set the communication port.

Select [Port] of the [Option] menu, and set the port of external device connected with step 1 and the port of the personal computer.

- 4 Select [Connect] of the [Online] menu, and put it into the state that external device and personal computer can be communicated.

- 5 Set the communication setup of external device with setup tool.

Setup Items		Setup Description
Channel		RS422 side
Base Parameters	Station	00
	Type	Null Modem
	Baud Rate	38400
	Data Bit	8
	Parity	None
	Stop Bit	1

- 6 Select [Write] of the [Online] menu.

Set in the displayed dialog box, and click [Write].

Setup Items	Setup Description	Description
Slot No.	SLOT 0	Select the slot in which the Cnet module is installed.
Option	Basic Parameters	Select the written content. Select "Basic Parameters" here.

- 7 Select [Online Change Mode] of the [Online] menu.

Set in the displayed dialog box, and click [Write].

Setup Items	Setup Description	Description
Slot No.	SLOT 0	Select the slot in which the Cnet module is installed.
Channel	Stand Alone	
RS-422	Dedicated Mode	

- 8 Select [Change RUN/STOP] of the [Online] menu, and put external device into the state of RUN.

Setup Items	Setup Description	Description
Slot No.	SLOT 0	Select the slot in which the Cnet module is installed.
Type	RS_422	

- 9 Set Mode rotary SW in the Cnet module to "1" (Dedicated Mode), and turn on the power supply of external device again.

## 3.7 Setting Example 7

### ■ Settings of GP-Pro EX

#### ◆ Communication Settings

To display the setting screen, select [Device/PLC Settings] from [System setting window] in workspace.

#### ◆ Device Setting

To display the setting screen, click ([Setting]) of External Device you want to set from [Device-Specific Settings] of [Device/PLC Settings].

When you connect multiple External Device, click from [Device-Specific Settings] of [Device/PLC Settings] to add another External Device.

## ■ Settings of External Device

Communication setting of external device by ladder software (KGL\_WIN).

Please refer to the manual of external device for more detail.

### ◆ Procedure

- 1 Connect RS-232C port on CPU unit of external device with the personal computer.  
Turn ON the [BUILT\_IN CNET] switch.  
Refer to the manual of external device for the cable used.
- 2 Start the ladder software, and make the project newly.  
Select "120S" from [MK\_S] of [PLC Type].
- 3 Double-click [Parameter] of the tree view and display the [Parameter] dialog box.
- 4 Click the [CommCh0] tab, and set the communication setup of external device.

Setup Items		Setup Description
Communication		Enable
Communication Method	Station Number	0
	Baud Rate	38400
	Data Bit	8
	Parity	None
	Stop Bit	1
	Communication Channel	RS232C Null Modem or RS422/485
Protocol and Mode	Dedicated	Slave

- 5 Select [Connect] of the [Online] menu.
- 6 Select [Write[KGL\_WIN=>PLC]] of the [Online] menu, and download the communication setup of external device.

---

**NOTE** • When [Write[KGL\_WIN=>PLC]] cannot be selected, it is necessary to stop driving external device.  
Select [Change Mode] - [Stop] of the [Online] menu.

---


## 3.8 Setting Example 8

### ■ Settings of GP-Pro EX

#### ◆ Communication Settings

To display the setting screen, select [Device/PLC Settings] from [System setting window] in workspace.

#### ◆ Device Setting

To display the setting screen, click  ([Setting]) of External Device you want to set from [Device-Specific Settings] of [Device/PLC Settings].

When you connect multiple External Device, click  from [Device-Specific Settings] of [Device/PLC Settings] to add another External Device.

## ■ Settings of External Device

Communication setting of external device by ladder software (KGL\_WIN).

Please refer to the manual of external device for more detail.

### ◆ Procedure

- 1 Connect RS-485 port on CPU unit of external device with the personal computer.  
Refer to the manual of external device for the cable used.
- 2 Start the ladder software, and make the project newly.  
Select "120S" from [MK\_S] of [PLC Type].
- 3 Double-click [Parameter] of the tree view and display the [Parameter] dialog box.
- 4 Click the [CommCh1] tab, and set the communication setup of external device.

Setup Items		Setup Description
Communication		Enable
Communication Method	Station Number	0
	Baud Rate	38400
	Data Bit	8
	Parity	None
	Stop Bit	1
	Communication Channel	RS485
Protocol and Mode	Dedicated	Slave

- 5 Select [Connect] of the [Online] menu.
- 6 Select [Write[KGL\_WIN=>PLC]] of the [Online] menu, and download the communication setup of external device.

#### **NOTE**

- When [Write[KGL\_WIN=>PLC]] cannot be selected, it is necessary to stop driving external device.  
Select [Change Mode] - [Stop] of the [Online] menu.

## 3.9 Setting Example 9

### ■ Settings of GP-Pro EX

#### ◆ Communication Settings

To display the setting screen, select [Device/PLC Settings] from [System setting window] in workspace.

Device/PLC 1

Summary [Change Device/PLC](#)

Maker  Driver  Port

Text Data Mode  [Change](#)

Communication Settings

SIO Type  RS232C  RS422/485(2wire)  RS422/485(4wire)

Speed

Data Length  7  8

Parity  NONE  EVEN  ODD

Stop Bit  1  2

Flow Control  NONE  ER(DTR/CTS)  XON/XOFF

Timeout  (sec)

Retry

Wait To Send  (ms)

RI / VCC  RI  VCC

In the case of RS232C, you can select the 9th pin to RI (Input) or VCC (5V Power Supply). If you use the Digital's RS232C Isolation Unit, please select it to VCC.

Device-Specific Settings

Allowable No. of Device/PLCs: 16 Unit(s)

No.	Device Name	Settings
1	PLC1	Station=0

#### ◆ Device Setting

To display the setting screen, click ([Setting]) of External Device you want to set from [Device-Specific Settings] of [Device/PLC Settings].

When you connect multiple External Device, click from [Device-Specific Settings] of [Device/PLC Settings] to add another External Device.

Individual Device Settings

PLC1

Station



## ■ Settings of External Device

Communication setting of external device by ladder software (KGL\_WIN).

Please refer to the manual of external device for more detail.

### ◆ Procedure

- 1 Connect the link I/F and the personal computer.  
Turn OFF the [BUILT\_IN CNET] switch.  
Refer to the manual of external device for the cable used.
- 2 Start the ladder software, and make the project newly.  
Select "120S" from [MK\_S] of [PLC Type].
- 3 Double-click [Parameter] of the tree view and display the [Parameter] dialog box.
- 4 Click the [CommCh0] tab, and set the communication setup of external device.

Setup Items		Setup Description
Communication		Enable
Communication Method	Station Number	0
	Baud Rate	38400
	Data Bit	8
	Parity	None
	Stop Bit	1
	Communication Channel	RS232C Null Modem or RS422/485
Protocol and Mode	Dedicated	Slave

- 5 Select [Connect] of the [Online] menu.
- 6 Select [Write[KGL\_WIN=>PLC]] of the [Online] menu, and download the communication setup of external device.

---

**NOTE** • When [Write[KGL\_WIN=>PLC]] cannot be selected, it is necessary to stop driving external device.  
Select [Change Mode] - [Stop] of the [Online] menu.

---


### 3.10 Setting Example 10

#### ■ Settings of GP-Pro EX

##### ◆ Communication Settings

To display the setting screen, select [Device/PLC Settings] from [System setting window] in workspace.

##### ◆ Device Setting

To display the setting screen, click  ([Setting]) of External Device you want to set from [Device-Specific Settings] of [Device/PLC Settings].

When you connect multiple External Device, click  from [Device-Specific Settings] of [Device/PLC Settings] to add another External Device.

## ■ Settings of External Device

Communication setting of external device by ladder software (KGL\_WIN).

Please refer to the manual of external device for more detail.

### ◆ Procedure

- 1 Connect the link I/F and the personal computer.  
Turn OFF the [BUILT\_IN CNET] switch.  
Refer to the manual of external device for the cable used.
- 2 Start the ladder software, and make the project newly.  
Select "120S" from [MK\_S] of [PLC Type].
- 3 Double-click [Parameter] of the tree view and display the [Parameter] dialog box.
- 4 Click the [CommCh0] tab, and set the communication setup of external device.

Setup Items		Setup Description
Communication		Enable
Communication Method	Station Number	0
	Baud Rate	38400
	Data Bit	8
	Parity	None
	Stop Bit	1
	Communication Channel	RS232C Null Modem or RS422/485
Protocol and Mode	Dedicated	Slave

- 5 Select [Connect] of the [Online] menu.
- 6 Select [Write[KGL\_WIN=>PLC]] of the [Online] menu, and download the communication setup of external device.

---

**NOTE** • When [Write[KGL\_WIN=>PLC]] cannot be selected, it is necessary to stop driving external device.  
Select [Change Mode] - [Stop] of the [Online] menu.

---


### 3.11 Setting Example 11

#### ■ Settings of GP-Pro EX

##### ◆ Communication Settings

To display the setting screen, select [Device/PLC Settings] from [System setting window] in workspace.

##### ◆ Device Setting

To display the setting screen, click  ([Setting]) of External Device you want to set from [Device-Specific Settings] of [Device/PLC Settings].

When you connect multiple External Device, click  from [Device-Specific Settings] of [Device/PLC Settings] to add another External Device.

## ■ Settings of External Device

Communication setting of external device by ladder software (KGL\_WIN).

Please refer to the manual of external device for more detail.

### ◆ Procedure

- 1 Connect the link I/F and the personal computer.  
Turn OFF the [BUILT\_IN CNET] switch.  
Refer to the manual of external device for the cable used.
- 2 Start the ladder software, and make the project newly.  
Select "120S" from [MK\_S] of [PLC Type].
- 3 Double-click [Parameter] of the tree view and display the [Parameter] dialog box.
- 4 Click the [CommCh0] tab, and set the communication setup of external device.

Setup Items		Setup Description
Communication		Enable
Communication Method	Station Number	0
	Baud Rate	38400
	Data Bit	8
	Parity	None
	Stop Bit	1
	Communication Channel	RS232C Null Modem or RS422/485
Protocol and Mode	Dedicated	Slave

- 5 Select [Connect] of the [Online] menu.
- 6 Select [Write[KGL\_WIN=>PLC]] of the [Online] menu, and download the communication setup of external device.

---

**NOTE** • When [Write[KGL\_WIN=>PLC]] cannot be selected, it is necessary to stop driving external device.  
Select [Change Mode] - [Stop] of the [Online] menu.

---

## 3.12 Setting Example 12

### ■ Settings of GP-Pro EX

#### ◆ Communication Settings

To display the setting screen, select [Device/PLC Settings] from [System setting window] in workspace.

#### ◆ Device Setting

To display the setting screen, click ([Setting]) of External Device you want to set from [Device-Specific Settings] of [Device/PLC Settings].

When you connect multiple External Device, click from [Device-Specific Settings] of [Device/PLC Settings] to add another External Device.

## ■ Settings of External Device

Communication setting of external device by ladder software (KGL\_WIN).

Please refer to the manual of external device for more detail.

### ◆ Procedure

- 1 Connect RS-232C port on CPU unit of external device with the personal computer.  
Turn ON the [BUILT\_IN CNET] switch.  
Refer to the manual of external device for the cable used.
- 2 Start the ladder software, and make the project newly.  
Select "80S" from [MK\_S] of [PLC Type].
- 3 Double-click [Parameter] of the tree view and display the [Parameter] dialog box.
- 4 Click the [Comm] tab, and set the communication setup of external device.

Setup Items		Setup Description
Communication		Enable
Communication Method	Station Number	0
	Baud Rate	38400
	Data Bit	8
	Parity	None
	Stop Bit	1
	Communication Channel	RS232C Null Modem or RS422/485
Protocol and Mode	Dedicated	Slave

- 5 Select [Connect] of the [Online] menu.
- 6 Select [Write[KGL\_WIN=>PLC]] of the [Online] menu, and download the communication setup of external device.

---

**NOTE** • When [Write[KGL\_WIN=>PLC]] cannot be selected, it is necessary to stop driving external device.  
Select [Change Mode] - [Stop] of the [Online] menu.

---


### 3.13 Setting Example 13

#### ■ Settings of GP-Pro EX

##### ◆ Communication Settings

To display the setting screen, select [Device/PLC Settings] from [System setting window] in workspace.

##### ◆ Device Setting

To display the setting screen, click  ([Setting]) of External Device you want to set from [Device-Specific Settings] of [Device/PLC Settings].

When you connect multiple External Device, click  from [Device-Specific Settings] of [Device/PLC Settings] to add another External Device.



## ■ Settings of External Device

Communication setting of external device by ladder software (KGL\_WIN).

Please refer to the manual of external device for more detail.

### ◆ Procedure

- 1 Connect the link I/F and the personal computer.  
Turn OFF the [BUILT\_IN CNET] switch.  
Refer to the manual of external device for the cable used.
- 2 Start the ladder software, and make the project newly.  
Select "80S" from [MK\_S] of [PLC Type].
- 3 Double-click [Parameter] of the tree view and display the [Parameter] dialog box.
- 4 Click the [Comm] tab, and set the communication setup of external device.

Setup Items		Setup Description
Communication		Enable
Communication Method	Station Number	0
	Baud Rate	38400
	Data Bit	8
	Parity	None
	Stop Bit	1
	Communication Channel	RS232C Null Modem or RS422/485
Protocol and Mode	Dedicated	Slave

- 5 Select [Connect] of the [Online] menu.
- 6 Select [Write[KGL\_WIN=>PLC]] of the [Online] menu, and download the communication setup of external device.

---

**NOTE** • When [Write[KGL\_WIN=>PLC]] cannot be selected, it is necessary to stop driving external device.  
Select [Change Mode] - [Stop] of the [Online] menu.

---

### 3.14 Setting Example 14

#### ■ Settings of GP-Pro EX

##### ◆ Communication Settings

To display the setting screen, select [Device/PLC Settings] from [System setting window] in workspace.

##### ◆ Device Setting

To display the setting screen, click ([Setting]) of External Device you want to set from [Device-Specific Settings] of [Device/PLC Settings].

When you connect multiple External Device, click from [Device-Specific Settings] of [Device/PLC Settings] to add another External Device.

## ■ Settings of External Device

Communication setting of external device by ladder software (KGL\_WIN).

Please refer to the manual of external device for more detail.

### ◆ Procedure

- 1 Connect the link I/F and the personal computer.  
Turn OFF the [BUILT\_IN CNET] switch.  
Refer to the manual of external device for the cable used.
- 2 Start the ladder software, and make the project newly.  
Select "80S" from [MK\_S] of [PLC Type].
- 3 Double-click [Parameter] of the tree view and display the [Parameter] dialog box.
- 4 Click the [Comm] tab, and set the communication setup of external device.

Setup Items		Setup Description
Communication		Enable
Communication Method	Station Number	0
	Baud Rate	38400
	Data Bit	8
	Parity	None
	Stop Bit	1
	Communication Channel	RS232C Null Modem or RS422/485
Protocol and Mode	Dedicated	Slave

- 5 Select [Connect] of the [Online] menu.
- 6 Select [Write[KGL\_WIN=>PLC]] of the [Online] menu, and download the communication setup of external device.

---

**NOTE** • When [Write[KGL\_WIN=>PLC]] cannot be selected, it is necessary to stop driving external device.  
Select [Change Mode] - [Stop] of the [Online] menu.

---


### 3.15 Setting Example 15


#### ■ Settings of GP-Pro EX

##### ◆ Communication Settings

To display the setting screen, select [Device/PLC Settings] from [System setting window] in workspace.

##### ◆ Device Setting

To display the setting screen, click  ([Setting]) of External Device you want to set from [Device-Specific Settings] of [Device/PLC Settings].

When you connect multiple External Device, click  from [Device-Specific Settings] of [Device/PLC Settings] to add another External Device.

## ■ Settings of External Device

Communication setting of external device by ladder software (KGL\_WIN).

Please refer to the manual of external device for more detail.

### ◆ Procedure

- 1 Connect the link I/F and the personal computer.  
Turn OFF the [BUILT\_IN CNET] switch.  
Refer to the manual of external device for the cable used.
- 2 Start the ladder software, and make the project newly.  
Select "80S" from [MK\_S] of [PLC Type].
- 3 Double-click [Parameter] of the tree view and display the [Parameter] dialog box.
- 4 Click the [Comm] tab, and set the communication setup of external device.

Setup Items		Setup Description
Communication		Enable
Communication Method	Station Number	0
	Baud Rate	38400
	Data Bit	8
	Parity	None
	Stop Bit	1
	Communication Channel	RS232C Null Modem or RS422/485
Protocol and Mode	Dedicated	Slave

- 5 Select [Connect] of the [Online] menu.
- 6 Select [Write[KGL\_WIN=>PLC]] of the [Online] menu, and download the communication setup of external device.

---

**NOTE** • When [Write[KGL\_WIN=>PLC]] cannot be selected, it is necessary to stop driving external device.  
Select [Change Mode] - [Stop] of the [Online] menu.

---

## 4 Setup Items

Set communication settings of the Display with GP-Pro EX or in off-line mode of the Display.

The setting of each parameter must be identical to that of External Device.

☞ "3 Example of Communication Setting" (page 8)

### 4.1 Setup Items in GP-Pro EX

#### ■ Communication Settings

To display the setting screen, select [Device/PLC Settings] from [System setting window] in workspace.

Device/PLC 1

Summary [Change Device/PLC](#)

Maker  Driver  Port

Text Data Mode  [Change](#)

Communication Settings

SIO Type  RS232C  RS422/485(2wire)  RS422/485(4wire)

Speed

Data Length  7  8

Parity  NONE  EVEN  ODD

Stop Bit  1  2

Flow Control  NONE  ER(DTR/CTS)  XON/XOFF

Timeout  (sec)

Retry

Wait To Send  (ms)

RI / VCC  RI  VCC

In the case of RS232C, you can select the 9th pin to RI (Input) or VCC (5V Power Supply). If you use the Digital's RS232C Isolation Unit, please select it to VCC.


Device-Specific Settings

Allowable No. of Device/PLCs 16 Unit(s)

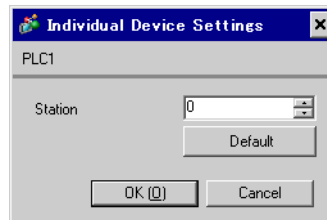
No.	Device Name	Settings
1	PLC1	Station=0

Setup Items	Setup Description
SIO Type	Select the SIO type to communicate with the External Device.
Speed	Select speed between the External Device and the Display.
Data Length	Select data length.
Parity	Select how to check parity.
Stop Bit	Select stop bit length.
Flow Control	Display the communication control method to prevent overflow of transmission and reception data.
Timeout	Use an integer from 1 to 127 to enter the time (s) for which the Display waits for the response from the External Device.
Retry	In case of no response from the External Device, use an integer from 0 to 255 to enter how many times the Display retransmits the command.
Wait To Send	Use an integer from 0 to 255 to enter standby time (ms) for the Display from receiving packets to transmitting next commands.
RI/VCC	You can switch RI/VCC of the 9th pin when you select RS232C for SIO type. It is necessary to change RI/5V by changeover switch of IPC when connect with IPC. Please refer to the manual of the IPC for more detail.

### ◆ Device Setting

To display the setting screen, click  ([Setting]) of External Device you want to set from [Device-Specific Settings] of [Device/PLC Settings].

When you connect multiple External Device, click  from [Device-Specific Settings] of [Device/PLC Settings] to add another External Device



Setup Items	Setup Description
Station	Use an integer from 1 to 31 to enter the Station No. of the External Device. (Initial value [0])

## 4.2 Setup Items in Off-Line Mode

- NOTE** • Please refer to Maintenance/Troubleshooting for more information on how to enter off-line mode or about operation.  
Cf. Maintenance/Troubleshooting "2.2 Offline Mode"

### ◆ Communication Settings

To display the setting screen, touch [Device/PLC Settings] from [Peripheral Settings] in off-line mode. Touch the External Device you want to set from the displayed list.

Comm.	Device	Option		
Master-K Series Cnet			[COM1]	Page 1/1
SIO Type	RS232C			
Speed	38400			
Data Length	<input type="radio"/> 7 <input checked="" type="radio"/> 8			
Parity	<input checked="" type="radio"/> NONE <input type="radio"/> EVEN <input type="radio"/> ODD			
Stop Bit	<input checked="" type="radio"/> 1 <input type="radio"/> 2			
Flow Control	NONE			
Timeout(s)	3			
Retry	2			
Wait To Send(ms)	0			
	Exit		Back	2006/05/15 11:28:50

Setup Items	Setup Description
SIO Type	Select the SIO type to communicate with the External Device. <b>IMPORTANT</b> To make the communication settings correctly, confirm the serial interface specifications of Display unit for [SIO Type]. We cannot guarantee the operation if a communication type that the serial interface does not support is specified. For details concerning the serial interface specifications, refer to the manual for Display unit.
Speed	Select speed between the External Device and the Display.
Data Length	Select data length.
Parity	Select how to check parity.
Stop Bit	Select stop bit length.
Flow Control	Display the communication control method to prevent overflow of transmission and reception data.
Timeout	Use an integer from 1 to 127 to enter the time (s) for which the Display waits for the response from the External Device.



Setup Items	Setup Description
Retry	In case of no response from the External Device, use an integer from 0 to 255 to enter how many times the Display retransmits the command.
Wait To Send	Use an integer from 0 to 255 to enter standby time (ms) for the Display from receiving packets to transmitting next commands.

### ■ Device Setting

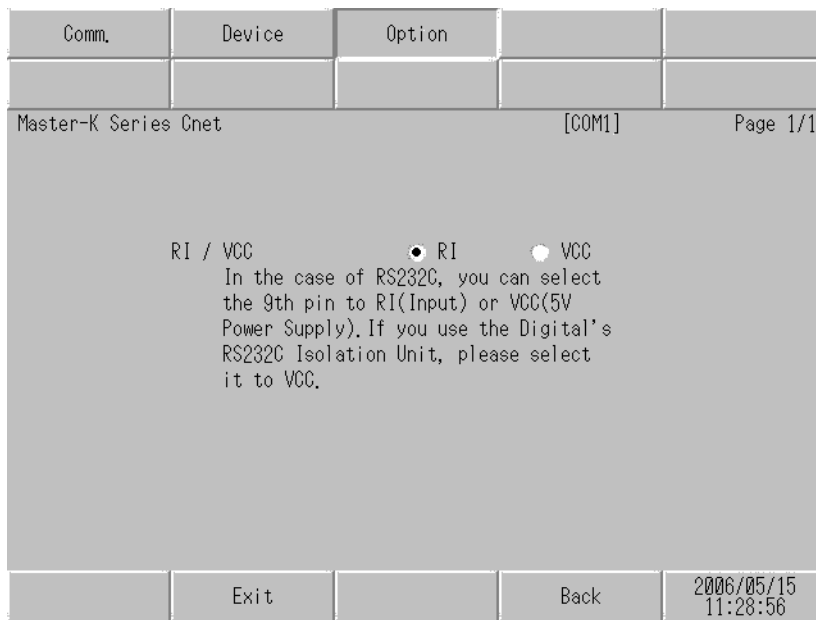
To display the setting screen, touch [Device/PLC Settings] from [Peripheral Settings]. Touch the External Device you want to set from the displayed list, and touch [Device].

Comm.	Device	Option		
Master-K Series Cnet		[COM1]	Page 1/1	
Device/PLC Name		[PLC1] ▼		
Station		[0] ▼ ▲		
Exit		Back		2006/05/15 11:28:53

Setup Items	Setup Description
Device/PLC Name	Select the External Device for device setting. Device name is a title of External Device set with GP-Pro EX.(Initial value [PLC1])
Station	Use an integer from 0 to 31 to enter the Station No. of the External Device. (Initial value [0])

## ◆ Option

To display the setting screen, touch [Device/PLC Settings] from [Peripheral Settings]. Touch the External Device you want to set from the displayed list, and touch [Option].



Setup Items	Setup Description
RI/VCC	You can switch RI/VCC of the 9th pin when you select RS232C for SIO type. It is necessary to change RI/5V by changeover switch of IPC when connect with IPC. Please refer to the manual of the IPC for more detail.

## 5 Cable Diagram

The cable diagram shown below may be different from the cable diagram recommended by LS Industrial Systems. Please be assured there is no operational problem in applying the cable diagram shown in this manual.

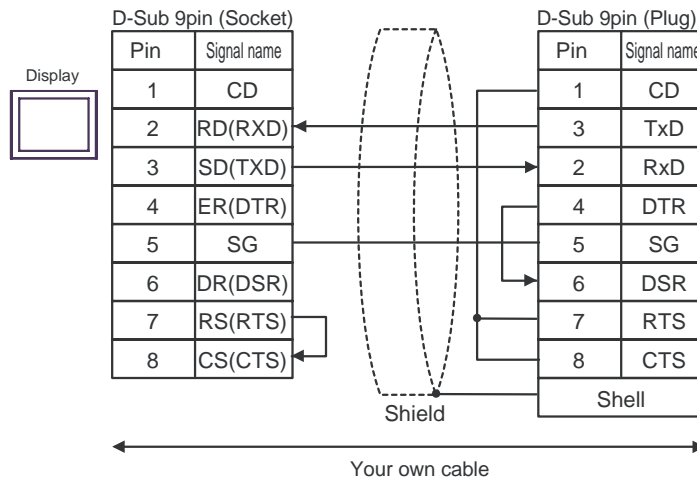
- The FG pin of the External Device body must be D-class grounded. Please refer to the manual of the External Device for more details.
- SG and FG are connected inside the Display. When connecting SG to the External Device, design the system not to form short-circuit loop.
- Connect the isolation unit, when communication is not stabilized under the influence of a noise etc..

Cable Diagram 1

Display (Connection Port)	Cable	Notes
GP (COM1) ST (COM1) IPC*1 PC/AT	Your own cable	The cable length must be 15m or less.

\*1 Only the COM port which can communicate by RS-232C can be used.

- ☞ ■ COM Port of IPC (page 5)



Cable Diagram 2

Display (Connection Port)	Cable		Notes
GP* <sup>1</sup> (COM1) AGP-3302B (COM2) ST* <sup>2</sup> (COM2) IPC* <sup>3</sup>	A	COM port conversion adapter by Pro-face CA3-ADPCOM-01 + Terminal block conversion adapter by Pro-face CA3-ADPTRM-01 + Your own cable	The cable length must be 500m or less.
	B	Your own cable	
GP* <sup>4</sup> (COM2)	C	Online adapter by Pro-face CA4-ADPONL-01 + Terminal block conversion adapter by Pro-face CA3-ADPTRM-01 + Your own cable	
	D	Online adapter by Pro-face CA4-ADPONL-01 + Your own cable	

\*1 All GP models except AGP-3302B

\*2 All ST models except AST-3211A

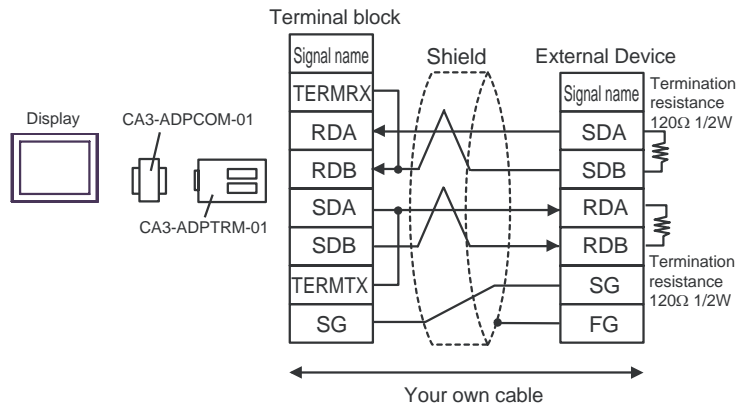
\*3 Only the COM port which can communicate by RS-422/485 (4 wire) can be used.

☞ ■ COM Port of IPC (page 5)

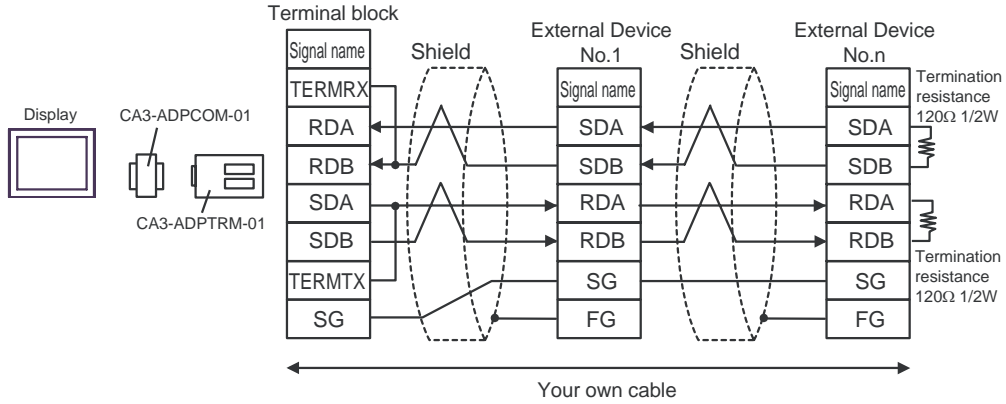
\*4 All GP models except GP-3200 series and AGP-3302B

A) When using the COM port conversion adapter (CA3-ADPCOM-01), the terminal block conversion adapter (CA3-ADPTRM-01) by Pro-face and your own cable

- 1:1 Connection

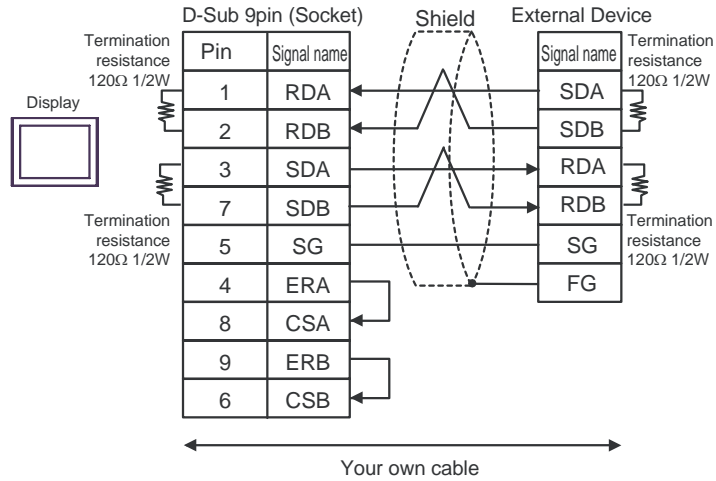


- 1:n Connection

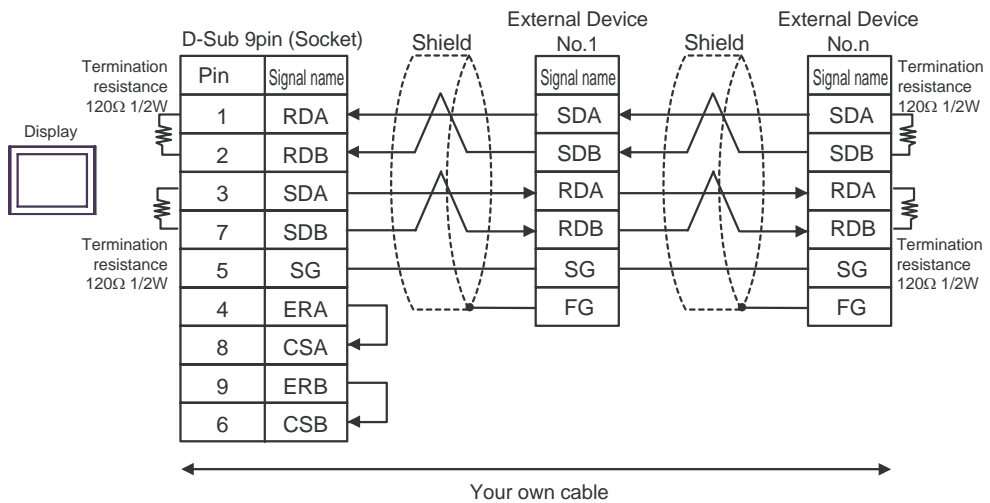


B) When using your own cable

- 1:1 Connection

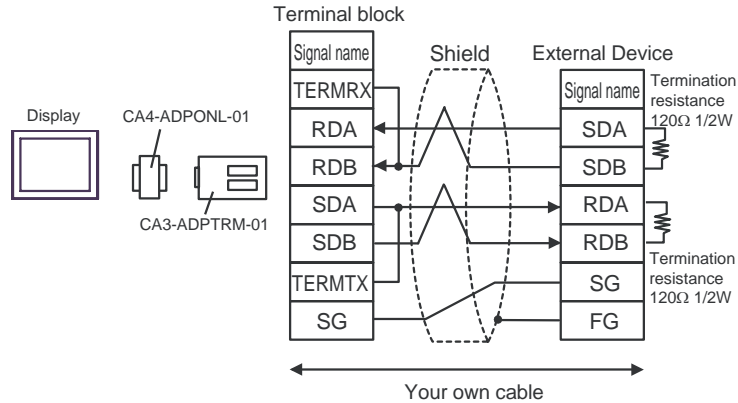


- 1:n Connection

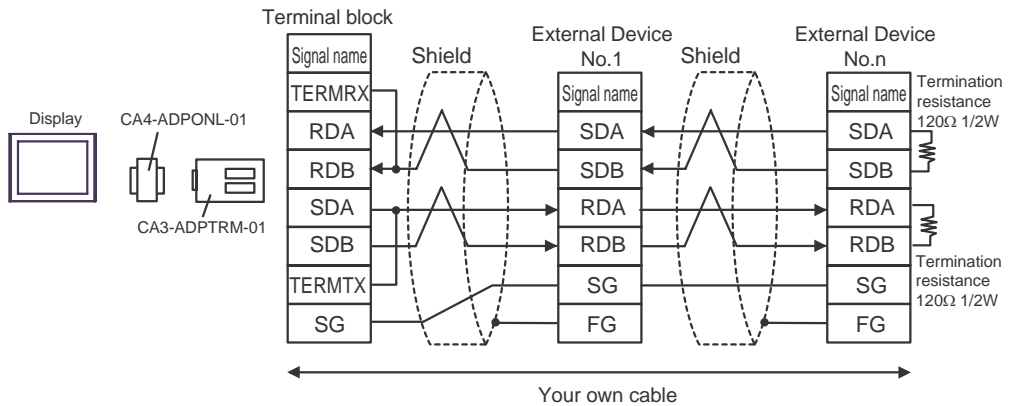


C) When using the online adapter (CA4-ADPONL-01), the terminal block conversion adapter (CA3-ADPTRM-01) by Pro-face and your own cable

- 1:1 Connection

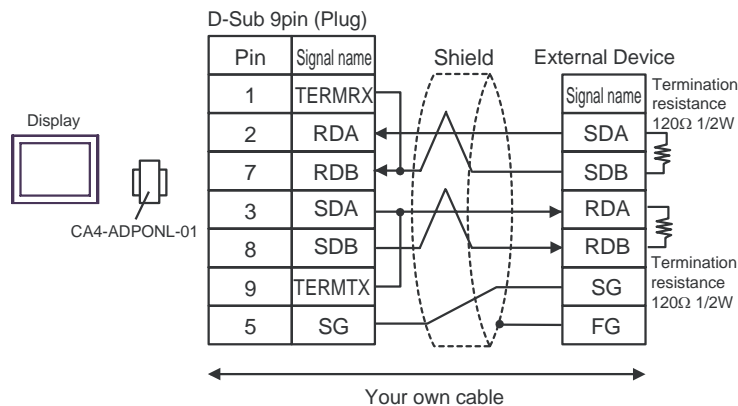


- 1:n Connection

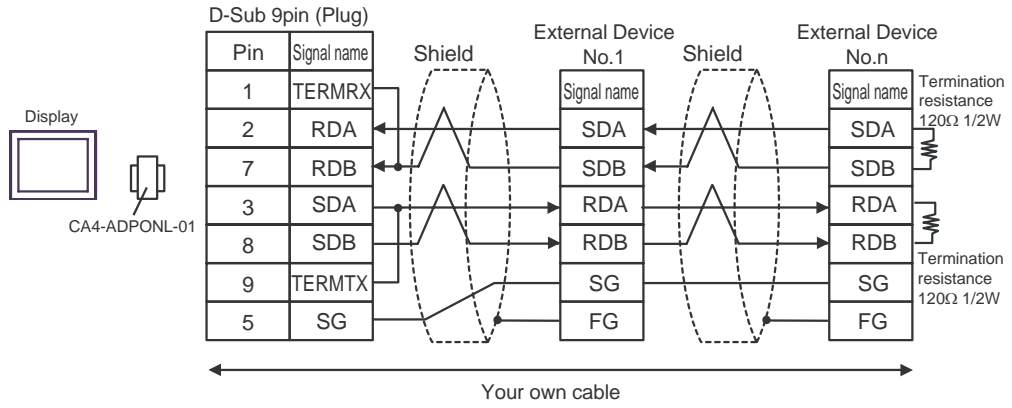


D) When using the online adapter (CA4-ADPONL-01) by Pro-face and your own cable

- 1:1 Connection



- 1:n Connection



Cable Diagram 3


Display (Connection Port)	Cable		Notes
GP* <sup>1</sup> (COM1) AGP-3302B (COM2) ST* <sup>2</sup> (COM2)	A	COM port conversion adapter by Pro-face CA3-ADPCOM-01 + Terminal block conversion adapter by Pro-face CA3-ADPTRM-01 + Your own cable	The cable length must be 500m or less.
	B	Your own cable	
GP* <sup>3</sup> (COM2)	C	Online adapter by Pro-face CA4-ADPONL-01 + Terminal block conversion adapter by Pro-face CA3-ADPTRM-01 + Your own cable	
	D	Online adapter by Pro-face CA4-ADPONL-01 + Your own cable	
IPC* <sup>4</sup>	E	COM port conversion adapter by Pro-face CA3-ADPCOM-01 + Terminal block conversion adapter by Pro-face CA3-ADPTRM-01 + Your own cable	
	F	Your own cable	

\*1 All GP models except AGP-3302B

\*2 All ST models except AST-3211A

\*3 All GP models except GP-3200 series and AGP-3302B

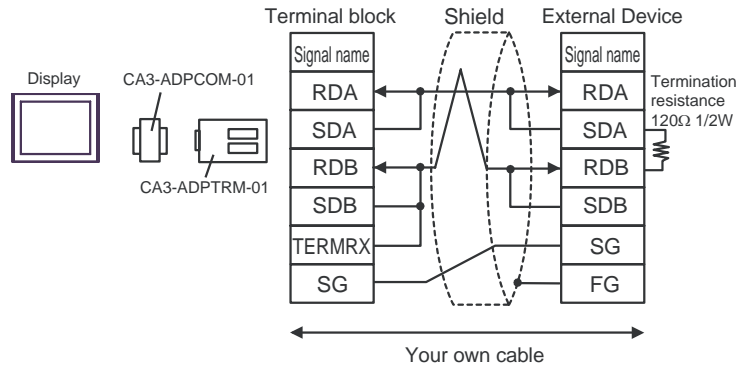
\*4 Only the COM port which can communicate by RS-422/485 (2 wire) can be used.

 ■ COM Port of IPC (page 5)



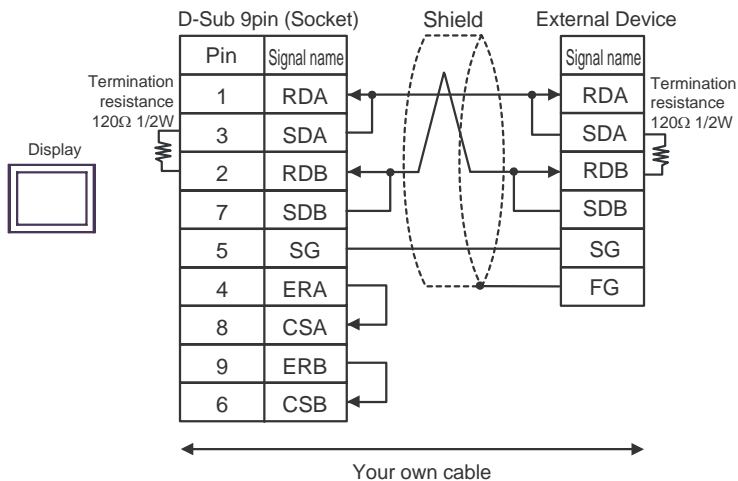
A) When using the COM port conversion adapter (CA3-ADPCOM-01), the terminal block conversion adapter (CA3-ADPTRM-01) by Pro-face and your own cable

- 1:1 Connection



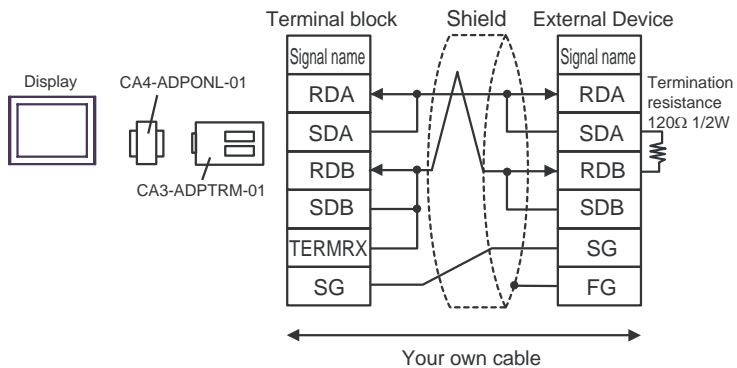
B) When using your own cable

- 1:1 Connection



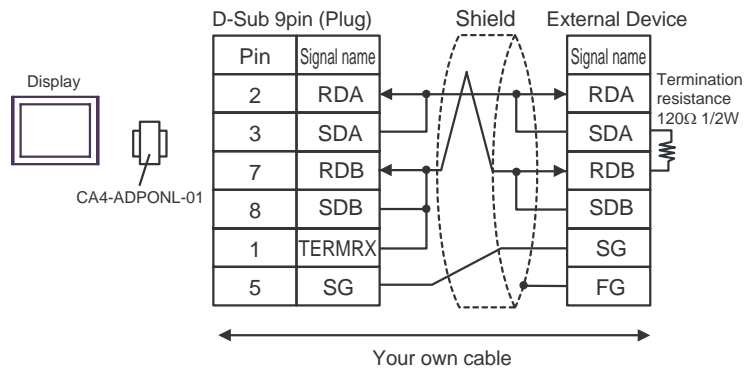
C) When using the online adapter (CA4-ADPONL-01), the terminal block conversion adapter (CA3-ADPTRM-01) by Pro-face and your own cable

- 1:1 Connection



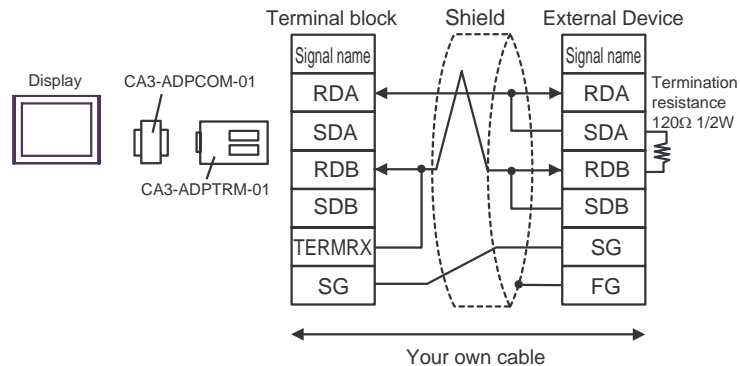
D) When using the online adapter (CA4-ADPONL-01) by Pro-face and your own cable

- 1:1 Connection



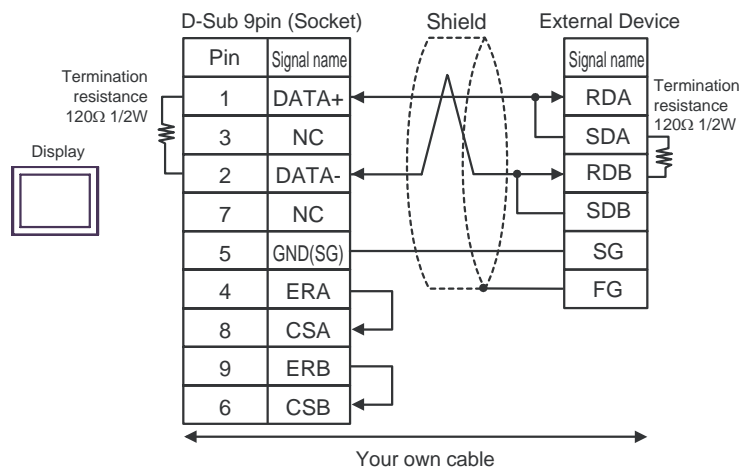
E) When using the COM port conversion adapter (CA3-ADPCOM-01), the terminal block conversion adapter (CA3-ADPTRM-01) by Pro-face and your own cable

- 1:1 Connection



F) When using your own cable

- 1:1 Connection

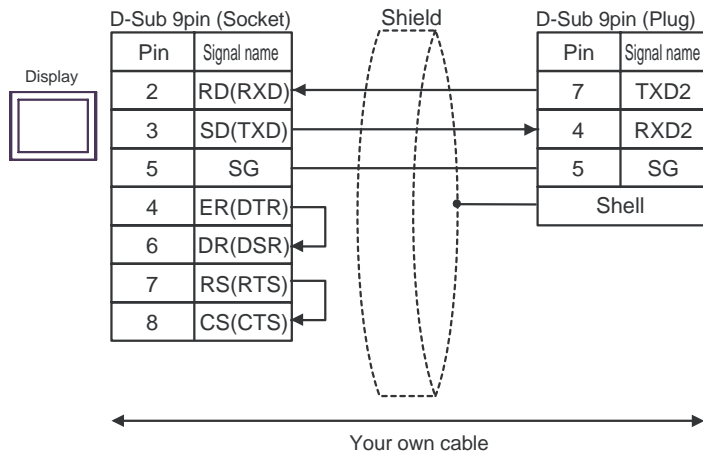


Cable Diagram 4

Display (Connection Port)	Cable	Notes
GP (COM1) ST (COM1) IPC*1 PC/AT	Your own cable	The cable length must be 15m or less.

\*1 Only the COM port which can communicate by RS-232C can be used.

☞ ■ COM Port of IPC (page 5)



Cable Diagram 5


Display (Connection Port)	Cable		Notes
GP* <sup>1</sup> (COM1) AGP-3302B (COM2) ST* <sup>2</sup> (COM2)	A	COM port conversion adapter by Pro-face CA3-ADPCOM-01 + Terminal block conversion adapter by Pro-face CA3-ADPTRM-01 + Your own cable	The cable length must be 500m or less.
	B	Your own cable	
GP* <sup>3</sup> (COM2)	C	Online adapter by Pro-face CA4-ADPONL-01 + Terminal block conversion adapter by Pro-face CA3-ADPTRM-01 + Your own cable	
	D	Online adapter by Pro-face CA4-ADPONL-01 + Your own cable	
IPC* <sup>4</sup>	E	COM port conversion adapter by Pro-face CA3-ADPCOM-01 + Terminal block conversion adapter by Pro-face CA3-ADPTRM-01 + Your own cable	
	F	Your own cable	

\*1 All GP models except AGP-3302B

\*2 All ST models except AST-3211A

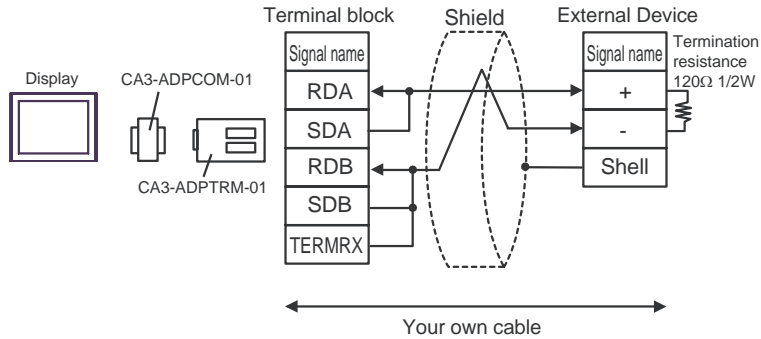
\*3 All GP models except GP-3200 series and AGP-3302B

\*4 Only the COM port which can communicate by RS-422/485 (2 wire) can be used.

 ■ COM Port of IPC (page 5)

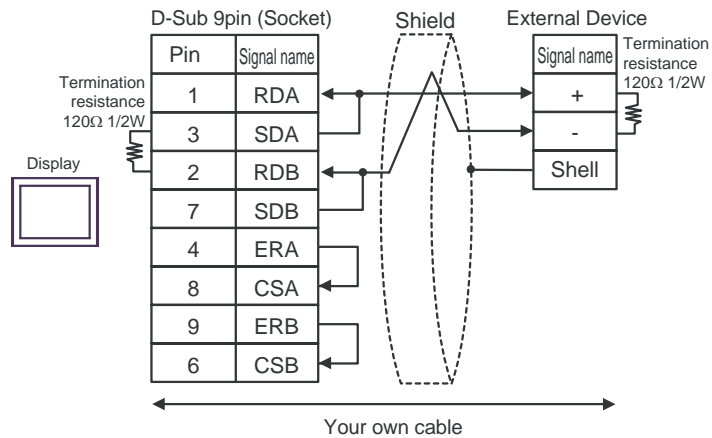
A) When using the COM port conversion adapter (CA3-ADPCOM-01), the terminal block conversion adapter (CA3-ADPTRM-01) by Pro-face and your own cable

- 1:1 Connection



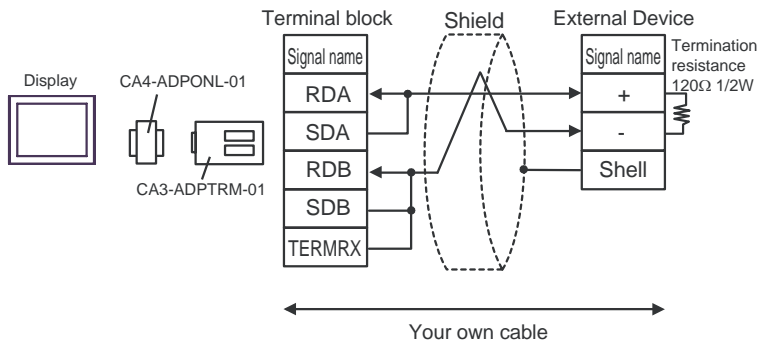
B) When using your own cable

- 1:1 Connection



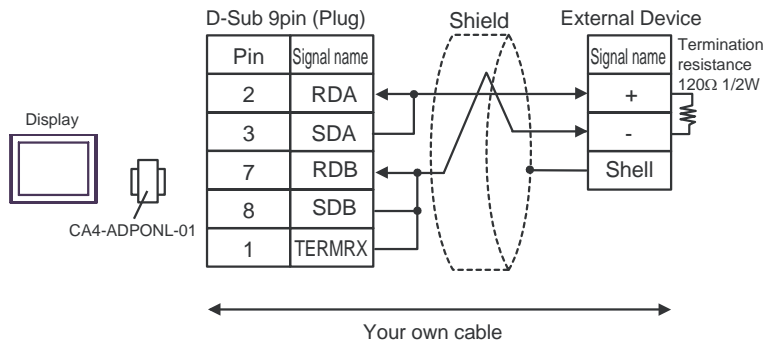
C) When using the online adapter (CA4-ADPONL-01), the terminal block conversion adapter (CA3-ADPTRM-01) by Pro-face and your own cable

- 1:1 Connection



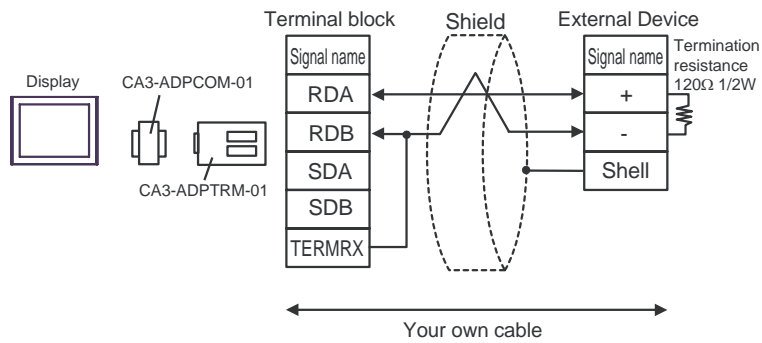
D) When using the online adapter (CA4-ADPONL-01) by Pro-face and your own cable

- 1:1 Connection



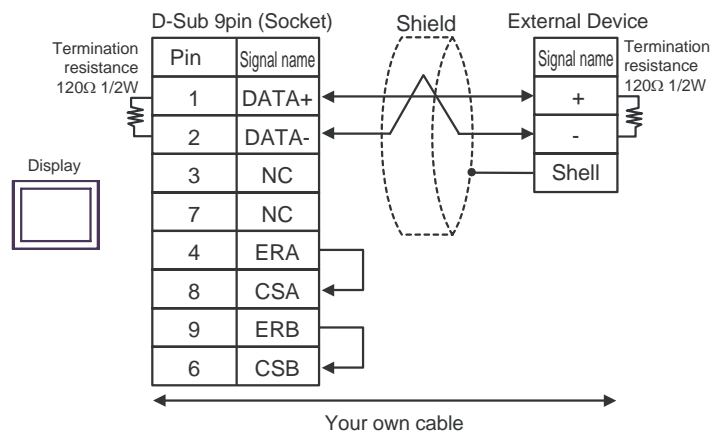
E) When using the COM port conversion adapter (CA3-ADPCOM-01), the connector terminal block conversion adapter (CA3-ADPTRM-01) by Pro-face and your own cable

- 1:1 Connection




F) When using your own cable


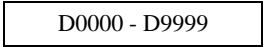
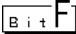
- 1:1 Connection



## 6 Supported Device


Range of supported device address is shown in the table below. Please note that the actually supported range of the devices varies depending on the External Device to be used. Please check the actual range in the manual of your connecting equipment.

 This address can be specified as system data area.

Device	Bit Address	Word Address	32 bits	Notes
Input / Output Relay	P000 - P63F	P00 - P63		
Auxiliary Relay	M0000 - M191F	M000 - M191		
Keep Relay	K000 - K31F	K00 - K31		
Link Relay	L000 - L63F	L00 - L63		
Special Relay	F000 - F63F	F00 - F63		*1
Timer (Contact)	T000 - T255	-----		
Counter (Contact)	C000 - C255	-----		
Timer (Elapsed Value)	-----	T000 - T255		
Counter (Elapsed Value)	-----	C000 - C255		
Step Controller	-----	S00 - S99		
Data Register	-----	 D0000 - D9999		

\*1 Write disable.

### NOTE

- Please refer to the GP-Pro EX Reference Manual for system data area.  
Cf. GP-Pro EX Reference Manual "Appendix 1.4 LS Area (only for direct access method)"
- Please refer to the precautions on manual notation for icons in the table.  
 "Manual Symbols and Terminology"

## 7 Device Code and Address Code

Use device code and address code when you select "Device Type & Address" for the address type in data displays.

Device	Device Name	Device Code (HEX)	Address Code
Input / Output Relay	P	0080	Word address
Auxiliary Relay	M	0082	Word address
Keep Relay	K	0083	Word address
Link Relay	L	0084	Word address
Special Relay	F	0085	Word address
Timer (Elapsed Value)	T	0060	Word address
Counter (Elapsed Value)	C	0061	Word address
Step Controller	S	0062	Word address
Data Register	D	0000	Word address



## 8 Error Messages

Error messages are displayed on the screen of Display as follows: "No. : Device Name: Error Message (Error Occurrence Area)". Each description is shown below.

Item	Description
No.	Error No.
Device Name	Name of External Device where error occurs. Device name is a title of External Device set with GP-Pro EX. (Initial value [PLC1])
Error Message	Displays messages related to the error which occurs.
Error Occurrence Area	<p>Displays IP address or device address of External Device where error occurs, or error codes received from External Device.</p> <p><b>NOTE</b></p> <ul style="list-style-type: none"> <li>• IP address is displayed such as "IP address (Decimal): MAC address (Hex)".</li> <li>• Device address is displayed such as "Address: Device address".</li> <li>• Received error codes are displayed such as "Decimal [Hex]".</li> </ul>

Display Examples of Error Messages

"RHAA035: PLC1: Error has been responded for device write command (Error Code: 2 [02H])"

**NOTE**

- Please refer to the manual of External Device for more detail of received error codes.
- Please refer to "When an error message is displayed (Error code list)" of "Maintenance/Troubleshooting" for a common error message to the driver.

