

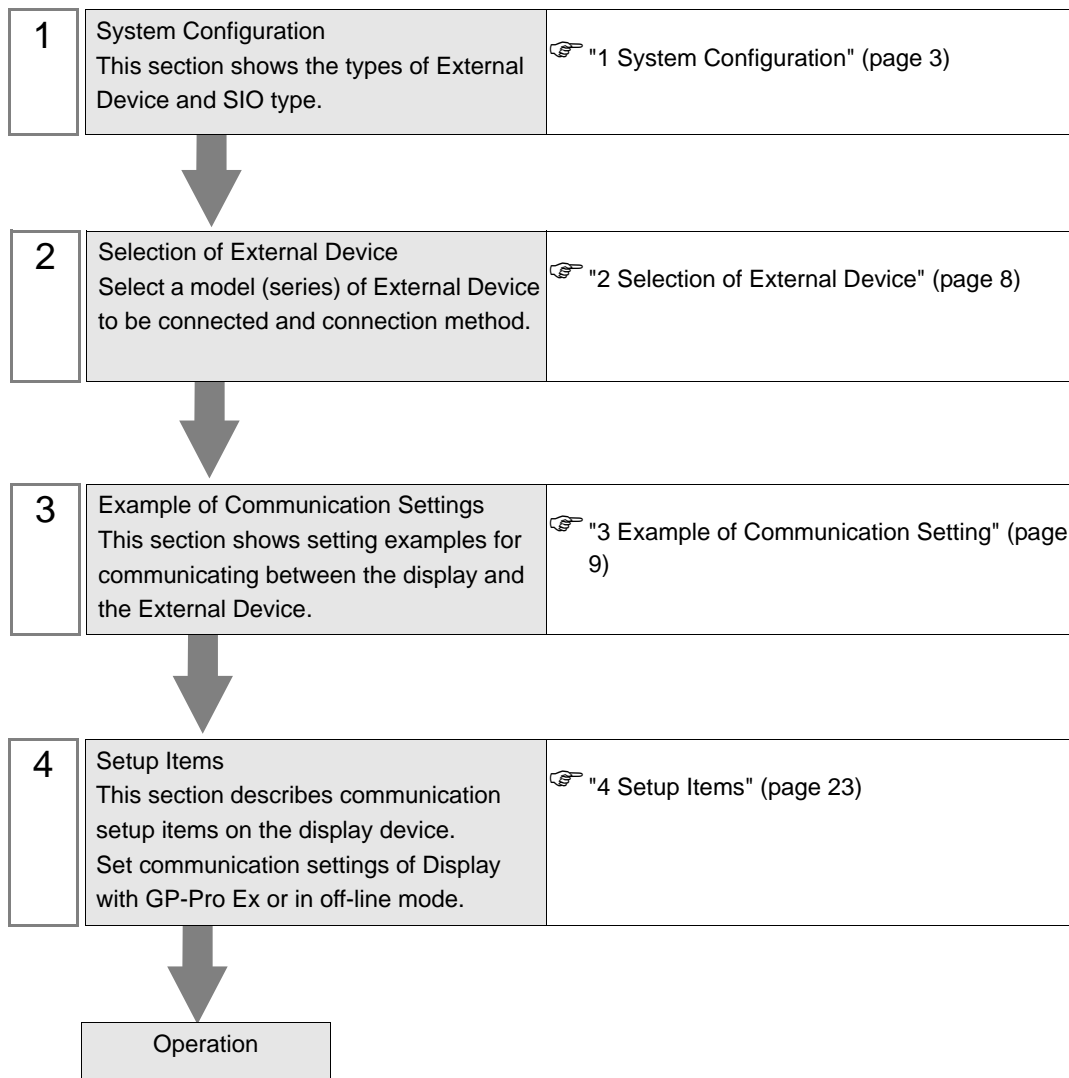
Q/QnA Series Ethernet Driver

1	System Configuration.....	3
2	Selection of External Device	8
3	Example of Communication Setting.....	9
4	Setup Items.....	23
5	Supported Device.....	30
6	Device Code and Address Code.....	33
7	Error Messages.....	38

Introduction

This manual describes how to connect the display and the External Device (target PLC).

In this manual, the connection procedure will be described by following the below sections:



1 System Configuration

The system configuration in the case when the External Device of Mitsubishi Electric Corp. and the display are connected is shown.

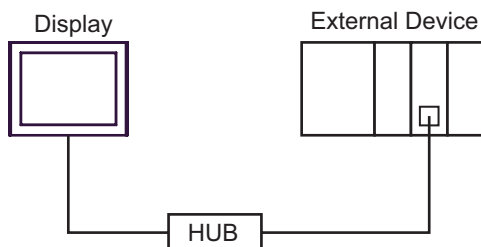
Series	CPU	Link I/F	SIO Type	Setting Example
MELSEC Q Series	Q00 Q00J Q01 Q02 Q02H Q06H Q12H Q25H	QJ71E71	Ethernet (UDP)	Setting Example 1 (page 9)
			Ethernet (TCP)	Setting Example 2 (page 13)
		QJ71E71-B2	Ethernet (UDP)	Setting Example 1 (page 9)
			Ethernet (TCP)	Setting Example 2 (page 13)
		QJ71E71-B5	Ethernet (UDP)	Setting Example 1 (page 9)
			Ethernet (TCP)	Setting Example 2 (page 13)
		QJ71E71-100	Ethernet (UDP)	Setting Example 1 (page 9)
			Ethernet (TCP)	Setting Example 2 (page 13)
	Q02U Q03UD Q04UDH Q06UDH	QJ71E71-B2	Ethernet (UDP)	Setting Example 1 (page 9)
			Ethernet (TCP)	Setting Example 2 (page 13)
		QJ71E71-B5	Ethernet (UDP)	Setting Example 1 (page 9)
			Ethernet (TCP)	Setting Example 2 (page 13)
		QJ71E71-100	Ethernet (UDP)	Setting Example 1 (page 9)
			Ethernet (TCP)	Setting Example 2 (page 13)

Continued to next page.

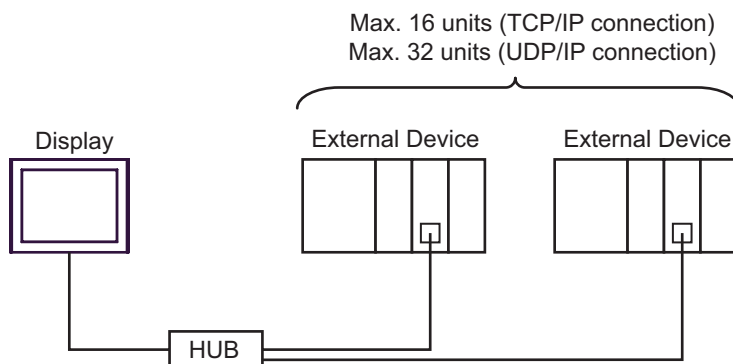
Series	CPU	Link I/F	SIO Type	Setting Example
MELSEC QnA Series	Q2A Q2A-S1 Q3A Q4A Q4AR	AJ71QE71	Ethernet (UDP)	Setting Example 3 (page 17)
			Ethernet (TCP)	Setting Example 4 (page 20)
		AJ71QE71-B5	Ethernet (UDP)	Setting Example 3 (page 17)
			Ethernet (TCP)	Setting Example 4 (page 20)
	Q2AS Q2ASH Q2AS-S1 Q2ASH-S1	A1SJ71QE71-B2	Ethernet (UDP)	Setting Example 3 (page 17)
			Ethernet (TCP)	Setting Example 4 (page 20)
		A1SJ71QE71-B5	Ethernet (UDP)	Setting Example 3 (page 17)
			Ethernet (TCP)	Setting Example 4 (page 20)

■ Connection Configuration

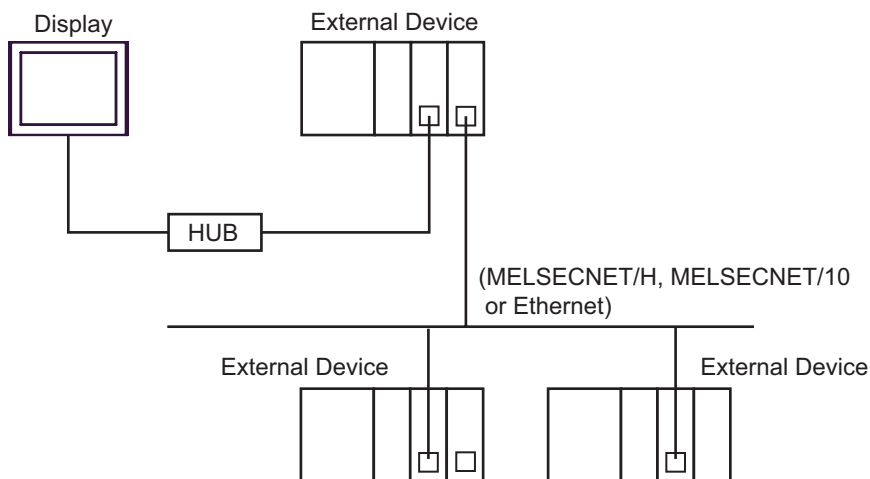
- 1:1 Connection



- 1:n Connection (when access station is source station)



- 1:n Connection (access beyond network)

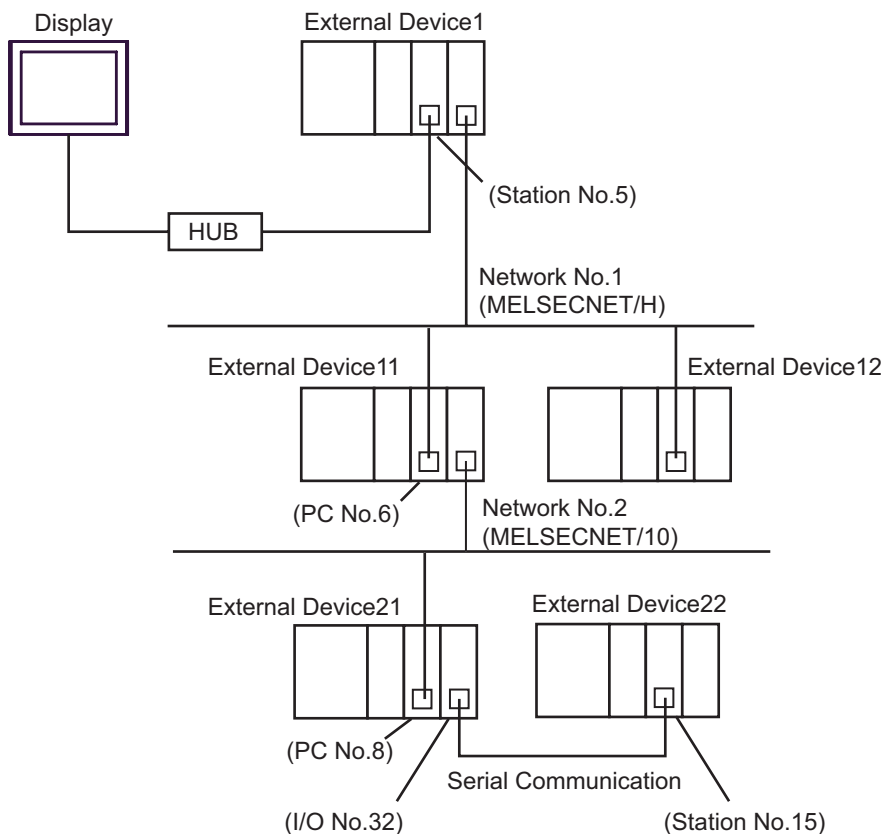


NOTE

- In case of communication via network, please set larger value than the response monitoring time of the relay station for timeout settings.

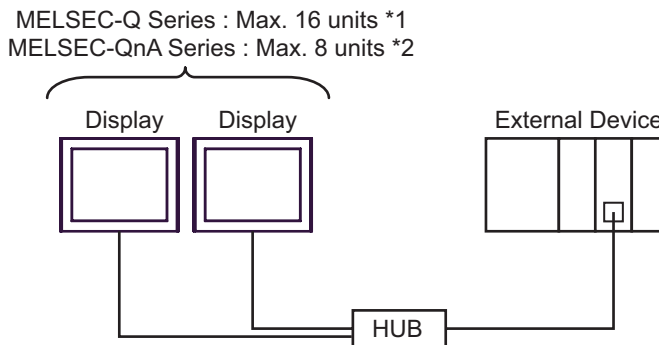
Setting examples for access beyond the network are shown below. Check the details of the setup items in "Setup Item."

☞ "4 Setup Items" (page 23)



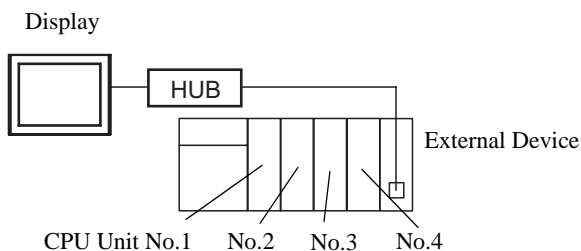
External Device to be Accessed	Port No.	Station No.	Network No.	PC No.	Request destination module I/O No.	Request destination module Station No.
External Device 1	1025	5	0	255	1023	0
External Device 11	1026	5	1	6	1023	0
External Device 22	1027	5	2	8	32	15

- n : 1 Connection



- *1 When transmitting data via the External Device's OPEN Setting feature instead of the Auto OPEN UDP Port feature, up to 16 Display units can be connected. Also, when using the External Device's Auto Open UDP Port feature, there is no limitation for the number of Display units that can be connected.
- *2 When transmitting data via the External Device's parameter setting instead of the Auto OPEN UDP Port feature, up to 8 Display units can be connected. Also, when using the External Device's Auto Open UDP Port feature, there is no limitation for the number of Display units that can be connected.

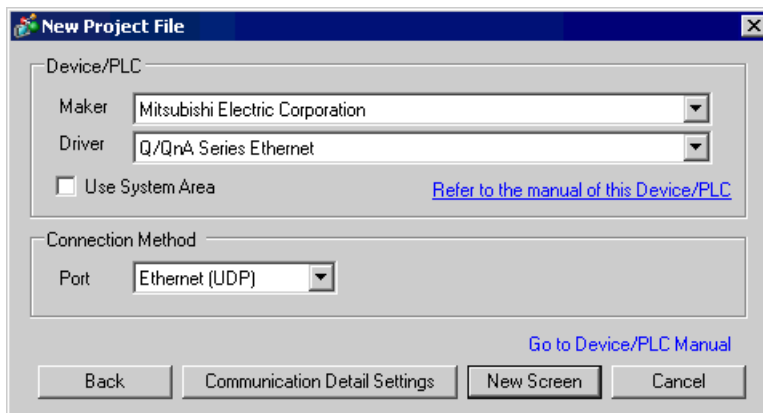
- Multi CPU System

**NOTE**

- For CPU's Unit No., No.1 is allocated to the CPU slot and No.2, 3, and 4 are allocated to the other slots from No.1 to right.
- With Multi CPU System, it's possible to access a CPU unit that is not directly connected.

2 Selection of External Device

Select the External Device to be connected to the display.



Setup Items	Setup Description
Maker	Select the maker of the External Device to be connected. Select "Mitsubishi Electric Corporation".
Driver	Select a model (series) of the External Device to be connected and connection method. Select "Q/QnA Series Ethernet". Check the External Device which can be connected in "Q/QnA Series Ethernet" in system configuration. "1 System Configuration" (page 3)
Use System Area	Check this option when you synchronize the system data area of Display and the device (memory) of External Device. When synchronized, you can use the ladder program of External Device to switch the display or display the window on the display. Cf. GP-Pro EX Reference Manual "Appendix 1.4 LS Area (only for direct access method)" This can also be set with GP-Pro EX or in off-line mode of the Display. Cf. GP-Pro EX Reference Manual "5.14.6 Setting Guide of [System Setting Window], Setting Guide of [Main Unit Settings], System Area Setting" Cf. Maintenance/Troubleshooting manual "2.14.1 Common to the Display", Setting Guide of [Main Unit Settings], System Area Setting
Port	Select the port of the display to be connected to the External Device from "Ethernet (UDP)" and "Ethernet (TCP)". NOTE When using PLC ladder monitor, select "Ethernet (UDP)."

3 Example of Communication Setting

Examples of communication settings of the display and the External Device, recommended by Pro-face, are shown.

When you use the MELSEC Q/QnA Ethernet Series, use GP-Pro EX and the ladder software to set as below.

3.1 Setting Example 1

■ Setting of GP-Pro EX

◆ Communication Settings

To display the setting screen, select [Device/PLC Settings] from [System setting window] in workspace.

Device/PLC 1

Summary [Change Device/PLC](#)

Maker Series Port

Text Data Mode [Change](#)

Communication Settings

Port No.

Timeout (sec)

Retry


Wait To Send (ms)

Device-Specific Settings

Allowable Number of Devices/PLCs 32

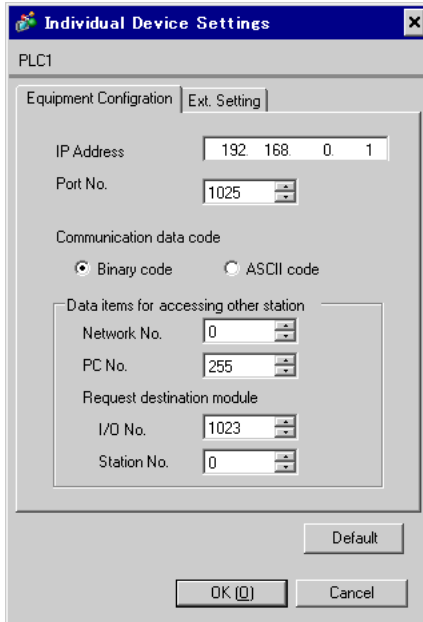
Number	Device Name	Settings
<input type="button" value="1"/>	<input type="text" value="PLC1"/>	<input type="text" value="IP Address=192.168.000.001,Port No.=1025,Communication data code=Binary c"/>

◆ Device Setting

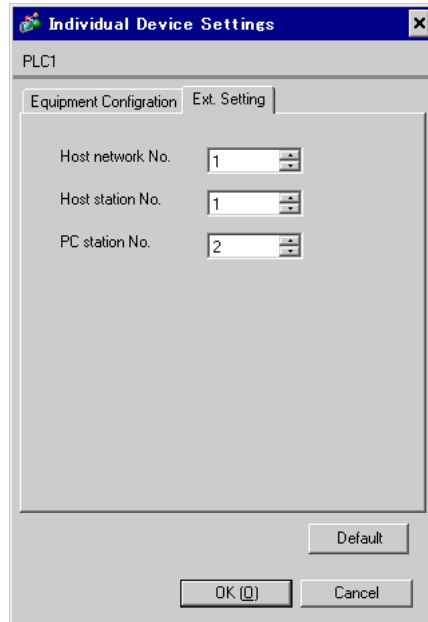
To display the setting screen, click  ([Setting]) of External Device you want to set from [Device-Specific Settings] of [Device/PLC Settings].

When [Allowable No. of Device/PLCs] is multiple, click  from [Device-Specific Settings] of [Device/PLC Settings] to add another External Device.

[Equipment Configuration] tab



[Ext. Setting] tab



◆ Notes

- Check with a network administrator about IP address. Do not set the duplicate IP address.
- Set IP address on the External Device for IP address in Device-specific settings.
- You need to set IP address on the display in the off-line mode of the display.
- Limitations when you use UDP/IP to access the multiple PLCs via network are shown below.
 - When you set the retry frequency to zero, the error message of "Response timed out for initial communication command" is displayed at startup.
 - At startup, you cannot read the device data until timeout time elapses once.

■ Setting of External Device

Perform the settings of External Device in "Network Parameter" of the Parameter Settings of the ladder software.

◆ Network Parameter MNET/10H Ethernet Settings

Setup Items	Settings
Network Type	Ethernet
Head I/O No.	Option
Network No.	Option
Group No.	Option
Station No.	Option
Mode	On-line

◆ Ethernet Operation Settings

Setup Items	Settings
Communication Data Code Settings	Binary code communication
Initial Timing Settings	Always wait for OPEN
IP Address Setting	Option
Send Frame Settings	Ethernet (V2.0)
TCP Living Confirmation Settings	Option
Enable Write during RUN	Enable

◆ Open Settings

Setup Items	Settings
Protocol	UDP
Open Method	Unused
Source Port No.	Option *1
Destination IP Address	Option *1*2
Destination Port Number	Option *1*2
Fixed Buffer	Option
Update Procedure of Fixed Buffer	Option
Pairing Opening	Option
Living Confirmation	Option

*1 Check with a network administrator about setting value.

*2 Adjust to the setting on Display.

◆ Other Settings

The following settings are items only if necessary.

- **Initial Settings**
Settings related to timer for TCP connection. Basically, communication is available with default settings.
Change the settings when you want to customize (such as shortening timeout).
- **Routing Information**
Set only when you use subnet mask or router.
- **Auto Open UDP Port**
When you use the UDP port, you can communicate using the auto open UDP port (port No. 5000) on the PLC.

◆ Notes

Check with a network administrator about IP address. Do not set the duplicate IP address.

3.2 Setting Example 2

■ Setting of GP-Pro EX

◆ Communication Settings

To display the setting screen, select [Device/PLC Settings] from [System setting window] in workspace.

Device/PLC 1

Summary [Change Device/PLC](#)

Maker Series Port

Text Data Mode [Change](#)

Communication Settings

Port No. Auto

Timeout (sec)

Retry

Wait To Send (ms)

Device-Specific Settings

Allowable Number of Devices/PLCs 16

Number	Device Name	Settings
1	PLC1	<input type="button" value="Settings"/> IP Address=192.168.0.001,Port No.=1025,Communication data code=Binary c

◆ Device Setting

To display the setting screen, click ([Setting]) of External Device you want to set from [Device-Specific Settings] of [Device/PLC Settings].

When [Allowable No. of Device/PLCs] is multiple, click from [Device-Specific Settings] of [Device/PLC Settings] to add another External Device.

[Equipment Configuration] tab

[Ext. Setting] tab

Individual Device Settings

PLC1

Equipment Configuration | Ext. Setting

IP Address

Port No.

Communication data code

Binary code ASCII code

Data items for accessing other station

Network No.

PC No.

Request destination module

I/O No.

Station No.

Individual Device Settings

PLC1

Equipment Configuration | Ext. Setting

Host network No.

Host station No.

PC station No.

◆ Notes

- Check with a network administrator about IP address. Do not set the duplicate IP address.
- Set IP address on the External Device for IP address in Device-specific settings.
- You need to set IP address on the display in the off-line mode of the display.

■ Settings of External Device

Perform the settings of External Device in "Network Parameter" of the Parameter Settings of the ladder software.

◆ Network Parameter MNET/10H Ethernet Settings

Setup Items	Settings
Network Type	Ethernet
Head I/O No.	Option
Network No.	Option
Group No.	Option
Station No.	Option
Mode	On-line

◆ Ethernet Operation Settings

Setup Items	Settings
Communication Data Code Settings	Binary code communication
Initial Timing Settings	Always wait for OPEN
IP Address Setting	Option
Send Frame Settings	Ethernet (V2.0)
TCP Living Confirmation Settings	Option
Enable Write during RUN	Enable

◆ Open Settings

Setup Items	Settings
Protocol	TCP
Open Method	Unpassive
Source Port No.	Option *1
Destination IP Address	Setting unnecessary
Destination Port Number	Setting unnecessary
Fixed Buffer	Option
Update Procedure of Fixed Buffer	Option
Pairing Opening	Option
Living Confirmation	Option

*1 Check with a network administrator about setting value.

◆ Other Settings

The following settings are items only if necessary.

- **Initial Settings**
Settings related to timer for TCP connection. Basically, communication is available with default settings.
Change the settings when you want to customize (such as shortening timeout).
- **Routing Information**
Set only when you use subnet mask or router.
- **Auto Open UDP Port**
When you use the UDP port, you can communicate using the auto open UDP port (port No. 5000) on the PLC.

◆ Notes

Check with a network administrator about IP address. Do not set the duplicate IP address.

3.3 Setting Example 3

■ Setting of GP-Pro EX

◆ Communication Settings

To display the setting screen, select [Device/PLC Settings] from [System setting window] in workspace.

◆ Device Setting

To display the setting screen, click ([Setting]) of External Device you want to set from [Device-Specific Settings] of [Device/PLC Settings].

When [Allowable No. of Device/PLCs] is multiple, click from [Device-Specific Settings] of [Device/PLC Settings] to add another External Device.

[Equipment Configuration] tab

[Ext. Setting] tab

◆ Notes

- Check with a network administrator about IP address. Do not set the duplicate IP address.
- Set IP address on the External Device for IP address in Device-specific settings.
- You need to set IP address on the display in the off-line mode of the display.
- Limitations when you use UDP/IP to access the multiple PLCs via network are shown below.
 - When you set the retry frequency to zero, the error message of "Response timed out for initial communication command" is displayed at startup.
 - At startup, you cannot read the device data until timeout time elapses once.

3.4 Setting Example 4

■ Setting of GP-Pro EX

◆ Communication Settings

To display the setting screen, select [Device/PLC Settings] from [System setting window] in workspace.

◆ Device Setting

To display the setting screen, click ([Setting]) of External Device you want to set from [Device-Specific Settings] of [Device/PLC Settings].

When you connect multiple External Device, click from [Device-Specific Settings] of [Device/PLC Settings] to add another External Device.

[Equipment Configuration] tab

[Ext. Setting] tab

◆ Notes

- Check with a network administrator about IP address. Do not set the duplicate IP address.
- Set IP address on the External Device for IP address in Device-specific settings.
- You need to set IP address on the display in the off-line mode of the display.

4 Setup Items

Set communication settings of the display with GP-Pro Ex or in off-line mode of the display.

The setting of each parameter must be identical to that of External Device.

☞ "3 Example of Communication Setting" (page 9)

IMPORTANT

- You need to set IP address on the display in the off-line mode of the display.
Cf. Maintenance/Troubleshooting "2.5 Ethernet Settings"

4.1 Setup Items in GP-Pro EX

■ Communication Settings

To display the setting screen, select [Device/PLC Settings] from [System setting window] in workspace.

Device/PLC 1

Summary [Change Device/PLC](#)

Maker Series Port

Text Data Mode [Change](#)

Communication Settings

Port No. Auto

Timeout (sec)

Retry

Wait To Send (ms)


Device-Specific Settings

Allowable Number of Devices/PLCs 16

Number	Device Name	Settings
1	PLC1	IP Address=192.168.000.001,Port No.=1025,Communication data code=Binary c

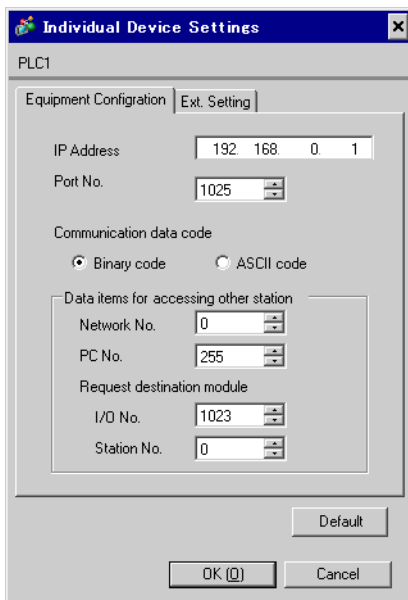
Setup Items	Setup Description
Port No.	Use an integer from 1024 to 65535 to enter the port No. of the display. When you check the option of [Auto Assign], the port No. will be automatically set. NOTE <ul style="list-style-type: none"> [Auto Assign] option is available to set only when you select "Ethernet (TCP)" in [Connecting Method].
Timeout	Use an integer from 1 to 127 to enter the time (s) for which Display waits for the response from External Device. NOTE <ul style="list-style-type: none"> In case of communicating via network, please set larger value than the response monitoring time of the relay station for timeout settings.
Retry	In case of no response from the External Device, use an integer from 0 to 255 to enter how many times the display retransmits the command.
Wait To Send	Use an integer from 0 to 255 to enter standby time (ms) for the display from receiving packets to transmitting next commands.

■ Device Setting

To display the setting screen, click  ([Setting]) of External Device you want to set from [Device-Specific Settings] of [Device/PLC Settings].

When [Allowable No. of Device/PLCs] is multiple, click  from [Device-Specific Settings] of [Device/PLC Settings] to add another External Device.

◆ [Equipment Configuration] tab



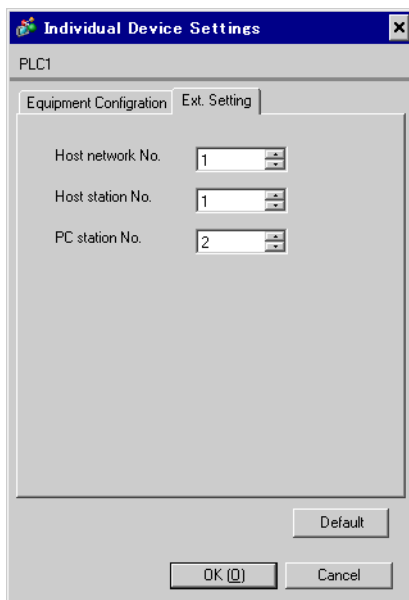
Setup Items	Setup Description
IP Address	Set IP address of the External Device. NOTE <ul style="list-style-type: none"> Check with a network administrator about IP address. Do not set the duplicate IP address.
Port No.	Use an integer from 1025 to 65535 to enter the port No. of the External Device. IMPORTANT <ul style="list-style-type: none"> Do not use the following port No. because Ethernet unit reserves them in the system. UDP connection: 5001-5002 TCP connection: 5000-5002
Network No.	Set PC No. when you communicate via network. Use an integer from 0 to 239 to enter network No. of the External Device to communicate. If you do not communicate via network, enter 0.
PC No.	Set PC No. when you communicate via network. Use an integer from 0 to 64 or 125 to 126 to enter PC No. of the External Device to communicate. If you do not communicate via network, enter 255.
Data Code	Select the data format to communicate with the External Device from "Binary code communication" or "ASCII code communication".

Continued to next page.

Setup Items	Setup Description
I/O No.	Set PC No. when you communicate via network. Use an integer from 0 to 511 to enter I/O No. of the External Device to communicate. If you do not communicate via network, enter 1023.
Station No.	Enter a station number of the External Device, using 0 to 31.

◆ [Ext. Setting] tab

The content of [Ext. Setting] tab is used on the PLC ladder monitor. If the PLC ladder monitor is not used, the set value becomes invalid. Refer to the Mitsubishi Electric Q Series PLC Ladder Monitor Operation Manual for details of the ladder monitor.

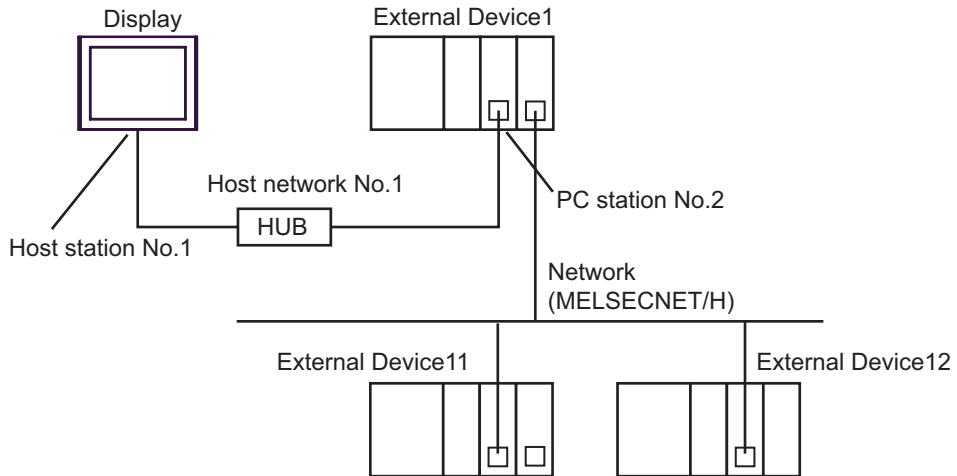


Setup Items	Setup Description
Host network No.	Input the network number that the Display is connected to from 1 through 239.
Host station No.	Input the PC station number of the Display from 1 through 64.
PC station No.	Input the PC station number of the External Device that is directly connected from 1 through 64.

NOTE

- Do not set the same PC station number within the same network.

- Setting examples of [Ext. Setting] tab are shown below.



Setup Items	Settings
Host network No.	1
Host station No.	1
PC station No.	2

4.2 Setup Items in Off-Line Mode

- NOTE** • Please refer to the Maintenance/Troubleshooting manual for more information on how to enter off-line mode or about the operation.

Cf. Maintenance/Troubleshooting manual "2.2 Off-line Mode"

■ Communication Settings

To display the setting screen, touch [Device/PLC Settings] from [Peripheral Settings] in off-line mode. Touch the External Device you want to set from the displayed list.

Comm.	Device			
Q/QnA Series Ethernet		[UDP]	Page 1/1	
Port No.	<input checked="" type="radio"/> Fixed <input type="radio"/> Auto	<input type="text" value="1025"/> ▼ ▲		
Timeout(s)	<input type="text" value="3"/> ▼ ▲			
Retry	<input type="text" value="2"/> ▼ ▲			
Wait To Send(ms)	<input type="text" value="0"/> ▼ ▲			
Exit		Back		2007/07/23 17:27:40

Setup Items	Setup Description
Port No.	Set the Port No. of the display. In UDP connection, entered port No. will be assigned regardless of whether you select [Fixed] or [Auto]. In TCP connection, select either of [Fixed] or [Auto]. When you select [Fixed], use an integer from 1024 to 65535 to enter the port No. of the display. When you select [Auto], the port No. will be automatically assigned regardless of the entered value.
Timeout	Use an integer from 1 to 127 to enter the time (s) for which Display waits for the response from External Device. NOTE <ul style="list-style-type: none"> In case of communicating via network, please set larger value than the response monitoring time of the relay station for timeout settings.
Retry	In case of no response from the External Device, use an integer from 0 to 255 to enter how many times the display retransmits the command.
Wait To Send	Use an integer from 0 to 255 to enter standby time (ms) for the display from receiving packets to transmitting next commands.

■ Device Setting

To display the setting screen, touch [Device/PLC Settings] from [Peripheral Settings]. Touch the External Device you want to set from the displayed list, and touch [Device].

(Page 1/2)

Comm.	Device			
Q/QnA Series Ethernet		[UDP]	Page 1/2	
Device/PLC Name <input type="text" value="PLC1"/>				
IP Address		<input type="text" value="192 168 0 1"/>		
Port No.		<input type="text" value="1025"/> ▼ ▲		
Data Code		<input checked="" type="radio"/> Binary <input type="radio"/> ASCII		
Network No.		<input type="text" value="0"/> ▼ ▲		
PC No.		<input type="text" value="255"/> ▼ ▲		
Request destination module				
I/O No.		<input type="text" value="1023"/> ▼ ▲		
Station No.		<input type="text" value="0"/> ▼ ▲		
				➔
Exit		Back		2007/07/23 17:27:43

Setup Items	Setup Description
Device/PLC Name	Select the External Device for device setting. Device name is a title of External Device set with GP-Pro EX.(Initial value [PLC1])
IP Address	Set IP address of the External Device. NOTE <ul style="list-style-type: none"> Check with a network administrator about IP address. Do not set the duplicate IP address.
Port No.	Use an integer from 1025 to 65535 to enter the port No. of the External Device. IMPORTANT <ul style="list-style-type: none"> Do not use the following port No. because Ethernet unit reserves them in the system. UDP connection: 5001-5002 TCP connection: 5000-5002
Data Code	Select the data format to communicate with the External Device from "Binary code communication" or "ASCII code communication".
Network No.	Set PC No. when you communicate via network. Use an integer from 0 to 239 to enter network No. of the External Device to communicate. If you do not communicate via network, enter 0.
PC No.	Set PC No. when you communicate via network. Use an integer from 0 to 64 or 125 to 126 to enter PC No. of the External Device to communicate. If you do not communicate via network, enter 255.
I/O No.	Set PC No. when you communicate via network. Use an integer from 0 to 511 to enter I/O No. of the External Device to communicate. If you do not communicate via network, enter 1023.

Setup Items	Setup Description
Station No.	Enter a station number of the External Device, using 0 to 31.

(Page 2/2)

The content of [Ext. Setting] tab is used on the PLC ladder monitor. If the PLC ladder monitor is not used, the set value becomes invalid. Refer to the Mitsubishi Electric Q Series PLC Ladder Monitor Operation Manual for details of the ladder monitor.

Comm.	Device			
Q/QnA Series Ethernet		[UDP]	Page 2/2	
Device/PLC Name [PLC1] ▼				
Ext. Setting				
Host network No.		1	▼	▲
Host station No.		1	▼	▲
PC station No.		2	▼	▲
◀				
Exit		Back		2007/07/23 17:27:47

Setup Items	Setup Description
Host network No.	Input the network number that the Display is connected to from 1 through 239.
Host station No.	Input the PC station number of the Display from 1 through 64.
PC station No.	Input the PC station number of the External Device that is directly connected from 1 through 64.

NOTE

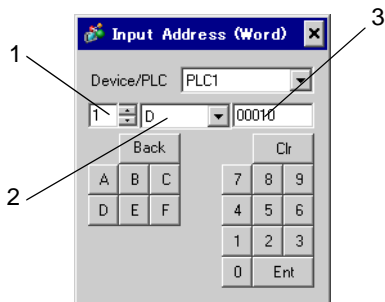
- Do not set the same PC station number within the same network.
- Refer to the [Ext. Setting] tab of "Setup Items in GP-Pro EX" for the examples of [Ext. Setting] tab.

☞ "◆ [Ext. Setting] tab" (page 25)

5 Supported Device

Range of supported device address is shown in the table below. Please note that the actually supported range of the devices varies depending on the External Device to be used. Please check the actual range in the manual of your External Device.

Input address of external device in the dialog below.



- | | |
|----------------|------------------------------------------------------------------------------------------------------------------------------------------------------------|
| 1. Unit Number | Select the number of a CPU unit to communicate with from 1 to 4.
Select "0" to access a CPU unit that is directly connected like the Single CPU System. |
| 2. Device | Specify a device. |
| 3. Address | Specify an address. |

This address can be specified as system data area.

Device	Bit Address	Word Address	32 bits	Notes
Input Relay	X0000 - X1FFF	X0000 - X1FF0	L/H	***0
Output Relay	Y0000 - Y1FFF	Y0000 - Y1FF0		***0
Internal Relay	M00000 - M32767	M00000 - M32752		÷16
Special Relay	SM0000 - SM2047	SM0000 - SM2032		÷16
Latch Relay	L00000 - L32767	L000000 - L32752		÷16
Annunciator	F00000 - F32767	F00000 - F32752		÷16
Edge Relay	V00000 - V32767	V00000 - V32752		÷16
Step Relay	S0000 - S8191	S0000 - S8176		÷16
Link Relay	B0000 - B7FFF	B0000 - B7FF0		***0
Special Link Relay	SB0000 - SB7FFF	SB0000 - SB7FF0		***0
Timer (Contact)	TS00000 - TS25023	-----		
Timer (Coil)	TC00000 - TC25023	-----		
Retentive Timer (Contact)	SS00000 - SS25023	-----		
Retentive Timer (Coil)	SC00000 - SC25023	-----		
Counter (Contact)	CS00000 - CS25023	-----		
Counter (Coil)	CC00000 - CC25023	-----		
Timer (Current Value)	-----	TN00000 - TN25023		
Retentive Timer (Current Value)	-----	SN00000 - SN25023		
Counter (Current Value)	-----	CN00000 - CN25023		
Data Register	-----	D00000 - D28159		Bit F
Special Register	-----	SD0000 - SD2047	Bit F	
Link Register	-----	W0000 - W6DFF	Bit F	
Special Link Register	-----	SW0000 - SW6DFF	Bit F	
File Register (Normal)	-----	R00000 - R32767	*1 Bit F	
File Register (Block switching is not necessary)	-----	ZR00000000 - ZR4184063	*1 Bit F	

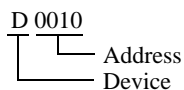
Device	Bit Address	Word Address	32 bits	Notes
File Register (0R - 31R)* ²	-----	0R0000 - 0R32767	L/H	*1 Bit F
	-----	1R0000 - 1R32767		
	-----	2R0000 - 2R32767		
	:	:		
	-----	30R0000 - 30R32767		
	-----	31R0000 - 31R26623		

*1

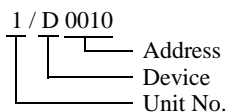
*2 Set the block No. on the head of device name. This is the device name for conversion with GP-Pro/PBIII for Windows. When you newly specify the device, we recommend that you should use the file register (Block switching is not necessary).

NOTE

- The notation of addresses differs depending on a selected Unit No.
<Ex.>When 0 is selected for Unit No.,



<Ex.>When 1 is selected for Unit No.,



- Please refer to the GP-Pro EX Reference Manual for system data area.
Cf. GP-Pro EX Reference Manual "Appendix 1.4 LS Area (only for direct access method)"
- Please refer to the precautions on manual notation for icons in the table.
 "Manual Symbols and Terminology"

6 Device Code and Address Code

Use device code and address code when you select "Device & Address" for the address type in data displays.

Device	Device Name	Device Code (HEX)	Address Code
Input Relay	X	0080	Value of word address divided by 0x10
	1/X	0180	
	2/X	0280	
	3/X	0380	
	4/X	0480	
Output Relay	Y	0081	Value of word address divided by 0x10
	1/Y	0181	
	2/Y	0281	
	3/Y	0381	
	4/Y	0481	
Internal Relay	M	0082	Value of word address divided by 16
	1/M	0182	
	2/M	0282	
	3/M	0382	
	4/M	0482	
Special Relay	SM	0083	Value of word address divided by 16
	1/SM	0183	
	2/SM	0283	
	3/SM	0383	
	4/SM	0483	
Latch Relay	L	0084	Value of word address divided by 16
	1/L	0184	
	2/L	0284	
	3/L	0384	
	4/L	0484	

continued to next page

Device	Device Name	Device Code (HEX)	Address Code
Annunciator	F	0085	Value of word address divided by 16
	1/F	0185	
	2/F	0285	
	3/F	0385	
	4/F	0485	
Edge Relay	V	0086	Value of word address divided by 16
	1/V	0186	
	2/V	0286	
	3/V	0386	
	4/V	0486	
Step Relay	S	0087	Value of word address divided by 16
	1/S	0187	
	2/S	0287	
	3/S	0387	
	4/S	0487	
Link Relay	B	0088	Value of word address divided by 0x10
	1/B	0188	
	2/B	0288	
	3/B	0388	
	4/B	0488	
Special Link Relay	SB	0089	Value of word address divided by 0x10
	1/SB	0189	
	2/SB	0289	
	3/SB	0389	
	4/SB	0489	
Timer (Current Value)	TN	0060	Word Address
	1/TN	0160	
	2/TN	0260	
	3/TN	0360	
	4/TN	0460	

continued to next page

Device	Device Name	Device Code (HEX)	Address Code
Retentive Timer (Current Value)	SN	0062	Word Address
	1/SN	0162	
	2/SN	0262	
	3/SN	0362	
	4/SN	0462	
Counter (Current Value)	CN	0061	Word Address
	1/CN	0161	
	2/CN	0261	
	3/CN	0361	
	4/CN	0461	
Data Register	D	0000	Word Address
	1/D	0100	
	2/D	0200	
	3/D	0300	
	4/D	0400	
Special Register	SD	0001	Word Address
	1/SD	0101	
	2/SD	0201	
	3/SD	0301	
	4/SD	0401	
Link Register	W	0002	Word Address
	1/W	0102	
	2/W	0202	
	3/W	0302	
	4/W	0402	
Special Link Register	SW	0003	Word Address
	1/SW	0103	
	2/SW	0203	
	3/SW	0303	
	4/SW	0403	

continued to next page

Device	Device Name	Device Code (HEX)	Address Code
File Register (Normal)	R	000F	Word Address
	1/R	010F	
	2/R	020F	
	3/R	030F	
	4/R	040F	
File Register (Block switching is not necessary)	ZR	000E	Word Address
	1/ZR	010E	
	2/ZR	020E	
	3/ZR	030E	
	4/ZR	040E	

continued to next page

Device	Device Name	Device Code (HEX)	Address Code
File Register (0R-31R)	0R	0010	Word Address
	1/0R	0110	
	2/0R	0210	
	3/0R	0310	
	4/0R	0410	
	1R	0011	Word Address
	1/1R	0111	
	2/1R	0211	
	3/1R	0311	
	4/1R	0411	
	2R	0012	Word Address
	1/2R	0112	
	2/2R	0212	
	3/2R	0312	
	4/2R	0412	
	:	:	:
	30R	002E	Word Address
	1/30R	012E	
	2/30R	022E	
	3/30R	032E	
	4/30R	042E	
	31R	002F	Word Address
	1/31R	012F	
	2/31R	022F	
3/31R	032F		
4/31R	042F		

7 Error Messages

Error messages are displayed on the screen of Display as follows: "No. : Device Name: Error Message (Error Occurrence Area)". Each description is shown below.

Item	Description
No.	Error No.
Device Name	Name of External Device where error occurs. Device name of External Device is a title of External Device set with GP-Pro EX.(Initial value [PLC1])
Error Message	Displays messages related to the error which occurs.
Error Occurrence Area	<p>Displays IP address or device address of External Device where error occurs, or error codes received from External Device.</p> <p>NOTE</p> <ul style="list-style-type: none"> • IP address is displayed such as "IP address (Decimal): MAC address (Hex)". • Device address is displayed such as "Address: Device address". • Received error codes are displayed such as "Decimal [Hex]".

Display Examples of Error Messages

"RHAA035: PLC1: Error has been responded for device write command (Error Code: 2 [02])"

NOTE • Please refer to the manual of External Device for more detail of received error codes.
