

Backlight Replacement Guide

Thank you for purchasing the PS600-BU00 replacement backlight.

Be sure to read the following Backlight Replacement Warnings prior to replacing your GP/PS's backlight.

This replacement backlight package contains the following:

GP/PS Model Name	Backlight Model
PS600G Series	PS600-BU00
GP2600 Series	

If this backlight is not appropriate for your GP/PS or does not function correctly, please contact your local authorized GP/PS representative.

WARNINGS

- Be sure the GP/PS's power cord has been disconnected before changing the backlight. When the GP/PS's power cord is connected and the GP/PS is ON, high voltage runs through the wires in the backlight area - do not touch them!
- When the GP/PS's power cord has just been disconnected, the backlight area is still very hot! Be sure to wear gloves to prevent being burned.
- The backlight is very fragile. Do not touch the glass tube directly or try to remove its power cord. If the glass tube breaks you may be injured.



- *Change the entire backlight unit, i.e. both the tube and holder.*
- *Do not allow water, oil or fingerprints to remain on the tube, since they can all reduce the backlight's life.*

◆ Package Contents

- One (1) Replacement Backlight (Model:PS600-BU00)

◆ Items Required When Changing The GP/PS's Backlight

- Phillips screwdriver (no. 2) for GP's rear cover attachment screws.
- One pair of clean (preferably new) cotton gloves.

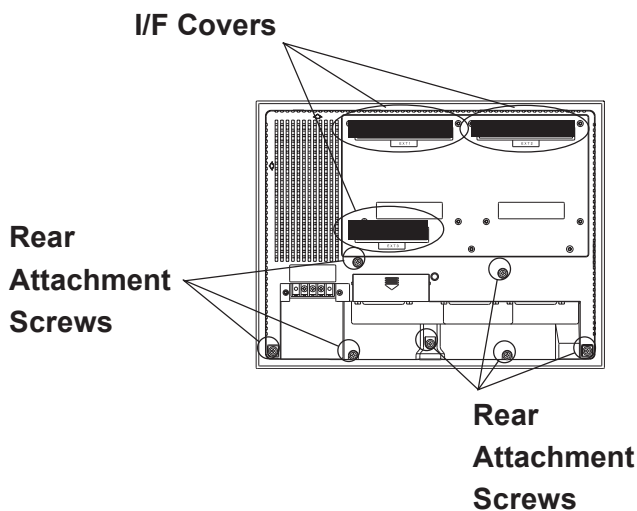
■ Backlight Replacement

Use the following steps to change the backlight.



Note: Prepare a small container for the removed attachment screws to prevent them from becoming lost or misplaced.

◆ GP2600/PS600G Series Unit Backlight Replacement (The following explanation uses a GP2600 series unit)



- 1) Turn the GP/PS's power OFF (i.e. disconnect the GP/PS's power cord). Remove the three (3) I/F covers, and use a Phillips screwdriver to remove the case's seven (7) rear attachment screws. Pivot the rear cover open, starting from the top of the unit.



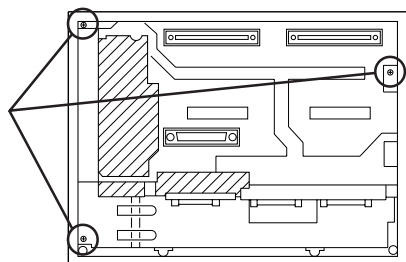
Important Since the attachment screws are small, be sure not to lose them or allow them to fall inside the GP/PS's case.

- 2) The cover is fastened at the bottom, and hinges open.

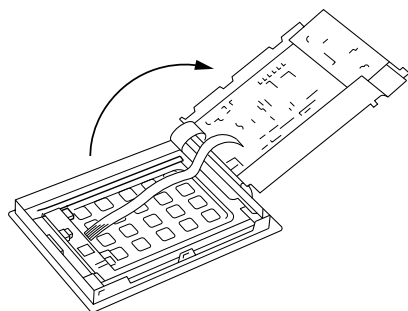


Important Be sure not to break the rear cover's four (4) alignment tabs when you open it.

Attachment
Screws



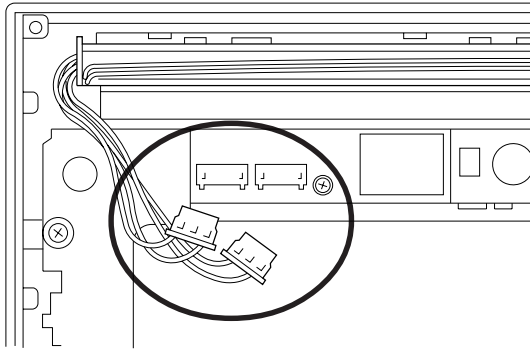
- 3) Loosen the three (3) circuit board attachment screws.



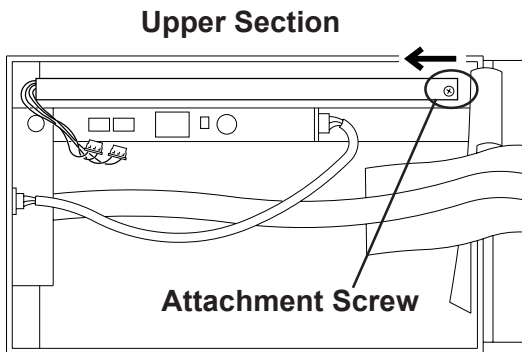
- 4) The circuit board is attached on one side, and hinges open.



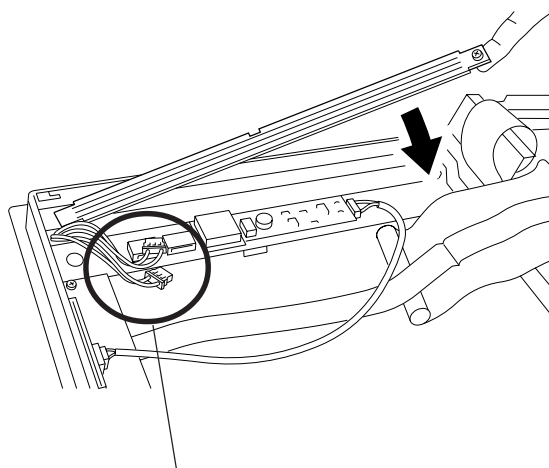
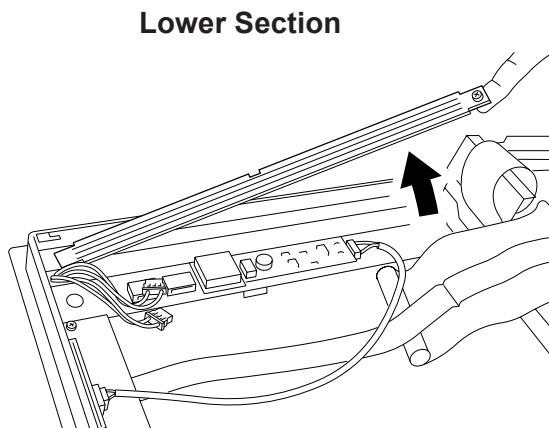
Important When the GP/PS's power has just been turned OFF, the circuit board chassis is still very hot! Be sure to wear gloves to prevent being burned.



5) Disconnect the backlight's two (2) power connectors.



6) Loosen the backlight unit attachment screw (the screw cannot be separated from the backlight unit), slide the backlight in the direction shown and remove it from the GP/PS.



Power Connectors

7) Insert the new backlight in the GP/PS. Insert the unit by sliding it in the direction shown in step 6), then, tighten the unit's attachment screw.

8) Connect the backlight's two (2) power connectors. Next, close the circuit board and secure the rear case in place using the attachment screws removed in steps 1), 2) and 3).



- *Be sure not to pinch or cut any of the GP/PS unit's internal wiring when closing the case.*
- *If any of the attachment screws becomes misplaced, check to be sure that they have not fallen inside the GP/PS. If a screw has fallen inside the GP/PS, do not connect the unit's power cord until it has been removed.*

After changing the backlight, be sure to check that your GP/PS display operates correctly. If a problem occurs, contact your local GP/PS distributor.
