

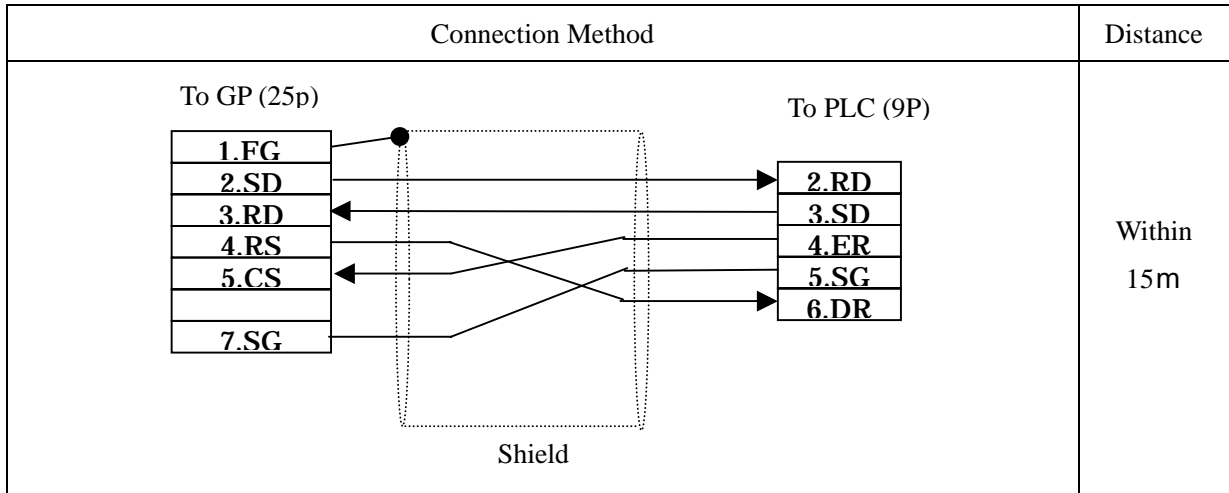
## Mitsubishi <17> Mitsubishi Electric Corporation

### FX Series + Expansion Board (Link Protocol) Connection

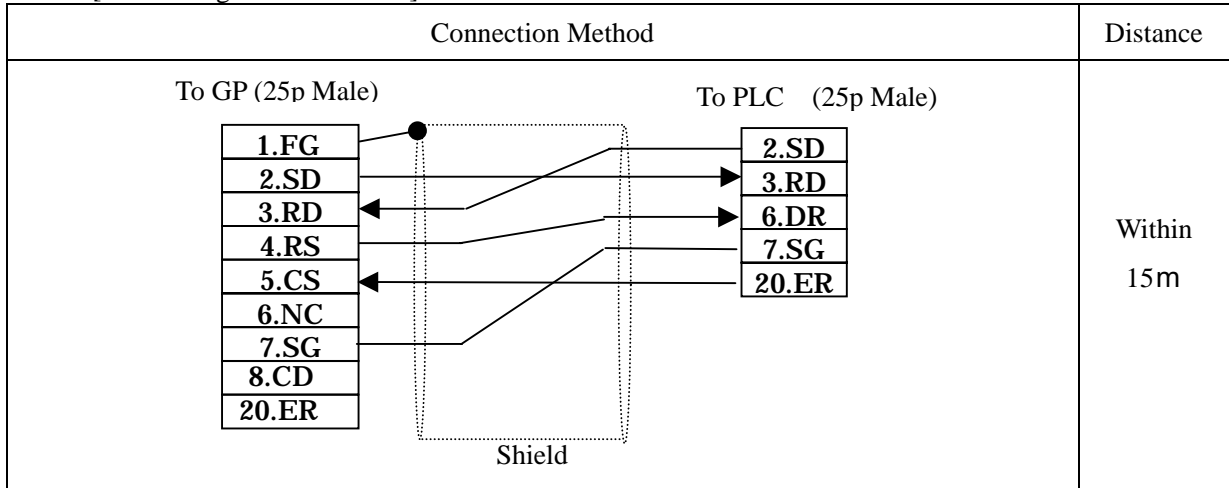
#### Connection Method

1 [RS-232C Connection]

1-1 [Connecting to FX-232-BD]



1-2 [Connecting to FX-232ADP]



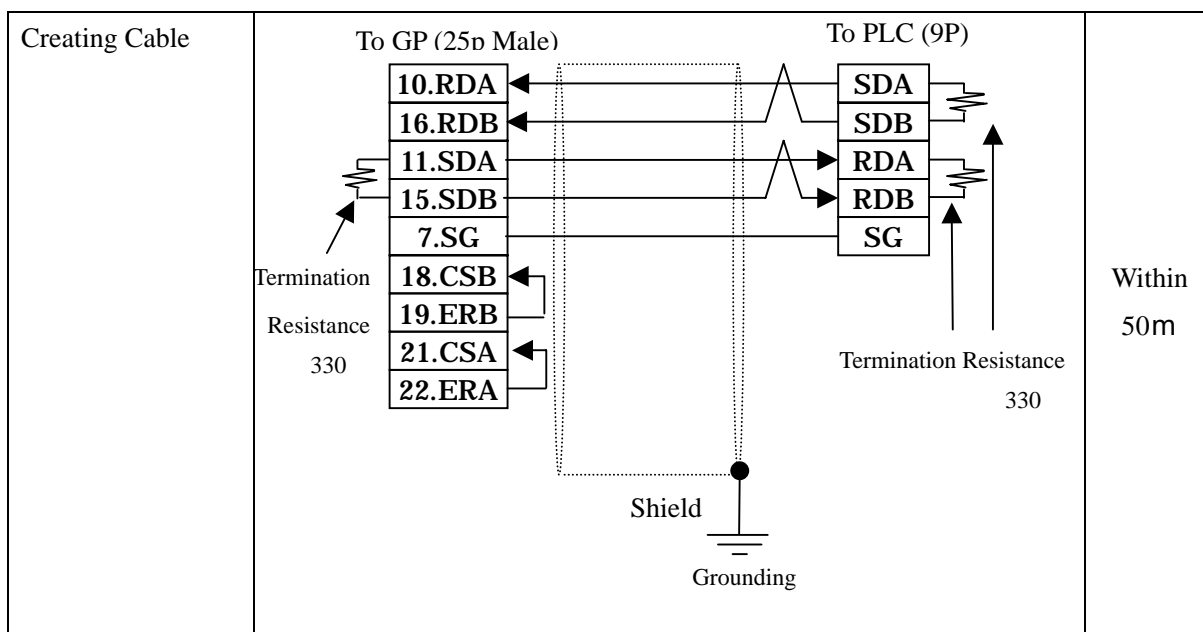
\* If a communication cable is used, it must be connected to the SG.

## Recommended Products

Connector/Cover for GP	D-sub 25 pin Plug	XM2A-2501	<OMRON Co.>
	Cover for D-sub 25 pin	XM2S-2511	<OMRON Co.>
	Jack Screw	XM2Z-0071	<OMRON Co.>
Cable	CO-MA-VV-SB5P × 28AWG <Hitachi Cable Ltd.>		
Setscrew	Metric Coarse Screw Tread : M2.6 × 0.45		

## 2 [RS-422 Connection]

Type	Connection Method	Distance
Using GP230-IS11-O	<p>To GP (25p Male)</p> <p>GP230-IS11-O</p> <p>Termination Resistance 330</p> <p>To PLC (9P)</p> <p>RDA, RDB, SDA, SDB, SG, FG</p> <p>Termination Resistance 330</p> <p>Grounding</p>	Range between 3 and 50 m
Using GP070-CN10-O	<p>Termination Resistance 330</p> <p>GP070-CN10-O</p> <p>Conversion Adapter</p> <p>To PLC (9P)</p> <p>RDA, RDB, SDA, SDB, TERM, SG, FG</p> <p>SDA, SDB, RDA, RDB, SG</p> <p>Termination Resistance 330</p> <p>Shield</p> <p>Grounding</p>	Within 50m



\* If a communication cable is used, it must be connected to the SG.

\* Termination Resistance

PLC / between SDA and SDB, between RDA and RDB : 330  
(with wattage that specified on PLC)

GP Unit / as required (Refer to Cable Diagrams) : 330  
(with wattage that specified on PLC)

### Recommended Products

Connector/Cover for GP	D-sub 25 pin Plug	XM2A-2501 <OMRON Co.>
	Cover for D-sub 25 pin	XM2S-2511 <OMRON Co.>
	Jack Screw	XM2Z-0071 <OMRON Co.>
Cable	SPEV(SB)-MPC-0.2*3P <Hitachi Cable Ltd.>	
Setscrew	Metric Coarse Screw Tread : M2.6 × 0.45	