


Mitsubishi <16> Mitsubishi Electric Corporation

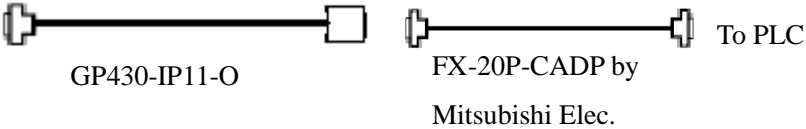
FX Series CPU Direct Connection

Connection Method

[Connecting to FX₁ / FX₂ / FX_{2C} Directly]

Type	Connection Method	Distance
Using GP430-IP11-O		5m


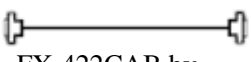
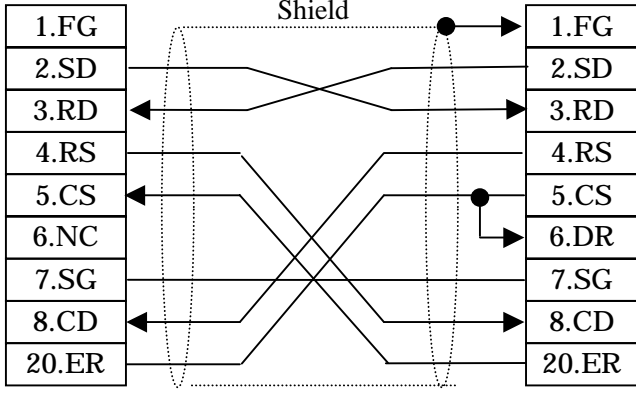
[Connecting to FX₀ / FX_{0S} / FX_{0N} / FX_{1S} / FX_{1N} / FX_{2N} / FX_{1NC} / FX_{2NC} directly
or Using Internal 2-Port Feature]

Connection Method		Distance
To GP	 <p>GP430-IP11-O</p> <p>FX-20P-CADP by Mitsubishi Elec.</p>	To PLC 5m



For direct connection, a user-created cable cannot be used. Please be sure to use GP430-IP11-O.

[Connecting to FX₁ / FX₂ / FX_{2C} via Interface Unit]

Type	Connection Method	Distance
Using GP410-IS00-O	To GP  GP410-IS00-O  To PLC	5m
Creating Cable between GP and Interface Unit	<p>To GP (25p Male) Shield To Interface Unit (25p Male)</p> 	Within 15m



* If a communication cable is used, it must be connected to the SG.

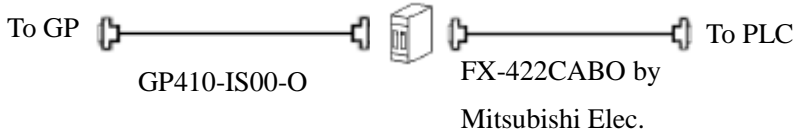



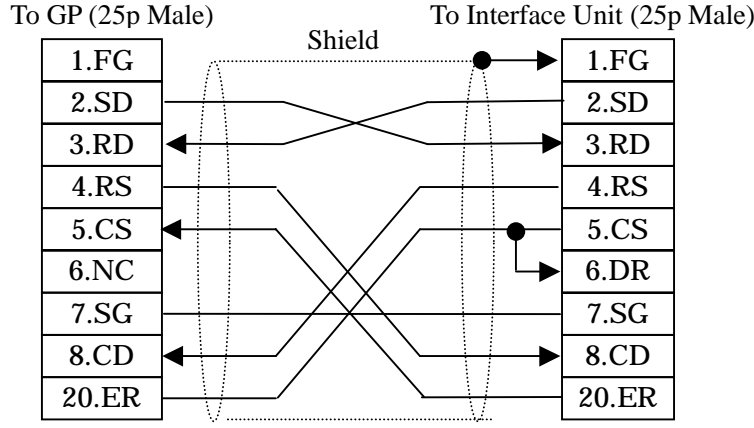


The optional cable, GP410-IS00-O is 5m long. If you need a longer cable or shorter, please use a user-created cable to connect.

Recommended Products

Connector/Cover for GP	D-sub 25 pin Plug	XM2A-2501 <OMRON Co.>
	Cover for D-sub 25 pin	XM2S-2511 <OMRON Co.>
	Jack Screw	XM2Z-0071 <OMRON Co.>
Cable	CO-MA-VV-SB5P × 28AWG <Hitachi Cable Ltd.>	
Setscrew	Metric Coarse Screw Tread : M2.6 × 0.45	

[Connecting to FX₀ / FX_{0S} / FX_{0N} / FX_{1S} / FX_{1N} / FX_{2N} / FX_{1NC} / FX_{2NC} via Interface Unit]

Type	Connection Method	Distance																		
Using GP410-IS00-O	 <p>To GP  — GP410-IS00-O —  FX-422CABO by Mitsubishi Elec. —  To PLC</p>	5m																		
Creating Cable between GP and Interface Unit	 <p>To GP (25p Male) Shield To Interface Unit (25p Male)</p> <table border="1" style="display: inline-table; margin-right: 20px;"> <tr><td>1.FG</td></tr><tr><td>2.SD</td></tr><tr><td>3.RD</td></tr><tr><td>4.RS</td></tr><tr><td>5.CS</td></tr><tr><td>6.NC</td></tr><tr><td>7.SG</td></tr><tr><td>8.CD</td></tr><tr><td>20.ER</td></tr> </table> <table border="1" style="display: inline-table;"> <tr><td>1.FG</td></tr><tr><td>2.SD</td></tr><tr><td>3.RD</td></tr><tr><td>4.RS</td></tr><tr><td>5.CS</td></tr><tr><td>6.DR</td></tr><tr><td>7.SG</td></tr><tr><td>8.CD</td></tr><tr><td>20.ER</td></tr> </table>	1.FG	2.SD	3.RD	4.RS	5.CS	6.NC	7.SG	8.CD	20.ER	1.FG	2.SD	3.RD	4.RS	5.CS	6.DR	7.SG	8.CD	20.ER	Within 15m
1.FG																				
2.SD																				
3.RD																				
4.RS																				
5.CS																				
6.NC																				
7.SG																				
8.CD																				
20.ER																				
1.FG																				
2.SD																				
3.RD																				
4.RS																				
5.CS																				
6.DR																				
7.SG																				
8.CD																				
20.ER																				



* If a communication cable is used, it must be connected to the SG.



The optional cable, GP410-IS00-O is 5m long. If you need a longer cable or shorter, please use a user-created cable to connect.

Recommended Products

Connector/Cover for GP	D-sub 25 pin Plug	XM2A-2501 <OMRON Co.>
	Cover for D-sub 25 pin	XM2S-2511 <OMRON Co.>
	Jack Screw	XM2Z-0071 <OMRON Co.>
Cable	CO-MA-VV-SB5P × 28AWG <Hitachi Cable Ltd.>	
Setscrew	Metric Coarse Screw Tread : M2.6 × 0.45	

[Connecting to FX₂ via 2-Port Adapter]

Type	Connection Method	Distance
Using GP070-MDCB11	<p>Cable with 5 wires Adapter with 5 contacts</p> <p>FX-422CAB by Mitsubishi Elec.</p> <p>Caution Cross the signal names of wires and ones of terminal block contacts.</p>	5m
Creating Cable	<p>To GP (25p Male) Adapter Terminal Block</p> <p>Termination Resistance 1/4W 330</p> <p>Shield</p> <p>Caution RS-422 Connector Terminal Adapter (GP070-CN10-O) cannot be used on the GP.</p>	Within 600m

Recommended Products

Connector/Cover for GP	D-sub 25 pin Plug	XM2A-2501 <OMRON Co.>
	Cover for D-sub 25 pin	XM2S-2511 <OMRON Co.>
	Jack Screw	XM2Z-0071 <OMRON Co.>
Terminal on Adapter	Equivalent to V1.25-MS3 <J.S.T. Mfg. Co., Ltd.>	
Cable	CO-SPEV-SB (A) 3PX0.5SQ <Hitachi Cable Ltd.>	
Setscrew	Metric Coarse Screw Tread : M2.6 × 0.45	

[Connecting FX_{0S} / FX_{0N} / FX_{1S} / FX_{1N} / FX_{2N} / FX_{1NC} / FX_{2NC} via 2-Port Adapter]

Type	Connection Method	Distance
Using GP070-MDCB11	<p>Cable with 5 wires Adapter with 5 contacts</p> <p>To GP</p> <p>To PLC</p> <p>FX-20P-CADP or FX-422CABO by Mitsubishi Elec.</p> <p>[Commercial D-sub 25 pin female-to-female converter connector is required.]</p> <p>Caution Cross the signal names of wires and ones of terminal block contacts.</p>	5m
Creating Cable	<p>To GP (25p Male) Adapter Terminal Block</p> <p>Termination Resistance 1/4W 330</p> <p>Shield</p> <p>Caution RS-422 Connector Terminal Adapter (GP070-CN10-O) cannot be used on the GP.</p>	Within 600m

Recommended Products

Connector/Cover For GP	D-sub 25 pin Plug	XM2A-2501 <OMRON Co.>
	Cover for D-sub 25 pin	XM2S-2511 <OMRON Co.>
	Jack Screw	XM2Z-0071 <OMRON Co.>
Terminal on Adapter	Equivalent to V1.25-MS3 <J.S.T. Mfg. Co., Ltd.>	
Cable	CO-SPEV-SB (A) 3PX0.5SQ <Hitachi Cable Ltd.>	
Setscrew	Metric Coarse Screw Tread : M2.6 × 0.45	