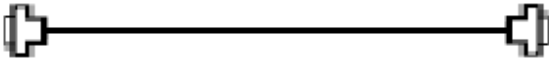
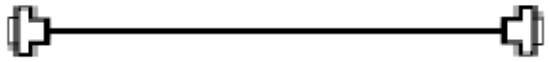
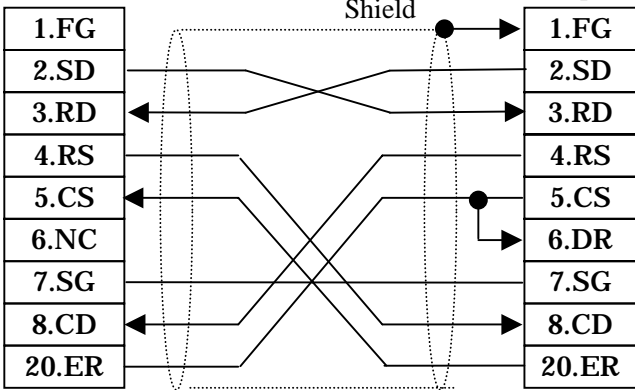


Mitsubishi <15> Mitsubishi Electric Corporation

F₂ Series Link Connection

Connection Method

Type	Connection Method	Distance
Using GP410-IS00-O		5m
Using F ₂ -232CAB by Mitsubishi Electric Corporation		3m
Creating Cable	<p>GP Unit (25p Male) Shield PLC (9p Male)</p> 	Within 15m



* If a communication cable is used, it must be connected to the SG.

The optional cable, GP410-IS00-O is 5m long. If you need a longer cable or shorter, please use a User-Created cable to connect.

Recommended Products

Connector/Cover for GP	D-sub 25 pin Plug	XM2A-2501 <OMRON Co.>
	Cover for D-sub 25 pin	XM2S-2511 <OMRON Co.>
	Jack Screw	XM2Z-0071 <OMRON Co.>
Cable	CO-MA-VV-SB5P × 28AWG	<Hitachi Cable Ltd.>
Setscrew	Metric Coarse Screw Tread :	M2.6 × 0.45