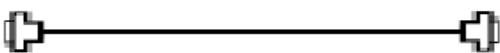
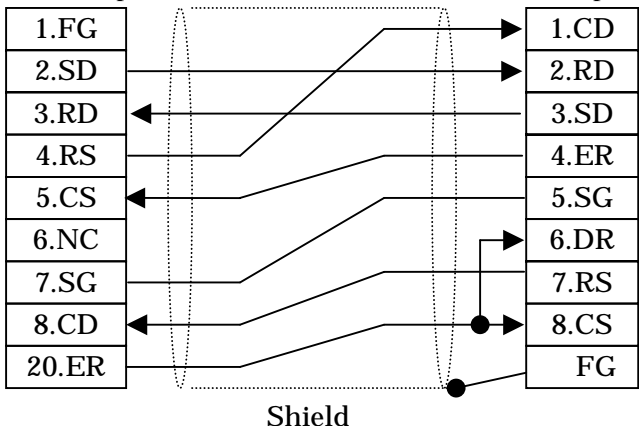


## Mitsubishi <10> Mitsubishi Electric Corporation

### Q Series (A Mode) + Link Unit Connection

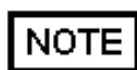
#### Connection Method

[ 1 ] RS-232C Connection

Type	Connection Method	Distance
Using GP000-IS02-MS		3m
Creating Cable	<p>GP Unit (25p Male)                      PLC (9p Male)</p>  <p style="text-align: center;">Shield</p>	Within 15m



\* If a communication cable is used, it must be connected to the SG.

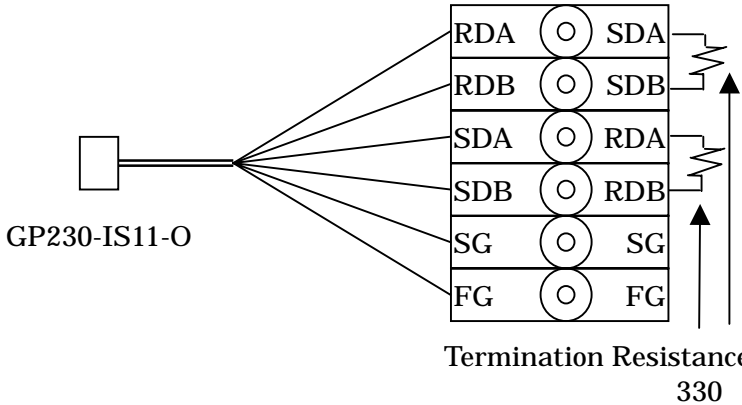
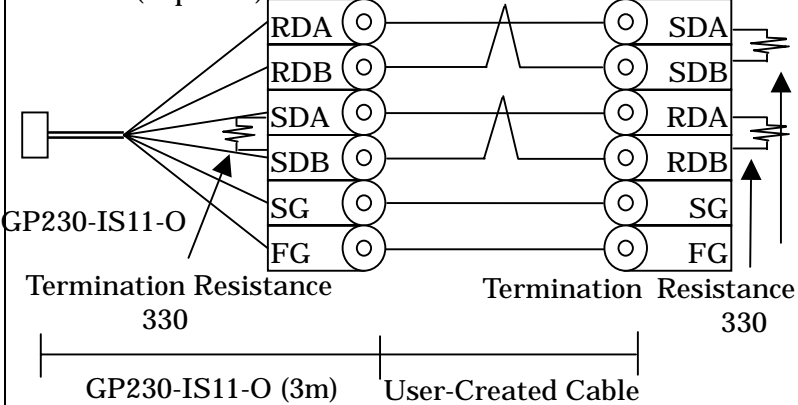
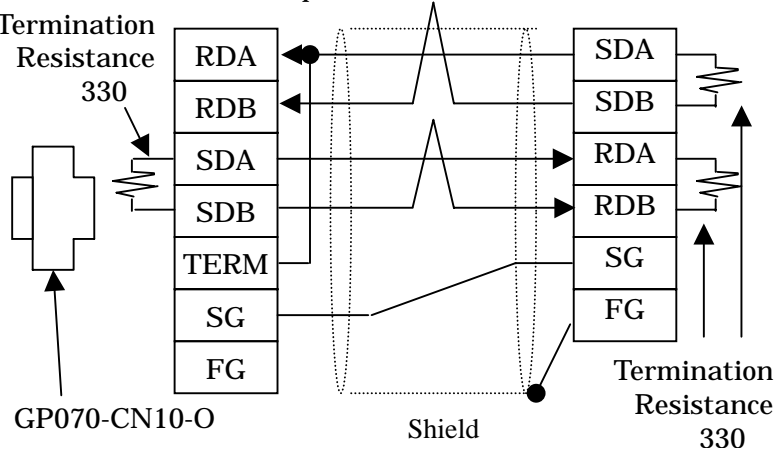


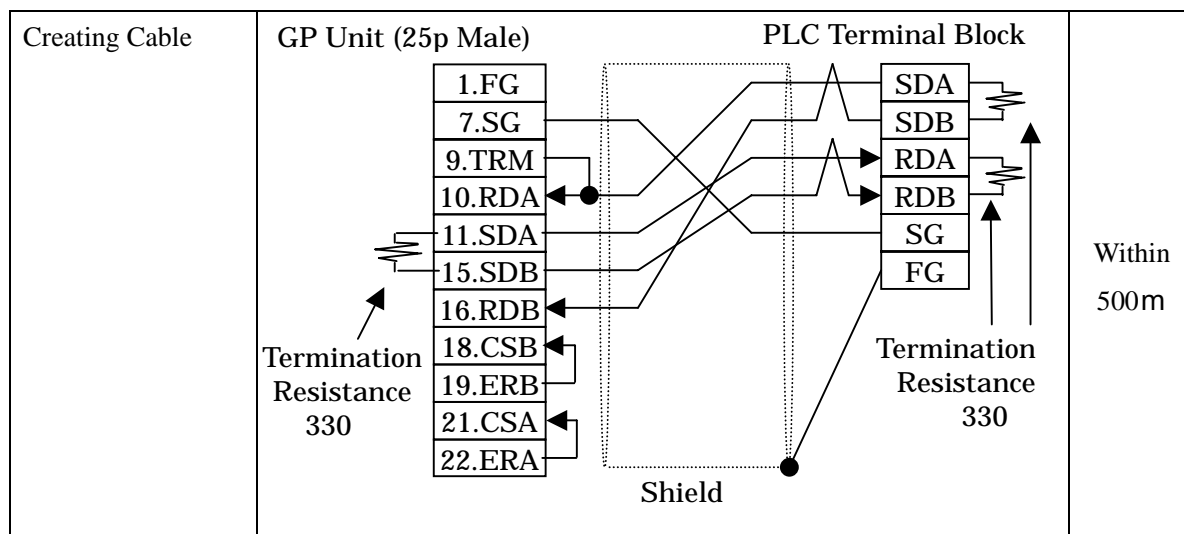
The optional cable, GP000-IS02-MS is 3m long. If you need a longer cable or shorter, please use a User-Created cable to connect.

#### Recommended Products

Connector/Cover for GP	D-sub 25 pin Plug	XM2A-2501	<OMRON Co.>
	Cover for D-sub 25 pin	XM2S-2511	<OMRON Co.>
	Jack Screw	XM2Z-0071	<OMRON Co.>
Cable	CO-MA-VV-SB5P × 28AWG <Hitachi Cable Ltd.>		
Setscrew	Metric Coarse Screw Tread : M2.6 × 0.45		

[ 2 ] RS-422 Connection

Type	Connection Method	Distance
Using GP230-IS11-O	<p>GP Unit (25pMale) <span style="float: right;">PLC Terminal Block</span></p>  <p>GP230-IS11-O</p> <p>Termination Resistance 330</p>	5m
Extending GP230-IS11-O	<p>GP Unit (25pMale) <span style="float: right;">PLC Terminal Block with 6 contacts</span></p> <p>Cable with 6 wires</p>  <p>GP230-IS11-O</p> <p>Termination Resistance 330</p> <p>Termination Resistance 330</p> <p>GP230-IS11-O (3m) User-Created Cable</p>	5 - 500 m
Using GP070-CN10-O	<p>Conversion Adapter <span style="float: right;">PLC Terminal Block</span></p>  <p>GP070-CN10-O</p> <p>Termination Resistance 330</p> <p>Shield</p> <p>Termination Resistance 330</p>	Within 500m



\* If a communication cable is used, it must be connected to the SG.

\* Termination Resistance

PLC / between SDA and SDB, between RDA and RDB : 330  
(with wattage specified on PLC)

GP Unit / as required (Refer to Cable Diagrams) : 330  
(with wattage specified on PLC)

### Recommended Products

Connector/Cover for GP	D-sub 25 pin Plug	XM2A-2501	<OMRON Co.>
	Cover for D-sub 25 pin	XM2S-2511	<OMRON Co.>
	Jack Screw	XM2Z-0071	<OMRON Co.>
Cable	SPEV(SB)-MPC-0.2*3P <Mitsubishi Cable Ind.>		
Setscrew	Metric Coarse Screw Tread : M2.6 × 0.45		