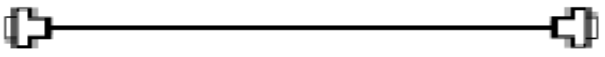
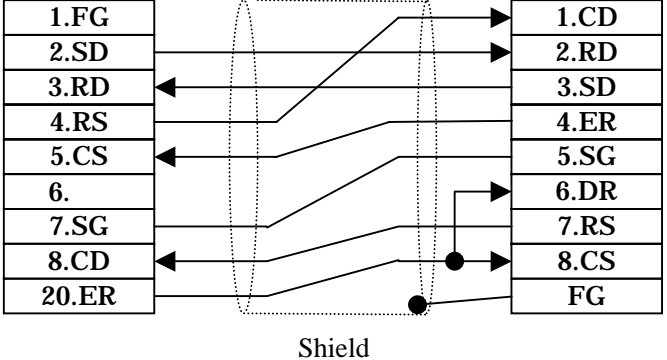


## Mitsubishi <2> Mitsubishi Electric Corporation A Series (AnUS) + Link Unit (Medium) Connection

### Connection Method

#### 1. RS-232C Connection

Type	Connection Method	Distance																		
Using GP000-IS02-MS		3m																		
Creating Cable	<div style="display: flex; justify-content: space-between;"> <div style="text-align: center;"> <p>To GP (25p Male)</p> <table border="1"> <tr><td>1.FG</td></tr> <tr><td>2.SD</td></tr> <tr><td>3.RD</td></tr> <tr><td>4.RS</td></tr> <tr><td>5.CS</td></tr> <tr><td>6.</td></tr> <tr><td>7.SG</td></tr> <tr><td>8.CD</td></tr> <tr><td>20.ER</td></tr> </table> </div> <div style="text-align: center;">  <p style="text-align: center;">Shield</p> </div> <div style="text-align: center;"> <p>To PLC (9p Male)</p> <table border="1"> <tr><td>1.CD</td></tr> <tr><td>2.RD</td></tr> <tr><td>3.SD</td></tr> <tr><td>4.ER</td></tr> <tr><td>5.SG</td></tr> <tr><td>6.DR</td></tr> <tr><td>7.RS</td></tr> <tr><td>8.CS</td></tr> <tr><td>FG</td></tr> </table> </div> </div>	1.FG	2.SD	3.RD	4.RS	5.CS	6.	7.SG	8.CD	20.ER	1.CD	2.RD	3.SD	4.ER	5.SG	6.DR	7.RS	8.CS	FG	Within 15m
1.FG																				
2.SD																				
3.RD																				
4.RS																				
5.CS																				
6.																				
7.SG																				
8.CD																				
20.ER																				
1.CD																				
2.RD																				
3.SD																				
4.ER																				
5.SG																				
6.DR																				
7.RS																				
8.CS																				
FG																				



\* If a communication cable is used, it must be connected to the SG.

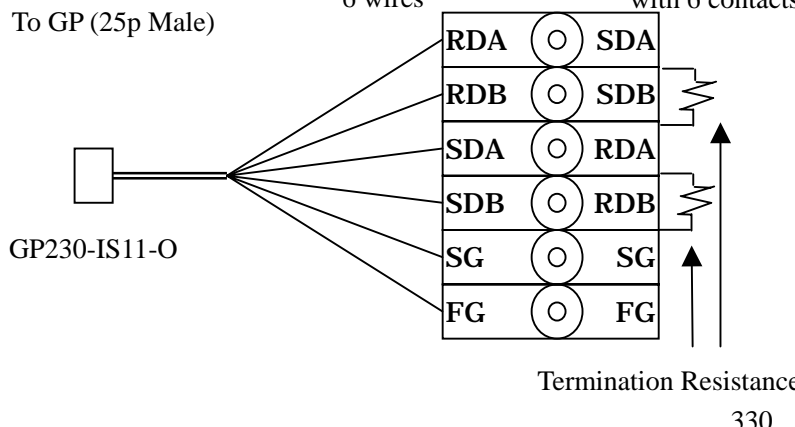
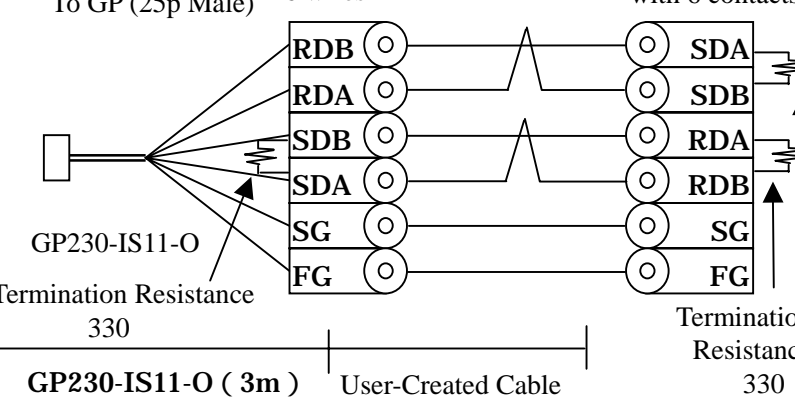


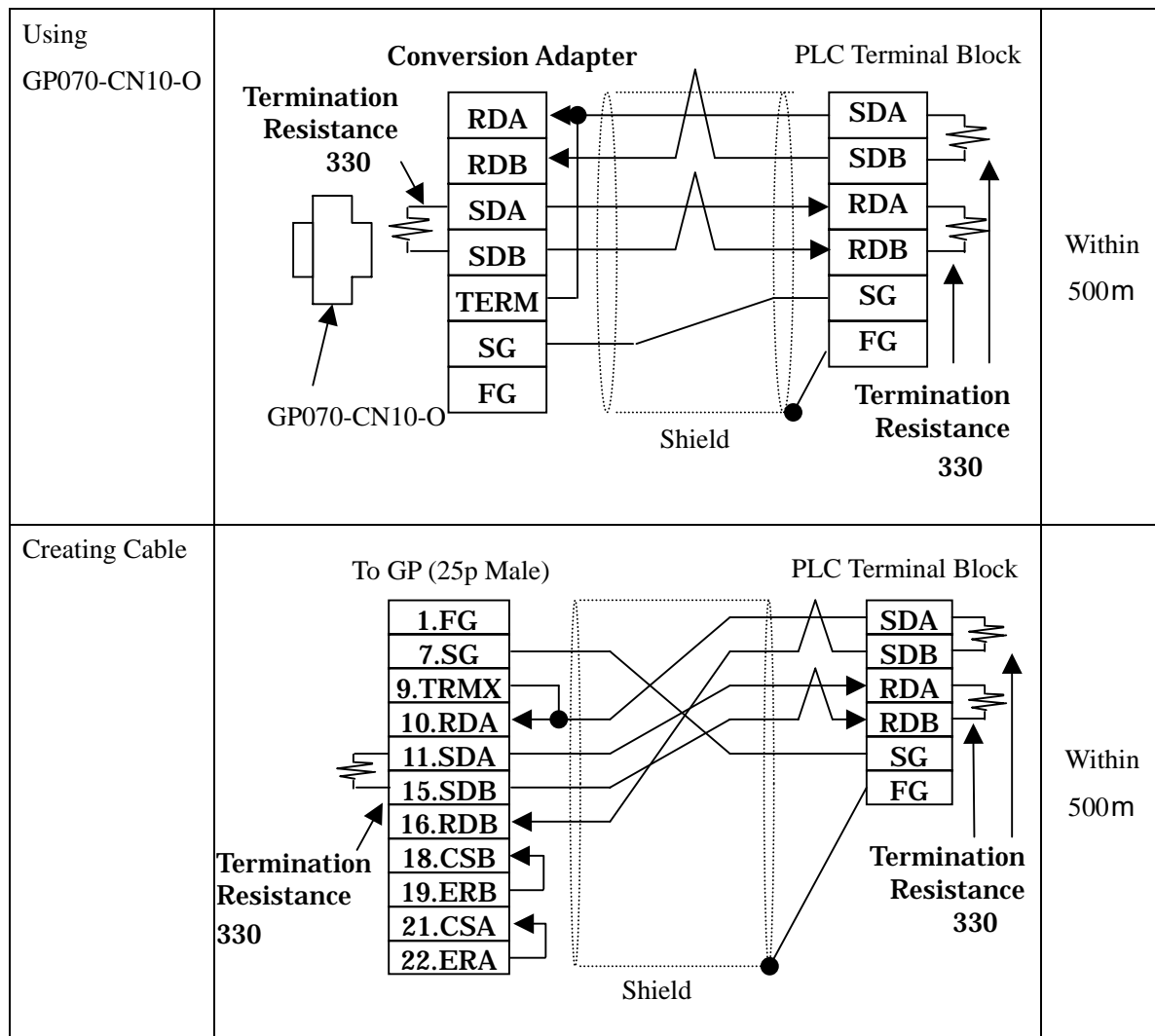
The optional cable, GP000-IS02-MS is 3m long. If you need a longer cable or shorter, please use a User-Created cable to connect.

### Recommended Products

Connector/Cover for GP	D-sub 25 pin Plug	XM2A-2501	<OMRON Co.>
	Cover for D-sub 25 pin	XM2S-2511	<OMRON Co.>
	Jack Screw	XM2Z-0071	<OMRON Co.>
Cable	CO-MA-VV-SB5P × 28AWG <Hitachi Cable Ltd.>		
Setscrew	Metric Coarse Screw Tread : M2.6 × 0.45		

## 2. RS-422 Connection

Type	Connection Method	Distance
Using GP230-IS11-O	<p style="text-align: center;">Cable with 6 wires      PLC Terminal Block with 6 contacts</p> <p>To GP (25p Male)</p>  <p style="text-align: right;">Termination Resistance 330</p>	5m
Extending GP230-IS11-O	<p style="text-align: center;">Cable with 6 wires      PLC Terminal Block with 6 contacts</p> <p>To GP (25p Male)</p>  <p style="text-align: right;">Termination Resistance 330</p> <p style="text-align: center;"> <span style="margin-right: 100px;">Termination Resistance 330</span> <span>GP230-IS11-O ( 3m )</span> <span style="margin-left: 100px;">User-Created Cable</span> <span style="margin-left: 100px;">Termination Resistance 330</span> </p>	5 - 500 m



\* If a communication cable is used, it must be connected to the SG.

\* Termination resistance when using AJ71UC24

PLC / between SDA and SDB, between RDA and RDB : 330  
(with wattage specified on PLC)

GP Unit / as required (Refer to Cable Diagrams) : 330  
(with wattage specified on PLC)

### Recommended Products

Connector/Cover for GP	D-sub 25 pin Plug	XM2A-2501 <OMRON Co.>
	Cover for D-sub 25 pin	XM2S-2511 <OMRON Co.>
	Jack Screw	XM2Z-0071 <OMRON Co.>
Cable	SPEV(SB)-MPC-0.2*3P <Mitsubishi Cable Ind.>	
Setscrew	Metric Coarse Screw Tread : M2.6 × 0.45	