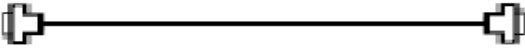
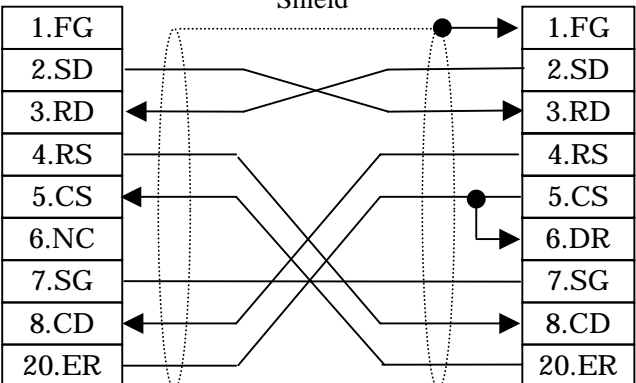


Mitsubishi <1> Mitsubishi Electric Corporation

A Series (AnU/AnA) + Link Unit (Large) Connection

Connection Method

1. RS-232C Connection

Type	Connection Method	Distance
Using GP410-IS00-O		5m
Creating Cable	<p>To GP (25p Male) Shield To PLC (25p Male)</p> 	Within 15m



* If a communication cable is used, it must be connected to the SG.

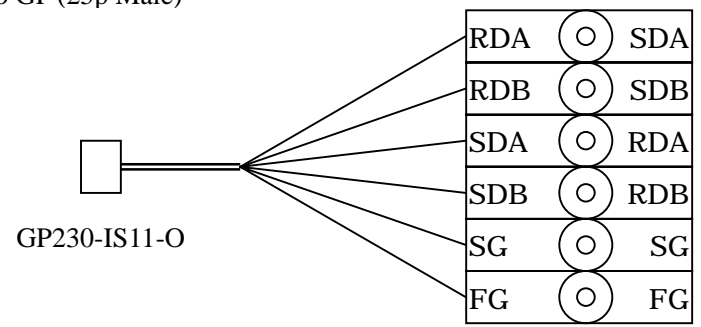
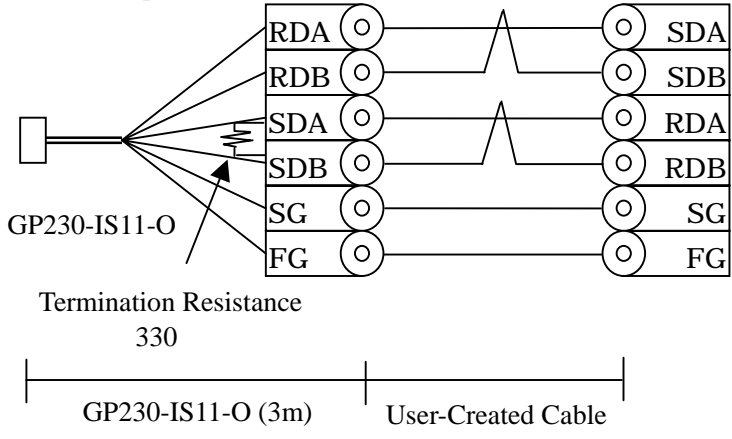
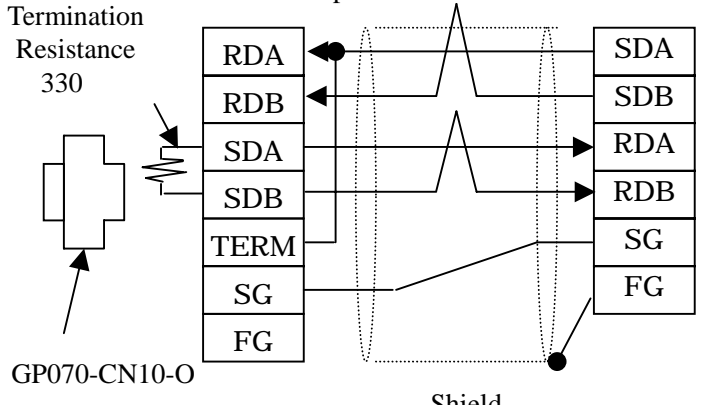


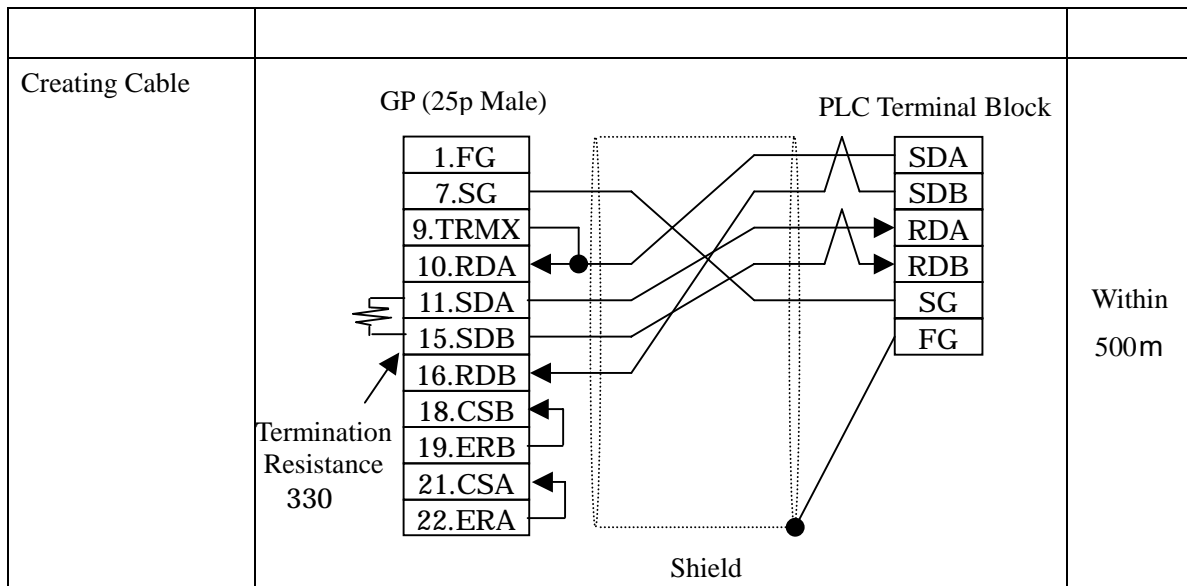
The optional cable, GP410-IS00-O is 5m long. If you need a longer cable or shorter, please use a User-Created cable to connect.

Recommended Products

Connector/Cover for GP	D-sub 25 pin Plug	XM2A-2501	<OMRON Co.>
	Cover for D-sub 25 pin	XM2S-2511	<OMRON Co.>
	Jack Screw	XM2Z-0071	<OMRON Co.>
Cable	CO-MA-VV-SB5P × 28AWG <Hitachi Cable Ltd.>		
Setscrew	Metric Coarse Screw Tread : M2.6 × 0.45		

2. RS-422 Connection

Type	Connection Method	Distance
Using GP230-IS11-O	<p style="text-align: center;">Cable with 6 wires PLC Terminal Block with 6 contacts</p> <p>To GP (25p Male)</p>  <p style="text-align: center;">GP230-IS11-O</p>	5m
Extending GP230-IS11-O	<p style="text-align: center;">Cable with 6 wires PLC Terminal Block with 6 contacts</p> <p>To GP (25p Male)</p>  <p style="text-align: center;">Termination Resistance 330</p> <p style="text-align: center;">GP230-IS11-O (3m) User-Created Cable</p>	5 - 500 m
Using GP070-CN10-O	<p style="text-align: center;">Conversion Adapter PLC Terminal Block</p> <p>Termination Resistance 330</p>  <p style="text-align: center;">GP070-CN10-O Shield</p>	Within 500m



- * If a communication cable is used, it must be connected to the SG.
- * Turn on the termination resistance switch on the PLC. (Excepting for AJ71UC24)
- * Termination resistance when using AJ71UC24

PLC /	between SDA and SDB, between RDA and RDB :	330
	(with wattage specified on PLC)	
GP Unit /	as required (Refer to Cable Diagrams) :	330
	(with wattage specified on PLC)	

Recommended Products

Connector/Cover for GP	D-sub 25 pin Plug	XM2A-2501	<OMRON Co.>
	Cover for D-sub 25 pin	XM2S-2511	<OMRON Co.>
	Jack Screw	XM2Z-0071	<OMRON Co.>
Cable	SPEV(SB)-MPC-0.2*3P <Mitsubishi Cable Ind.>		
Setscrew	Metric Coarse Screw Tread : M2.6 × 0.45		