

Easy! Smooth!
PL-69** Series
Replacement Guidebook

Preface

This guidebook introduces the procedures to replace your unit in the PL-69** series with the PL3000 or PS3000 series. The recommended replacement models are as follows:

Model in use	Replacement model
PL-69** Series	PL-3600T
	PS-365*A

Notations of operation systems:

Win95: Windows 95

WinNT: Windows NT Workstation 4.0

Win98: Windows 98 Second Edition

Win2000: Windows 2000 Professional

WinXP: Windows XP Professional

WinXPE: Windows XP Embedded

ML: Multilingual

First Edition: June 2009

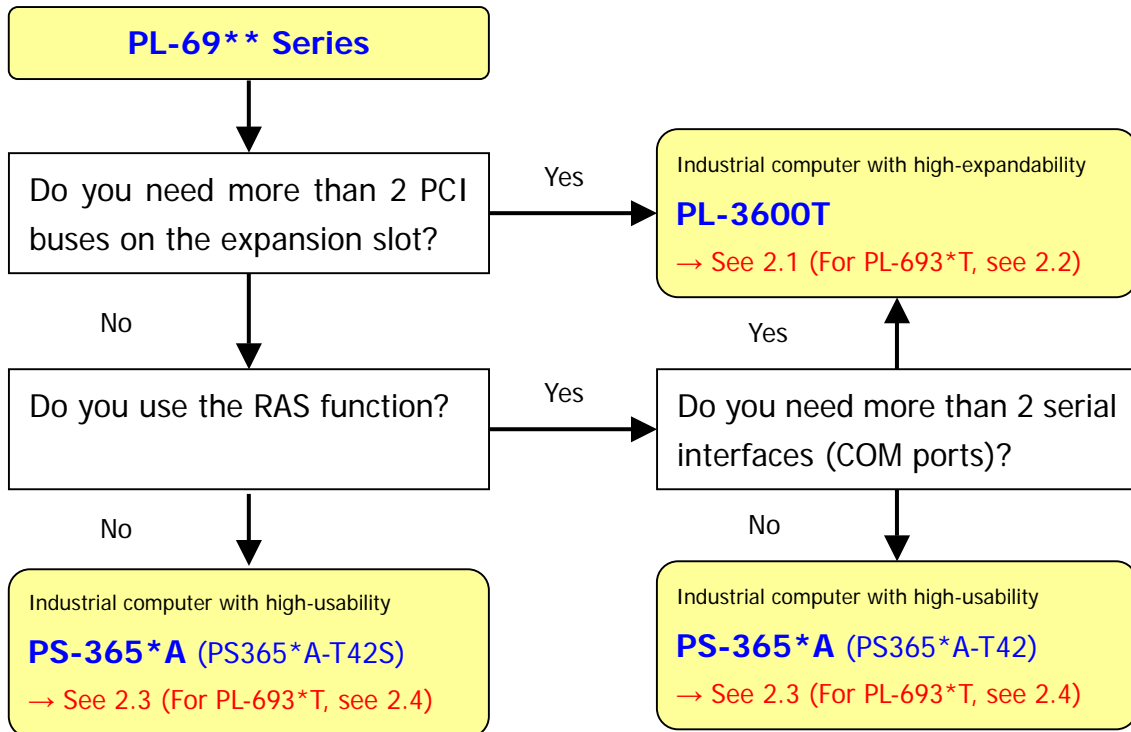
Table of Contents

PREFACE	2
TABLE OF CONTENTS	3
CHAPTER 1. REPLACEMENT MODELS FOR PL-69** SERIES	5
CHAPTER 2. SPECIFICATION COMPARISON	6
2.1 SPECIFICATIONS OF PL-690*T/PL-692*T AND PL-3600T	6
2.2 SPECIFICATIONS OF PL-693*T AND PS-3600T	8
2.3 SPECIFICATIONS OF PL-690*T/PL-692*T AND PS-365*A	10
2.4 SPECIFICATIONS OF PL-693*T AND PS-365*A	12
CHAPTER 3. COMPATIBILITY OF HARDWARE	14
3.1 LOCATIONS OF INTERFACES	14
3.1.1 PL-690*T/PL-692*T AND PL-3600T (2-SLOT TYPE).....	14
3.1.2 PL-690*T/PL-692*T AND PS-365*A	16
3.1.3 PL-693*T AND PL-3600T (2-SLOT TYPE)	18
3.1.4 PL-693*T AND PS-365*A.....	20
3.1.5 INTERFACE NAMES.....	21
3.2 CPU	23
3.3 MAIN MEMORY	23
3.4 PANEL CUT DIMENSIONS	23
3.5 PRINTER, PS/2, FLOPPY DISK DRIVE INTERFACE	23
3.6 RAS INTERFACE	23
3.7 HARD DISK	23
3.8 DVI-I INTERFACE	24
3.9 EXPANSION SLOT	24
3.10 COM2 AND RAS CONNECTORS ON PS-365*A	24
3.11 PCMCIA SLOT	24
3.12 OPTIONAL PRODUCTS	24

CHAPTER 4. COMPATIBILITY OF SOFTWARE	25
4.1 COMPATIBILITY OF MS-DOS	25
4.2 COMPATIBILITY OF WINDOWS	25
4.3 SUPPORTED OPERATING SYSTEMS	26
4.4 COMPARISON OF APPLICABLE PROGRAMS	27

Chapter 1. Replacement Models for PL-69** Series

Find the model best suited to your environment with the following flow chart:



Chapter 2. Specification Comparison

2.1 Specifications of PL-690*T/PL-692*T and PL-3600T

		PL-690*/PL-692* Series	PL-3600T	
CPU	PL-690*T	AMD-K6®-2 333MHz manufactured by AMD	UP! Intel® Core™ Duo 2.0GHz → See 3.2	
	PL-692*T	Pentium III 700MHz/1GHz		
Main Memory	PL-690*T	2 slots (Max. 128MB)	UP! 2 slots (Max. 4GB) → See 3.3	
	PL-692*T	2 slots (Max. 512MB)		
Graphics		SVGA (800 × 600 pixels)		
Display Colors		65,536 colors	UP! 262,144 colors	
Panel Cut Dimensions (mm [in.])		W331 × H272 [13.03 × 10.71]	NEW! W295.5 × H243.5 [11.63 × 9.59] → See 3.4	
External Dimensions (mm [in.]) * The number of slots is that of extension slots.	4 slots	W346 × H287 × D170 mm [13.62 × 11.30 × 6.69] (PL-6900T / 6920T)	NEW! W338 × H286 × D218 mm [13.31 × 11.26 × 8.58] → See 3.4	
	2 slots	W346 × H287 × D123 mm [13.62 × 11.30 × 4.84] (PL-6901T / 6921T)	NEW! W338 × H286 × D166 mm [13.31 × 11.26 × 6.54] → See 3.4	
Interface	Serial	COM1	RS-232C UP! RS-232C/422/485 (RI/+5V changeover)	
		COM2	RS-232C (PL-692*T: RI/+5V changeover) UP! RS-232C (RI/+5V changeover)	
		COM3	RS-232C (PL-692*T: RI/+5V changeover)	
		COM4	Used for the mouse emulator NEW! RS-232C	
	Printer		Centronics standard (SPP/ECP/EPP equivalent)	USB → See 3.5
	Keyboard		PS/2	USB → See 3.5
	Mouse		PS/2	USB → See 3.5

USB		USB 1.1 - 2 ports on the side - 1 port on front (PL-692*T only)	UP! USB 2.0 - 4 ports on the side, - 1 port on front
Ethernet	LAN1	10BASE-T/100BASE-TX (PL-692*T only)	UP! 10BASE-T/100BASE-TX /1000BASE-T
	LAN2	No	NEW! 10BASE-T/100BASE-TX
RAS		Yes	Yes → See 3.6
Disk	FDD	2 modes, 3.5" floppy disk	USB → See 3.5
	IDE	- 2.5" HDD unit × 1 - CD-ROM drive × 1	NEW! - CF card slot × 1 (Type I/II compatible) - DVD drive × 1
	Serial ATA	No	NEW! Serial ATA Rev.1.0a × 2 2.5" HDD unit or SSD unit → See 3.7
Sound		No	NEW! Speaker output
Video		No	NEW! DVI-I output → See 3.8
Expansion Slot	4 slots	ISA bus × 4 (PL-6900T/6920T) * For the 2 nd and 3 rd slots, either the PCI or the ISA type expansion bus can be used.	NEW! PCI (Rev.2.3) × 4 → See 3.9
	2 slots	ISA bus × 2 (PL-6901T/6921T) * For the 2 nd slot, either a PCI or ISA type expansion bus can be used.	NEW! PCI (Rev.2.3) × 2 → See 3.9

2.2 Specifications of PL-693*T and PL-3600T

		PL-693*T	PL-3600T	
CPU	PL693*-T41	Intel® Celeron® M 1.3GHz)	UP! Intel® Core™ Duo 2.0GHz → See 3.2	
	PL693*-T42	Intel® Pentium® M 1.6GHz, or Intel® Celeron® M 1.3GHz (Embedded optional items)		
Main Memory		1 slot (Max. 1GB)	UP! 2 slots (Max. 4GB) → See 3.3	
Graphics		SVGA (800 × 600 pixels)		
Display Colors		262,144 colors		
Panel Cut Dimensions (mm [in.])		W331 × H272 [13.03 × 10.71]	NEW! W295.5 × H243.5 [11.63 × 9.59] → See 3.4	
External Dimensions (mm [in.]) * The number of slots is that of extension slots.	4 slots	W346 × H287 × D170 mm [13.62 × 11.30 × 6.69] (PL-6930T)	NEW! W338 × H286 × D218 mm [13.31 × 11.26 × 8.58] → See 3.4	
	2 slots	W346 × H287 × D123 mm [13.62 × 11.30 × 4.84] (PL-6931T)	NEW! W338 × H286 × D166 mm [13.31 × 11.26 × 6.54] → See 3.4	
Interface	Serial	COM1	UP! RS-232C/422/485 (RI/+5V changeover)	
		COM2	RS-232C (RI/+5V changeover) RS-232C (RI/+5V changeover)	
		COM3	RS-232C (RI/+5V changeover) RS-232C	
		COM4	RS-232C	
	USB		USB 2.0 - 2 ports on the side, - 1 port on front	UP! USB 2.0 - 4 ports on the side, - 1 port on front
	Ethernet	LAN1	10BASE-T/100BASE-TX	UP! 10BASE-T/100BASE-TX /1000BASE-T
		LAN2	10BASE-T/100BASE-TX	
	RAS		Yes	Yes → See 3.6

	Disk	IDE	- 2.5" HDD unit × 2 - CD-ROM drive × 1	NEW! - CF card slot × 1 (Type I/II compatible) - DVD drive × 1
		Serial ATA	No	NEW! Serial ATA Rev.1.0a × 2 2.5" HDD unit or SSD unit → See 3.7
	Sound		Speaker output, Line input, Microphone input	Speaker output
	Video		No	NEW! DVI-I output → See 3.8
	PCMCIA/Card Bus		- Type II - Card bus-compatible (Excluding zoomed video and sound functions)	No → See 3.11
Expansion Slot	4 slots	- PCI × 1 (PL-6930T) - ISA × 3 * For the 3 rd and 4 th slots, which are the ISA buses, either the PCI or the ISA type expansion bus can be used.	NEW! PCI (Rev.2.3) × 4 → See 3.9	
	2 slots	- ISA × 2 (PL-6931T) * For the 2 nd slot, either a PCI or ISA type expansion bus can be used.	NEW! PCI (Rev.2.3) × 2 → See 3.9	

2.3 Specifications of PL-690*T/PL-692*T and PS-365*A

		PL-690*/PL-692* Series	PS-365*A	
CPU	PL-690*T	AMD-K6@-2 333MHz manufactured by AMD	UP! PL-3650A: Intel® Celeron® M 1.5GHz PL-3651A: Intel® ULV Celeron® M 1GHz	
	PL-692*T	Pentium III 700MHz/1GHz		
Main Memory	PL-690*T	2 slots (Max. 128MB)	UP! 1 slot (Max. 1GB)	
	PL-692*T	2 slots (Max. 512MB)	→ See 3.3	
Graphics		SVGA (800 × 600 pixels)	UP! XGA (1,024×768 pixels)	
Display Color		65,536 colors	UP! 262,144 colors	
Panel Cut Dimensions (mm [in.])		W331 × H272 [13.03 × 10.71]	NEW! W301.5 × H227.5 [11.87 × 8.96] → See 3.4	
External Dimensions (mm [in.])		W346 × H287 × D170 mm [13.62 × 11.30 × 6.69] (PL-6900T / 6920T)	NEW! W313×H239×D103mm(PS-3650A) [12.32 × 9.41 × 4.06]	
		W346 × H287 × D123 mm [13.62 × 11.30 × 4.84] (PL-6901T / 6921T)	W313×H239×D60mm(PS-3651A) [12.32 × 9.41 × 2.36] → See 3.4	
Interface	Serial	COM1	UP! RS-232C RS-232C/422/485 (RI/+5V changeover)	
		COM2	RS-232C (PL-692*T: RI/+5V changeover) RS-232C (RI-fixed) (only model with a COM2 port) → See 3.10	
		COM3	RS-232C (PL-692*T: RI/+5V changeover) No	
	Printer		Centronics standard (SPP/ECP/EPP equivalent)	USB → See 3.5
	Keyboard		PS/2	USB → See 3.5
	Mouse		PS/2	USB → See 3.5
	USB		USB 1.1 - 2 ports on the side - 1 port on front (PL-692*T only)	UP! USB 1.1 - 1 port on front USB 2.0 - 4 ports on the side

Ethernet	LAN1	10BASE-T/100BASE-TX (PL-692*T only)	10BASE-T/100BASE-TX
	LAN2	No	NEW! 10BASE-T/100BASE-TX /1000BASE-T
RAS		Yes	Yes (only model with an RAS port) → See 3.6, 3.10
Disk	FDD	2 modes, 3.5" floppy disk	USB → See 3.5
	IDE	- 2.5" HDD unit × 1 - CD-ROM drive × 1	NEW! - CF card slot × 1 (Type I/II compatible)
	Serial ATA	No	NEW! Serial ATA Rev.1.0 × 1 2.5" HDD unit → See 3.7
Sound		No	NEW! Stereo speaker output
PCMCIA/Card Bus		No	- Type II - Card bus-compatible (Excluding zoomed video and sound functions)
Expansion Slot		ISA bus × 4 (PL-6900T/6920T) * For the 2 nd and 3 rd slots, either the PCI or the ISA type expansion bus can be used.	NEW! PCI Rev.2.2 × 1 (PS-3650A) None slot (PS-3651A) → See 3.9
		ISA bus × 2 (PL-6901T/6921T) * For the 2 nd slot, either a PCI or ISA type expansion bus can be used.	

2.4 Specifications of PL-693*T and PS-365*A

		PL-693*T	PS-365*A	
CPU	PL693*-T41	Intel® Celeron M 1.3GHz	UP! PL-3650A: Intel® Celeron® M 1.5GHz	
	PL693*-T42	Intel® Pentium® M 1.6GHz, or Intel® Celeron® M 1.3GHz (Embedded optional items)	PL-3651A: Intel® ULV Celeron® M 1GHz	
Main Memory		1 slot (Max. 1GB)	UP! 1 slot (Max. 1GB) → See 3.3	
Graphics		SVGA (800 × 600 pixels)	UP! XGA (1,024×768 pixels)	
Display Color		262,144 colors		
Panel Cut Dimensions		W331 × H272 [13.03 × 10.71]	NEW! W301.5 × H227.5 [11.87 × 8.96] → See 3.4	
External Dimensions (mm [in.])		W346 × H287 × D170 mm [13.62 × 11.30 × 6.69] (PL-6930T)	NEW! W313×H239×D103mm(PS-3650A) [12.32 × 9.41 × 4.06]	
		W346 × H287 × D123 mm [13.62 × 11.30 × 4.84] (PL-6931T)	W313×H239×D60mm(PS-3651A) [12.32 × 9.41 × 2.36] → See 3.4	
Interface	Serial	COM1	RS-232C UP! RS-232C/422/485 (RI/+5V changeover)	
		COM2	RS-232C (RI/+5V changeover) NEW! RS-232C (RI-fixed) (only model with a COM2 port) → See 3.10	
		COM3	RS-232C (RI/+5V changeover) No	
	USB		USB 2.0 - 2 ports on the side, - 1 port on front	UP! USB 1.1 - 1 port on front USB 2.0 - 4 ports on the side
	Ethernet	LAN1	10BASE-T/100BASE-TX	
		LAN2	10BASE-T/100BASE-TX	NEW! 10BASE-T/100BASE-TX /1000BASE-T

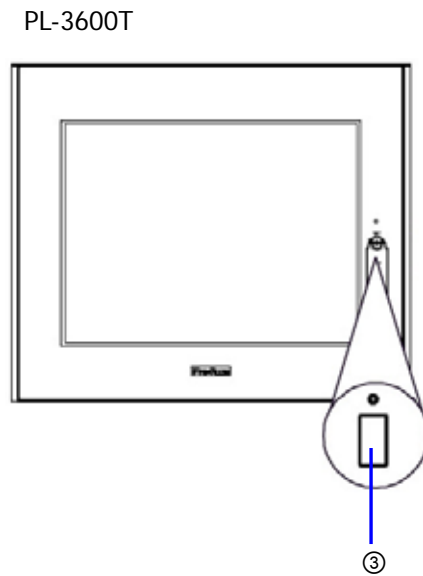
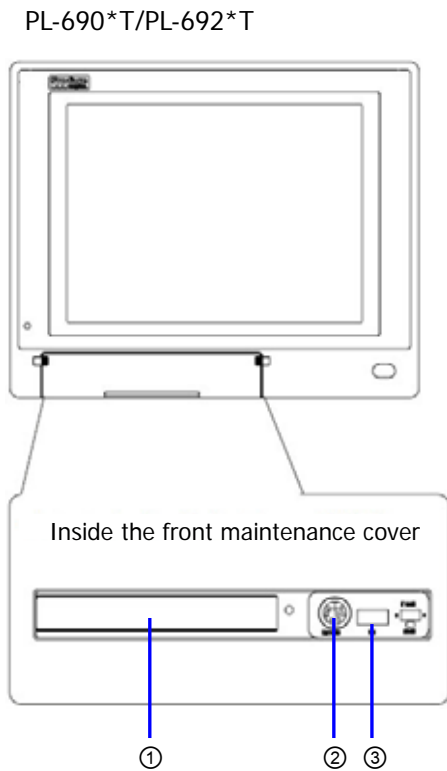
	RAS	Yes	Yes (only model with an RAS port) → See 3.10
	Disk	IDE	- 2.5" HDD unit × 2 - CD-ROM drive × 1 NEW! - CF card slot × 1 (Type I/II compatible)
		Serial ATA	No NEW! Serial ATA Rev.1.0 × 1 2.5" HDD unit → See 3.7
	Sound	Speaker output, Line input, Microphone input	Stereo speaker output
	PCMCIA/Card Bus	- Type II - Card bus-compatible (Excluding zoomed video and sound functions)	
	Expansion Slot	- PCI × 1 (PL-6930T) - ISA × 3 * For the 3 rd and 4 th slots, which are the ISA buses, either the PCI or the ISA type expansion bus can be used.	NEW! PCI Rev.2.2 × 1 (PS-3650A) None slot (PS-3651A) → See 3.9
		- ISA × 2 (PL-6931T) * For the 2 nd slot, either a PCI or ISA type expansion bus can be used.	

Chapter 3. Compatibility of Hardware

3.1 Locations of Interfaces

3.1.1 PL-690*T/PL-692*T and PL-3600T (2-slot type)

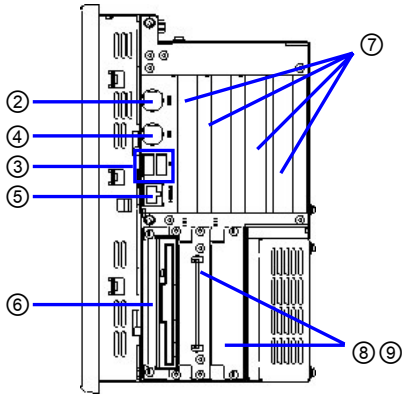
- ◆ Front faces of PL-690*T/PL-692*T and PL-3600T



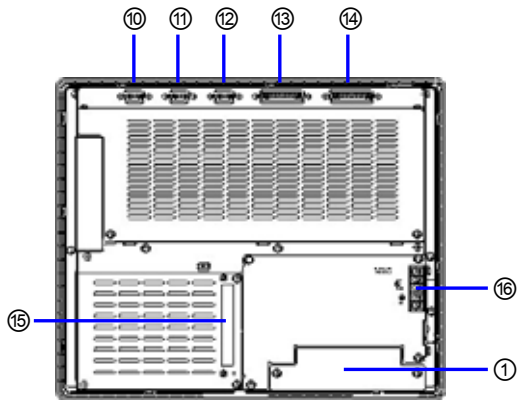
* PL-690*T doesn't have ③.

- ◆ Side and rear faces of PL-690*T/PL-692*T and side and bottom faces of PL-3600T

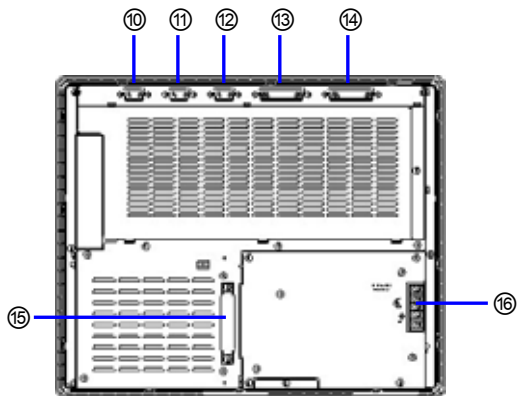
PL-690*T/PL-692*T



* PL-690*T doesn't have ③ and ⑤.

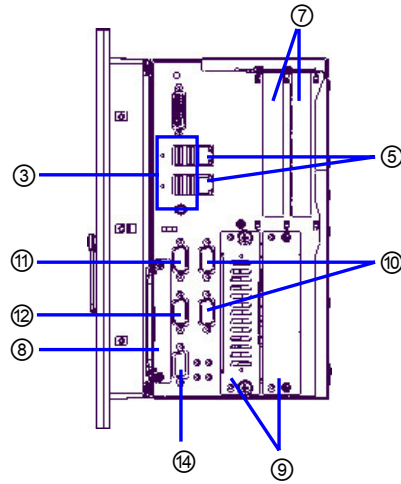


Rear of PL-6900T/PL-6920T

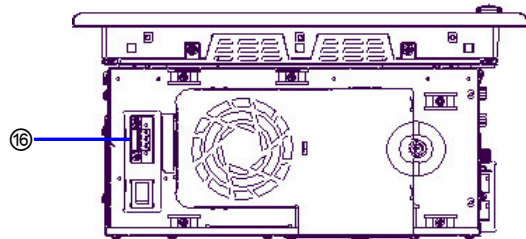


Rear of PL-6901T/PL-6921T

PL-3600T

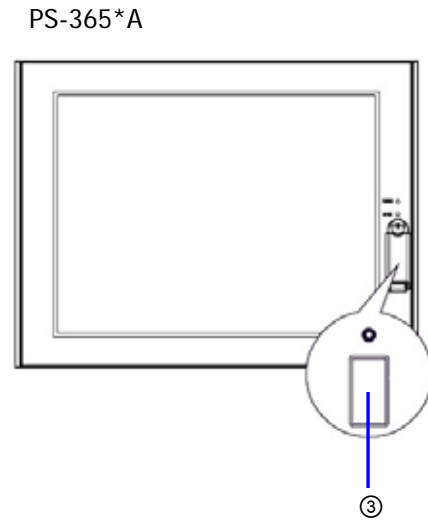
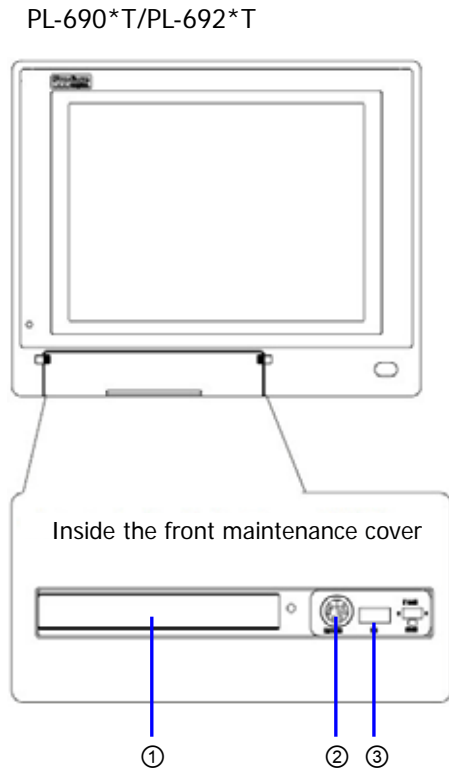


* A 4-slot type PL has 4 slots of ⑦.



3.1.2 PL-690*T/PL-692*T and PS-365*A

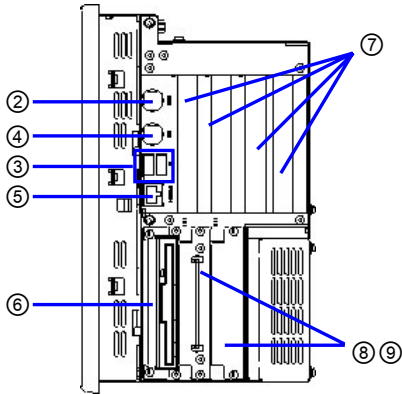
- ◆ Front faces of PL-690*T/PL-692*T and PS-365*A



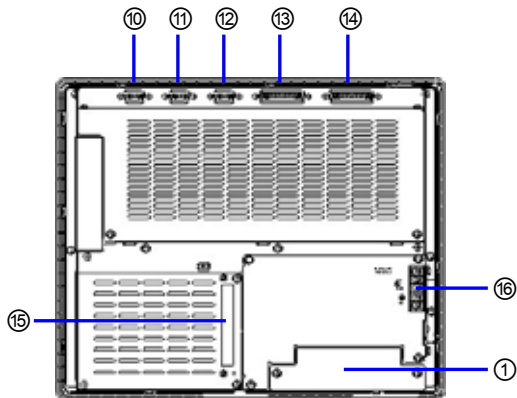
* PL-690*T doesn't have ③.

- ◆ Side and rear faces of PL-690*T/PL-692*T and side and bottom faces of PS-365*A

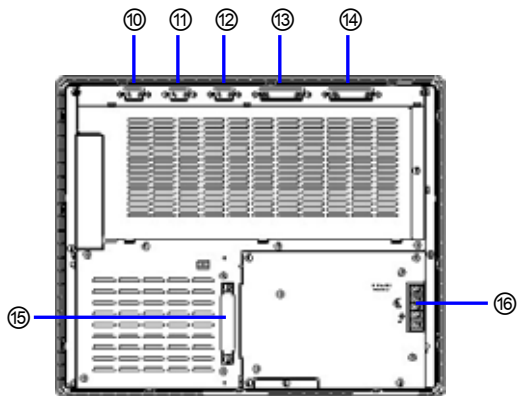
PL-690*T / PL-692*T



* PL-690*T doesn't have ③ and ⑤.

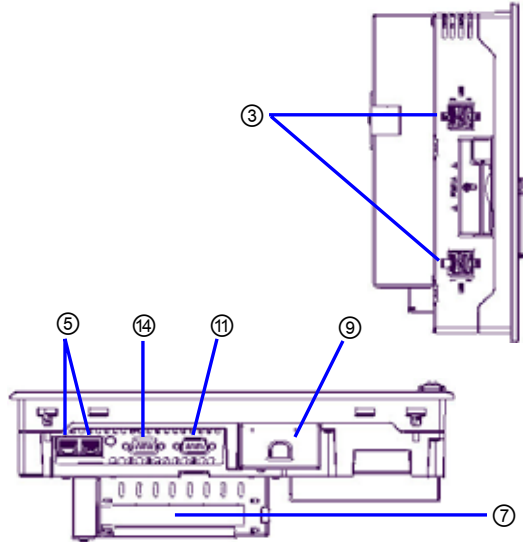


Rear of PL-6900T/PL-6920T



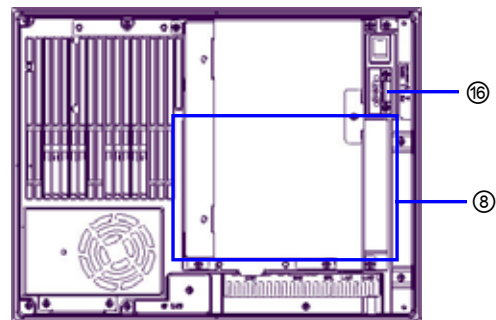
Rear of PL-6901T/PL-6921T

PS-365*A

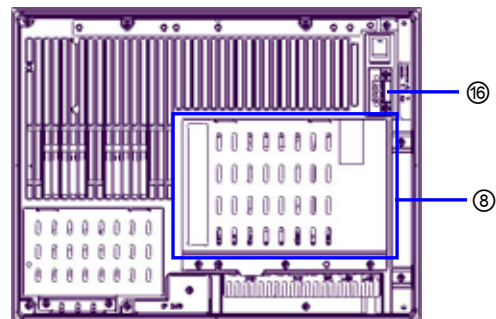


* PS-3651A doesn't have ⑦.

* Models without an RAS port has ⑩ instead of ⑭.
→ See 3.10



PS-3650A

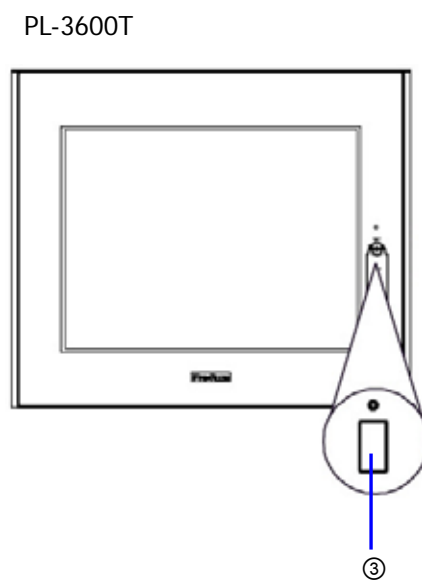
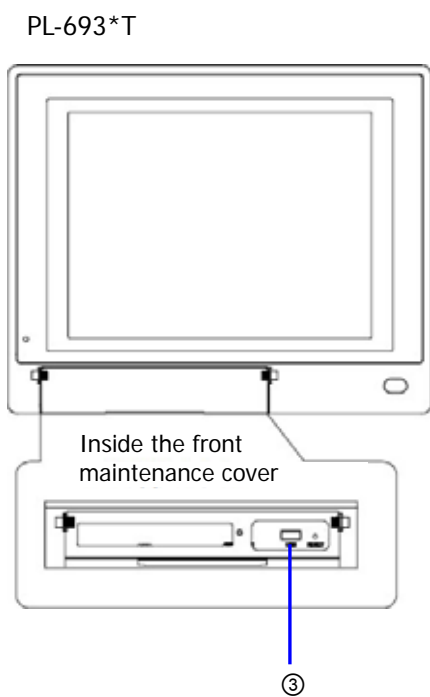


PS-3651A

* The HDD unit interface (⑧) is inside the disk cover.

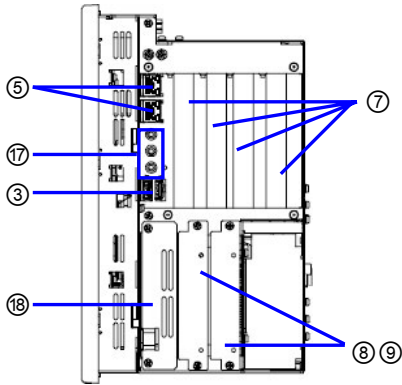
3.1.3 PL-693*T and PL-3600T (2-slot type)

- ◆ Front faces of PL-693*T and PL-3600T

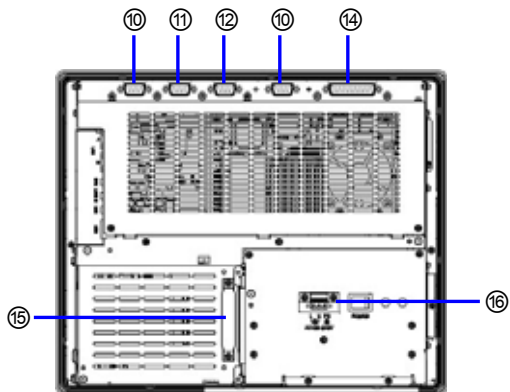


- ◆ Side and rear faces of PL-693*T and side and bottom faces of PL-3600T

PL-693*T

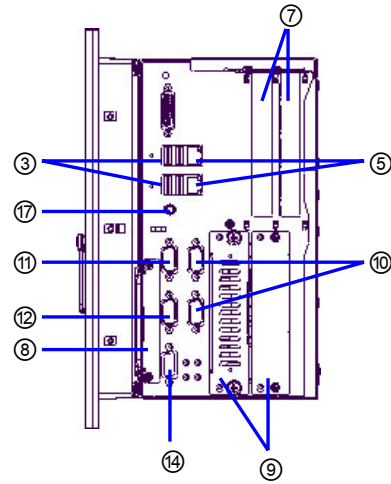


* PL-6931T has 2 slots of ⑦.

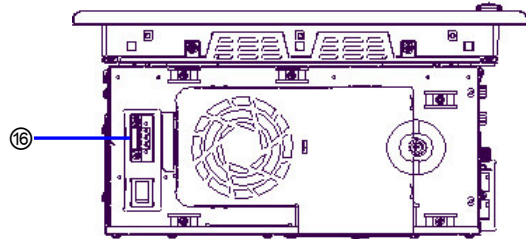


* The position of ⑯ on PL-6931T is a little higher.

PL-3600T

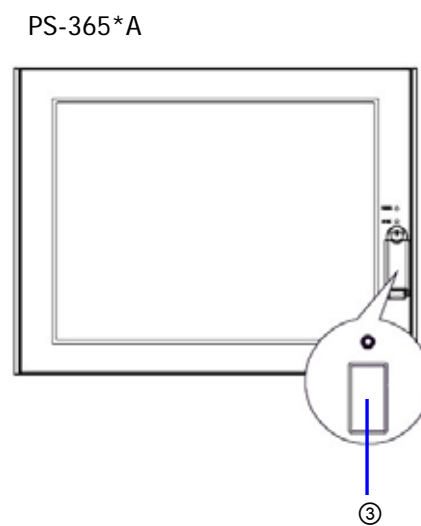
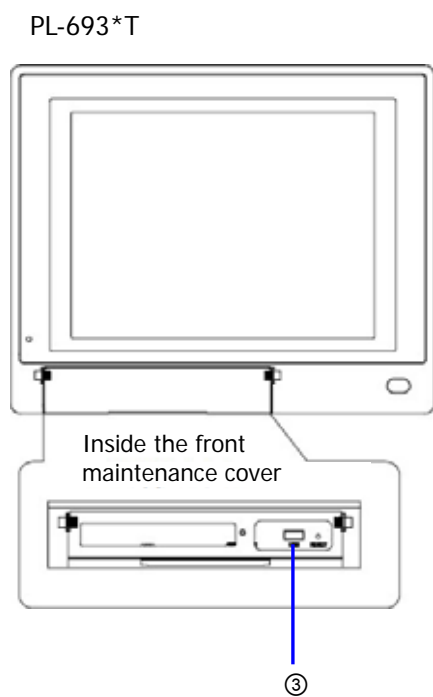


* A 4-slot type PL has 4 slots of ⑦.



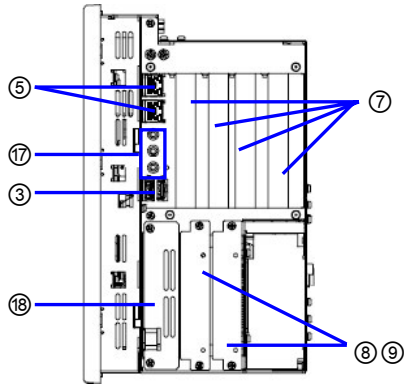
3.1.4 PL-693*T and PS-365*A

- ◆ Front faces of PL-693*T and PS-365*A

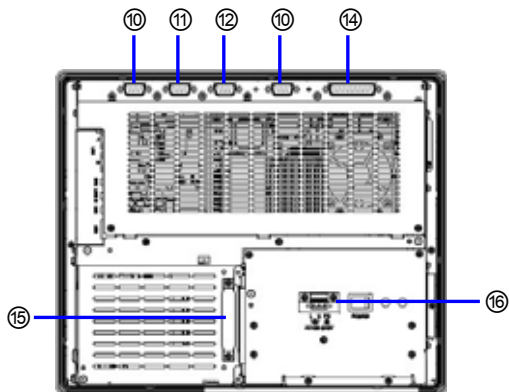


- ◆ Side and rear faces of PL-693*T and side and bottom faces of PS-365*A

PL-693*T

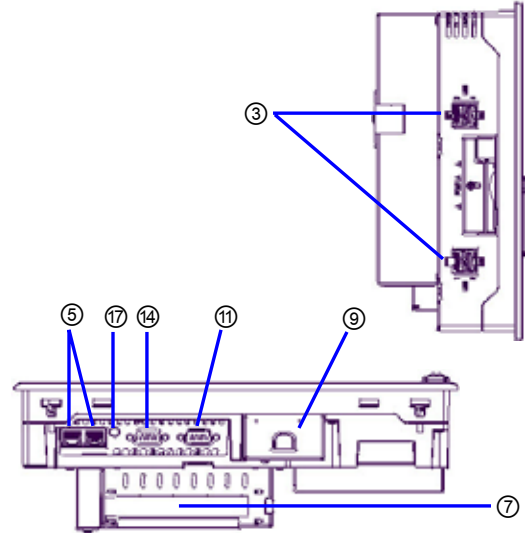


* PL-6931T has 2 slots of ⑦.



* The position of ⑩ on PL-6931T is a little higher.

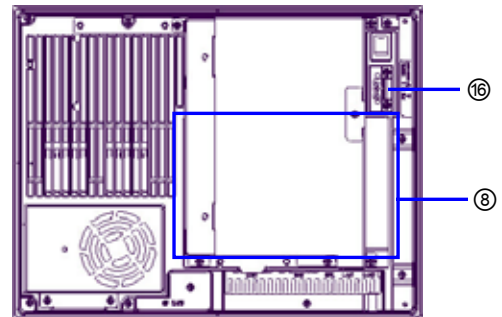
PS-365*A



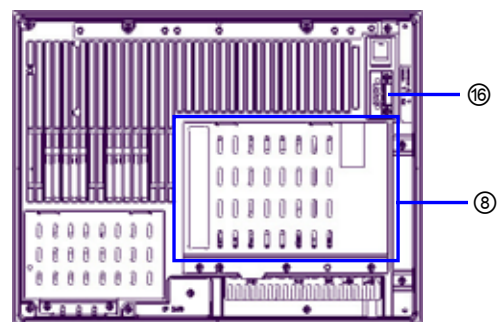
* PS-3651A doesn't have ⑦.

* Models without an RAS port has ⑩ instead of ⑭.

→ See 3.10



PS-3650A



PS-3651A

* The HDD unit interface (⑧) is inside the disk cover.

3.1.5 Interface Names

	PL-69** Series	PL-3600T/PS-365*A
①	Front mount FDD slot	-
②	Keyboard connector (PS/2)	-
③	USB connector	
④	Mouse connector (PS/2)	-
⑤	Ethernet connector	-
⑥	Side mount FDD slot	-
⑦	Expansion slot	
⑧	HDD slot / CF card slot	HDD slot
⑨	-	CF card slot
⑩	Serial interface (RS-232C)	
⑪	Serial interface (RS-232C) (PL-690*T: +5V non-changeable)	Serial interface (RS-232C/RS-422/RS-485)
⑫	Serial interface (RS-232C) (PL-690*T: +5V non-changeable)	Serial interface (RS-232C, +5V changeover) (PL-3600T only)
⑬	Printer connector	-
⑭	RAS connector	
⑮	IDE interface (CD-ROM drive)	-
⑯	Power terminal block	Power connector
⑰	Speaker output, line input, microphone input	Speaker output
⑱	PCMCIA/Card bus slot	PCMCIA/Card bus slot (PS-365*A only)

3.2 CPU

As for PL-3600T, the BTO menu allows you to change the CPU from Intel® Core™ Duo 2.0GHz to Intel® Celeron® M 440 1.86GHz (L2 cache memory: 1M, built-in). For the details, contact your nearest Pro-face office or local distributor.

3.3 Main Memory

PL-3600T and PS-365*A are different in memory type from the PL-69** series. The memory used in the PL-69** series cannot be installed on the replacement unit. According to the specifications of Windows, the allowed size of memory area on PL-3600T is approximately 3.5GB even if you install a 4GB memory.

3.4 Panel Cut Dimensions / External Dimensions

PL-3600T and PS-365*A are different in panel cut dimensions and external dimensions from the PL-69** series. By using optional Panel-Cut Conversion Attachment Brackets (model: APL3600-ATP69X0-01), you can install PL-3600T on a panel where a PL-69** unit was installed. However, PL-3600T's depth(D size in external dimension) is thicker than PL-69** Series' depth, so make enough room in where PL-3600T is installed.

Besides, if you use these attachment brackets to install a PL unit, a protective effect equivalent to IP65f is disabled. If you need it effective, do not use the brackets.

3.5 Printer, PS/2, Floppy Disk Drive Interface

To connect a printer, keyboard, mouse, or floppy disk driver, the peripheral must be USB-compliant.

A Centronics-interfaced printer can be connected by using a commercially available Centronics-USB converter.

3.6 RAS Interface

The RAS interfaces on PL-3600T and PS-365*A (PS365*A-T42) are female 9-pin D-Sub ports and that of the PL-69** series unit is a male 25-pin D-Sub port. Because of the different pin-outs and shapes of the ports, you need to rewire the cable.

3.7 Hard Disk

PL-3600T and PS-365*A are different in hard disk interface standard from the PL-69** series. The type of OS preinstalled hard disk needs to be one for PL-3600T/PS-365*A.

3.8 DVI-I Interface

A DVI monitor cannot be connected for dual-monitoring outputting from PL-3600T. Connect an analog RGB monitor via an RGB conversion cable.

3.9 Expansion Slot

PL-3600T and PS-365*A do not support the ISA bus.

2 slots or 4 slots for PCI bus slot can be chosen from the BTO menu of PL-3600T. For the details, contact your nearest Pro-face office or local distributor.

3.10 COM2 and RAS Connectors on PS-365*A

The COM2 port and the RAS port on PS-365*A are mutually exclusive as follows:

	COM2 port	RAS port
PS-365*A (PS365*A-T42)	No	Yes
PS-365*A (PS365*A-T42S)	Yes	No

3.11 PCMCIA Slot

PL-3600T doesn't have a PCMCIA slot. To use a PCMCIA card, connect an expansion board compatible with PCMCIA/Card bus to the PCI bus.

3.12 Optional Products

The following optional products for PL69**T can be also used with PL-3600T or PS-365*A:

Optional product	Model	Description
CF Card	CA3-CFCALL/128MB-01	TYPE1 128MB
	CA3-CFCALL/256MB-01	TYPE1 256MB
	CA3-CFCALL/512MB-01	TYPE1 512MB
	CA6-CFCALL/1GB-01	TYPE1 1GB
RS-232C/RS-485 Conversion unit *	PL-RC500	Converts the RS-232C interface to the RS-485 interface.
Hub	SPIDER8TX-PRO	Industrial Ethernet hub DC24V
Installation fastener	CA3-ATFALL-01	Used for installation of a PL unit.

* The RS-232C/RS-485 conversion unit can be used on an RS-232C interface which supports RI/+5V changeover.

Chapter 4. Compatibility of Software

4.1 Compatibility of MS-DOS

PL-3600T and PS-365*A are not compatible with MS-DOS.

4.2 Compatibility of Windows

While software for the PL-69** is not available with PL-3600T or PS-365*A, other software of similar quality, such as mouse emulator, is available. → See 4.4

Software created referring to API-DLL needs to be reprogrammed in the DDL file for PL-3600T/PS-365*A. For the setups of the operating system and the software for PL-3600T/PS-365*A, see the following manual:

In case of hard disk without an operating system, it is necessary for you to download the software for PL-3600T/PS-365*A. Download the program from the following PL/PS series download page. For installation of software to hard disk, connection of a CD/DVD-ROM drive is required.

For the setup, refer to "Connection of CD/DVD-ROM drive, Setup procedures".

For shift of general Windows software, conform to the software's operation environment.

■ Setups of OS and software for PL

Model	Manual	URL	Page
PL-3600T	PL3000 Series Reference Manual	http://www.pro-face.com/otasuke/files/manual/pl_hard/PL3000_eng.pdf#page=14	14
PS-365*A	PS3650A/PS3651A Series Reference Manual	http://www.pro-face.com/otasuke/files/manual/pdf/PS-365XA_eng.pdf#page=8	8

■ PL/PS series download page

Model	URL
PL-3600T	http://www.pro-face.com/otasuke/download/pl/pl3000/pl3000_series.htm
PS-365*A	http://www.pro-face.com/otasuke/download/ps/psa/ps365xa_t42_series.htm

■ Connection of CD/DVD-ROM drive, Setup procedures

Model	Manual	URL	Page
PL-3600T	PL3000 Series Reference Manual	http://www.pro-face.com/otasuke/files/manual/pl_hard/PL3000_eng.pdf#page=8	8

PS-365*A	PS3650A / PS3651A Series Reference Manual	http://www.pro-face.com/otasuke/files/manual/pdf/PS-365XA_eng.pdf#page=6	6
----------	--	---	---

4.3 Supported Operating Systems

Operating systems each model supports are as follows:

Model	OS									
	MS-DOS	Win95	Win98SE	WinNT	Win2000		Win XP		Win XPE	
					E/J	ML	E/J	ML	E/J	ML
PL-690*T	No	Yes	No	Yes	No	No	No	No	No	No
PL-692*T	No	Yes	Yes	Yes	Yes	Yes	Yes	No	No	No
PL-693*T	No	No	No	No	Yes	Yes	Yes	Yes	Yes	Yes
PL-3600T	No	No	No	No	Yes *1	Yes *1 *2	Yes	Yes	No	Yes
PS-365*A	No	No	No	No	No	No	Yes	Yes	No	Yes

*1: OS preinstalled SSD units are not sold.

*2: OS preinstalled HDD units for the Core Duo CPU are not sold.

4.4 Comparison of Applicable Programs

Model	OS	Graphic Accelerator driver	Audio	Keyboard Emulator	RAS	LAN	Chipset	ATA	Backlight Saver
PL-690*T	Win95	Yes	No	Yes	Yes	No	No	No	Yes
	WinNT	Yes	No	Yes	Yes	No	No	No	Yes
PL-692*T	Win95	Yes	No	Yes	Yes	Yes	No	Yes	Yes
	Win98SE	Yes	No	Yes	Yes	Yes	Yes	Yes	Yes
	WinNT	Yes	No	Yes	Yes	Yes	Yes	No	Yes
	Win2000	Yes	No	Yes	Yes	Yes	Yes	Yes	Yes
	WinXP	Yes	No	Yes	Yes	Yes	Yes	Yes	Yes
PL-693*T	Win2000	Yes	Yes	Yes	Yes	No	Yes	No	Yes
	WinXP	Yes	Yes	Yes	Yes	No	Yes	No	Yes
	WinXPE	No	No	Yes	Yes	No	No	No	Yes
PL-3600T	Win2000	Yes	Yes	Yes	Yes	Yes	Yes	No	Yes
	WinXP	Yes	Yes	Yes	Yes	Yes	Yes	No	Yes
	WinXPE	No	No	Yes	Yes	No	No	No	Yes
PS-365*A	WinXP	Yes	Yes	Yes	Yes	Yes	Yes	Yes	Yes
	WinXPE	No	No	Yes	Yes	No	No	No	Yes